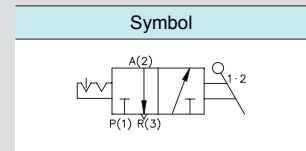


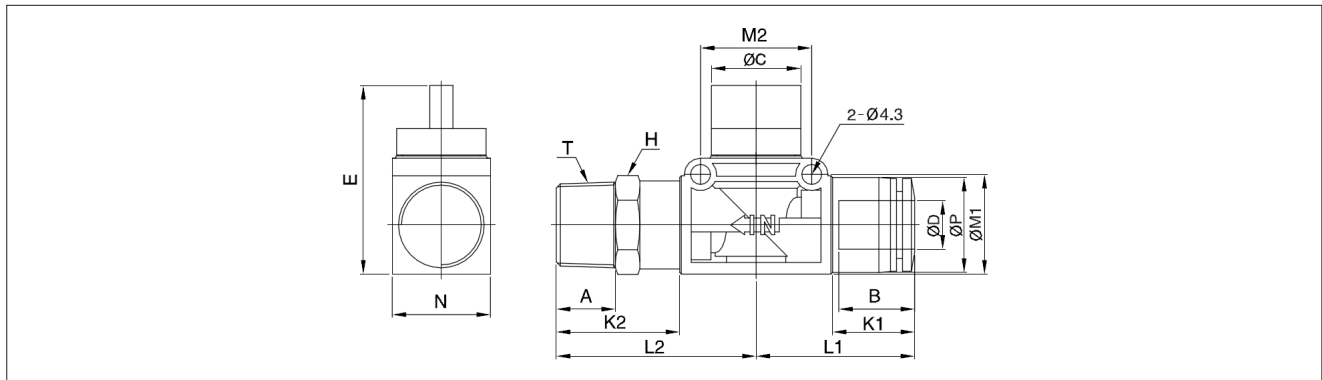
KHVC series



Outlet Port - Male Thread
Inlet Port - Tube Connection



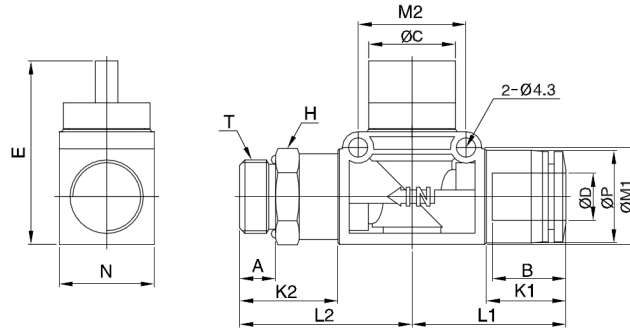
Dimensions (R(PT) Thread)



Unit : mm

Model	ØD1	T	ØP	H (Hex)	ØC	N	E	A	B	K1	K2	L1	L2	M1	M2	Weight (g)	Box (EA)
KHVC06-01	6	R(PT) 1/8	12.5	14	16.5	18.0	40.5	8.0	17.6	12.2	21.6	26.2	35.6	18.3	19.0	34.7	25
KHVC06-02		R(PT) 1/4		14				10.0			24.6		38.6			38.7	25
KHVC06-03		R(PT) 3/8		17				11.0			25.6		39.6			46.7	25
KHVC08-01	8	R(PT) 1/8	14.8	14	16.5	18.0	40.5	8.0	18.7	13.0	21.6	27.5	35.6	18.3	19.0	34.7	25
KHVC08-02		R(PT) 1/4		14				10.0			24.6		38.6			38.7	25
KHVC08-03		R(PT) 3/8		17				11.0			25.6		39.6			46.7	25
KHVC10-02	10	R(PT) 1/4	17.5	17	19.3	21.2	41.0	10.0	19.6	14.5	23.0	31.0	39.5	21.5	24.0	57.2	20
KHVC10-03		R(PT) 3/8		17				11.0			24.0		40.5			61.2	20
KHVC10-04		R(PT) 1/2		21				14.0			27.0		43.5			80.2	20
KHVC12-02	12	R(PT) 1/4	20.5	19	19.3	21.2	41.0	10.0	21.9	17.7	24.6	34.2	41.1	21.5	24.0	69.1	20
KHVC12-03		R(PT) 3/8		19				11.0			25.6		42.1			67.1	20
KHVC12-04		R(PT) 1/2		21				14.0			28.6		45.1			79.1	20

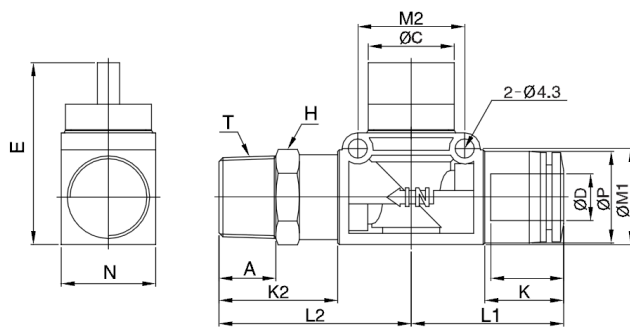
Dimensions (G Thread)



Unit : mm

Model	ØD1	T	ØP	H (Hex)	ØC	N	E	A	B	K1	K2	L1	L2	M1	M2	Weight (g)	Box (EA)
KHVC06-G01	6	G 1/8	12.5	14	16.5	18.0	40.5	5.0	17.6	12.2	18.6	26.2	32.6	18.3	19.0	32.7	25
KHVC06-G02		G 1/4		17				6.5			20.1		34.1			39.7	
KHVC06-G03		G 3/8		20				6.5			20.1		34.1			42.7	
KHVC08-G01	8	G 1/8	14.8	14	16.5	18.0	40.5	5.0	18.7	13.0	18.6	27.5	32.6	18.3	19.0	33.7	25
KHVC08-G02		G 1/4		17				6.5			20.1		34.1			39.7	
KHVC08-G03		G 3/8		20				6.5			20.1		34.1			44.7	
KHVC10-G02	10	G 1/4	17.5	17	19.3	21.2	41.0	6.5	19.6	14.5	18.5	31.0	35.0	21.5	24.0	50.2	20
KHVC10-G03		G 3/8		20				6.5			18.5		35.0			57.2	
KHVC10-G04		G 1/2		24				8.0			20.0		36.5			70.2	
KHVC12-G02	12	G 1/4	20.5	19	19.3	21.2	41.0	6.5	21.9	17.7	20.1	34.2	36.6	21.5	24.0	60.1	20
KHVC12-G03		G 3/8		20				6.5			20.1		36.6			61.1	
KHVC12-G04		G 1/2		24				8.0			21.6		38.1			73.1	

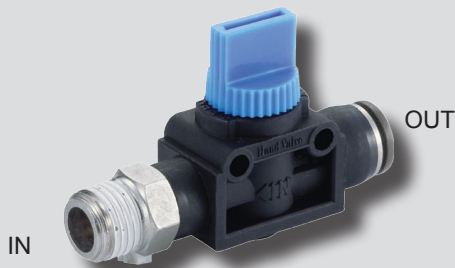
Dimensions (NPT Thread)



Unit : mm

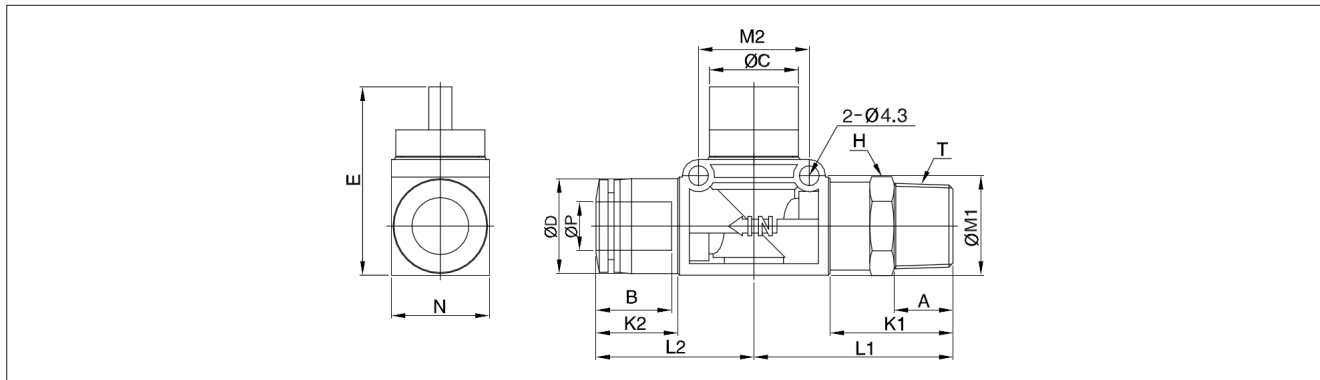
Model	ØD1 (INCH)	T	ØP	H (Hex)	ØC	N	E	A	B	K1	K2	L1	L2	M1	M2	Weight (g)	Box (EA)
KHVC1/4-N1	1/4	NPT 1/8	12.6	9/16	16.5	18.0	40.5	8.5	17.7	12.5	23.1	26.5	37.1	18.3	19.0	30.7	25
KHVC1/4-N2		NPT 1/4		9/16				10.5			25.1		39.1			38.7	
KHVC1/4-N3		NPT 3/8		11/16				11.5			26.1		40.1			45.7	
KHVC5/16-N1	5/16	NPT 1/8	14.8	9/16	16.5	18.0	40.5	8.5	19.1	13.9	23.1	27.9	37.1	18.3	19.0	34.7	25
KHVC5/16-N2		NPT 1/4		9/16				10.5			25.1		39.1			38.7	
KHVC5/16-N3		NPT 3/8		11/16				11.5			26.1		40.1			46.7	
KHVC3/8-N2	3/8	NPT 1/4	17.5	11/16	19.3	21.2	41.0	10.5	19.7	14.4	23.5	30.9	40.0	21.5	24.0	60.2	20
KHVC3/8-N3		NPT 3/8		11/16				11.5			24.5		41.0			77.2	
KHVC3/8-N4		NPT 1/2		7/8				14.5			27.5		44.0			74.2	
KHVC1/2-N2	1/2	NPT 1/4	21.0	3/4	19.3	21.2	41.0	10.5	23.2	17.8	25.1	34.3	41.6	21.5	24.0	69.0	20
KHVC1/2-N3		NPT 3/8		3/4				11.5			26.1		42.6			84.0	
KHVC1/2-N4		NPT 1/2		7/8				14.5			29.1		45.6			89.0	

KHVF series



Outlet Port - Tube Connection
Inlet Port - Male Thread

Dimensions (R(PT) Thread)



Unit: mm

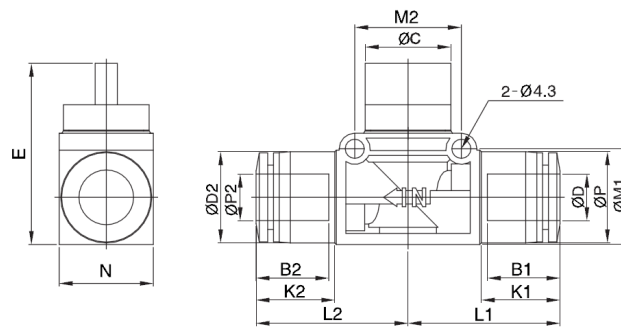
Model	ØD1	T	ØP	H (Hex)	ØC	N	E	A	B	K1	K2	L1	L2	M1	M2	Weight (g)	Box (EA)
KHVF06-01	6	R(PT) 1/8	12.5	14	16.5	18.0	40.5	8.0	17.6	21.6	12.2	35.6	26.2	18.3	19.0	34.7	25
KHVF06-02		R(PT) 1/4		14				10.0				38.6					
KHVF06-03		R(PT) 3/8		17				11.0				39.6					
KHVF08-01	8	R(PT) 1/8	14.8	14	16.5	18.0	40.5	8.0	18.7	21.6	13.0	35.6	27.5	18.3	19.0	34.7	25
KHVF08-02		R(PT) 1/4		14				10.0				38.6					
KHVF08-03		R(PT) 3/8		17				11.0				39.6					
KHVF10-02	10	R(PT) 1/4	17.5	17	19.3	21.2	41.0	10.0	19.6	23.0	14.5	39.5	31.0	21.5	24.0	57.2	20
KHVF10-03		R(PT) 3/8		17				11.0				40.5					
KHVF10-04		R(PT) 1/2		21				14.0				43.5					
KHVF12-02	12	R(PT) 1/4	20.5	19	19.3	21.2	41.0	10.0	21.9	24.6	17.7	41.1	34.2	21.5	24.0	69.1	20
KHVF12-03		R(PT) 3/8		19				11.0				42.1					
KHVF12-04		R(PT) 1/2		21				14.0				45.1					

KHVU series



Inlet Port - Tube Connection
Outlet Port - Tube Connection

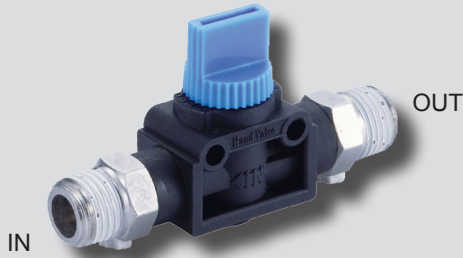
Dimensions (METRIC)



Unit: mm

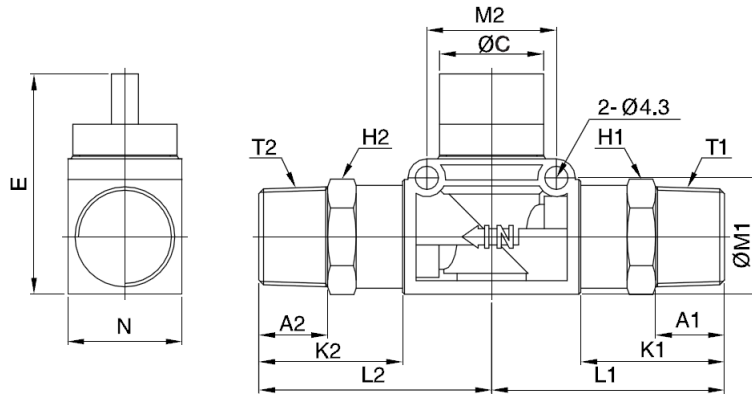
Model	ØD1	ØD2	ØP1	ØP2	ØC	N	E	B1	B2	K1	K2	L1	L2	M1	M2	Weight (g)	Box (EA)
KHVU06-06	6	6	12.5	12.5	16.5	18.0	40.5	17.6	17.6	12.2	12.2	26.2	26.2	18.3	19.0	23.4	25
KHVU08-06	8	6	14.8	12.5	16.5	18.0	40.5	18.7	17.6	13.0	12.2	27.5	26.2	18.3	19.0	23.4	25
KHVU08-08		8		14.8					18.7		13.0		27.5			24.4	25
KHVU10-08	10	8	17.5	14.8	19.3	21.2	41.0	19.6	18.7	14.5	13.0	31.0	27.5	21.5	24.0	37.9	20
KHVU10-10		10		17.5					19.6		14.5		31.0			38.4	20
KHVU12-10	12	10	20.5	17.5	19.3	21.2	41.0	21.9	19.6	17.7	14.5	34.2	31.0	21.5	24.0	41.3	20
KHVU12-12		12		20.5					21.9		17.7		34.2			46.2	20

KHVM series



Inlet Port - Male Thread
Outlet Port - Male Thread

Dimensions (R(PT) Thread)



Unit: mm

Model	T1	T2	H1 (Hex)	H2 (Hex)	ØC	N	E	A1	A2	K1	K2	L1	L2	M1	M2	Weight (g)	Box (EA)
KHVM01-01	R(PT)1/8	R(PT)1/8	14	14	16.5	18.0	40.5	8.0	8.0	21.6	21.6	35.6	35.6	18.3	19.0	45.0	25
KHVM02-01	R(PT)1/4	R(PT)1/8	14	14	16.5	18.0	40.5	10.0	8.0	24.6	21.6	38.6	35.6	18.3	19.0	48.0	25
KHVM02-02		R(PT)1/4		14				10.0	10.0		24.6		38.6				
KHVM03-02	R(PT)3/8	R(PT)1/4	17	17	19.3	21.2	41.0	11.0	10.0	24.0	24.6	40.5	38.6	21.5	24.0	80.0	20
KHVM03-03		R(PT)3/8		17				11.0	11.0		24.0		40.5				
KHVM04-03	R(PT)1/2	R(PT)3/8	21	19	19.3	21.2	41.0	14.0	11.0	28.6	24.0	45.1	40.5	21.5	24.0	102.0	20
KHVM04-04		R(PT)1/2		21				14.0	14.0		28.6		45.1				