

# KMC series



### Features

- Noise reduction:  $\geq 35\text{dB(A)}$
- Remove  $\geq 99.9\%$  oil mist

### Symbol



## How to Order

KMC 220 - 02 B

①                      ②                      ③                      ④

### ① Series

KMC	Exhaust cleaner
-----	-----------------

### ② Body size

220	1/4
320	3/8
420	1/2

### ③ Port size

02	Rc(PT) 1/4
03	Rc(PT) 3/8
04	Rc(PT) 1/2

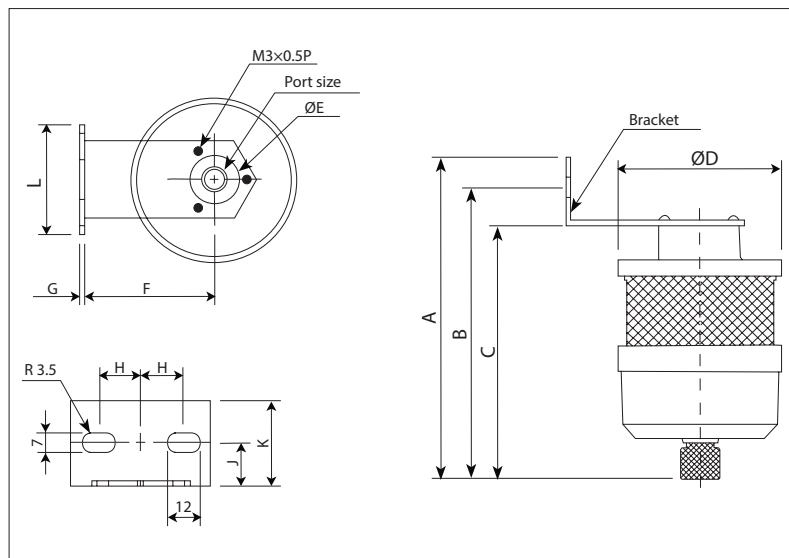
### ④ Option

B	With bracket
---	--------------

## Specifications

Fluid	Compressed air
Ambient & fluid temperature	5~60°C
Element inlet pressure	$\leq 1\text{kgf/cm}^2$ (0.12MPa)
Noise reduction	$\geq 35\text{dB(A)}$
Oil mist removal	$\geq 99.9\%$
Return oil exhaustion	Drain coke
Option	Bracket
Weight	358g

## Dimensions



Model	Port size	A	B	C	D	E	F	G	H	J	K	L
KMC220	Rc(PT) 1/4											
KMC320	Rc(PT) 3/8	150	134.5	119	75.5	22	56	2	15	15.5	31	50
KMC420	Rc(PT) 1/2											

Accessory

SAS

KAN

SL

AIR VENT

JASN

KMC

AFE

SSJ/SFJ

JAH

JF

DISTRIBUTOR