

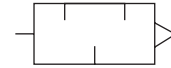
KAN series



Features

- Excellent noise reduction effect.
- Noise reduction up to 20 dB(A)
- Silencer with low ventilation resistance.

Symbol



How to Order

① KAN ② 500 - ③ 06

① Series

KAN	Mass flow steel silencer
-----	--------------------------

② Body size

500	3/4
600	1
700	1 1/4
800	1 1/2
900	2

③ Port size

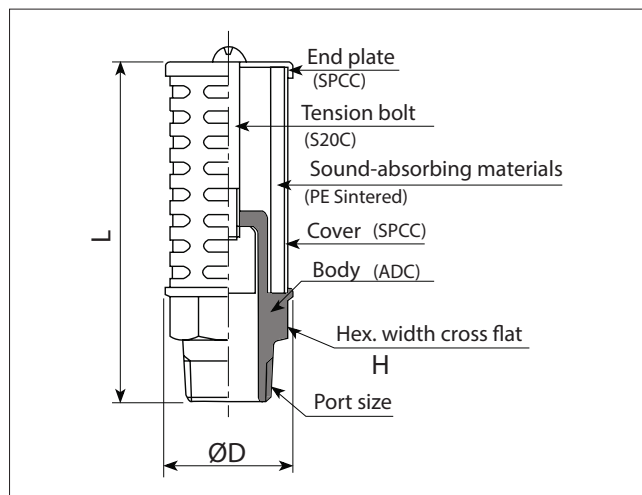
06	R(PT) 3/4
10	R(PT) 1
12	R(PT) 1 1/4
14	R(PT) 1 1/2
20	R(PT) 2

Specifications

Fluid	Compressed air
Max. working pressure	10.2kgf/cm ² (1.02MPa)
Noise reduction	≥ 20dB(A)
Ambient & fluid temperature	5~60°C

Model	Effective area (mm ²)	Weight (g)
KAN500-06	160	160
KAN600-10	270	204
KAN700-12	440	476
KAN800-14	590	578
KAN900-20	960	866

Structure & Dimensions



Model	Port size	L	D	H
KAN500-06	R(PT) 3/4	107	46	35
KAN600-10	R(PT) 1	130	50	40
KAN700-12	R(PT) 1 1/4	199	74	55
KAN800-14	R(PT) 1 1/2	233	74	61
KAN900-20	R(PT) 2	260	86	70

Accessory

SAS

KAN

SL

AIR VENT

JASN

KMC

AFE

SSJ/SFJ

JAH

JF

DISTRIBUTOR