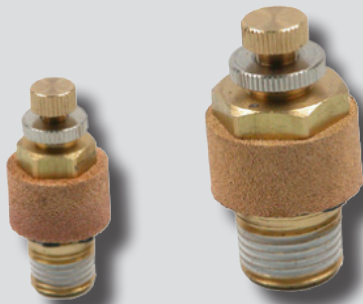


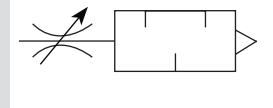
JASN series



Features

- 20dB(A) noise reduction effect at a max. flow.
- Easy to control cylinder piston speed.
- Retainer prevents accidental loss of needle.

Symbol



How to Order

JASN - 01

① ②

① Series

JASN	Speed controller with silencer
------	--------------------------------

② Port size

M5	M5×0.8
01	R(PT) 1/8
02	R(PT) 1/4
03	R(PT) 3/8
04	R(PT) 1/2

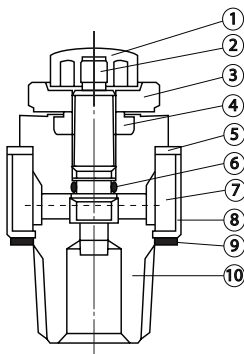
Specifications

Proof pressure	15kgf/cm ² (1.5MPa)
Working pressure	0~10kgf/cm ² (0~1.0MPa)
Ambient & fluid temperature	-5~60°C(No freezing)
Filtration	40μm
Number of needle rotation	10 turns (Note)8 turns

Note) () indicates JASN-M5

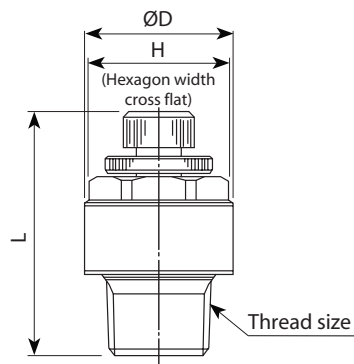
Model	JASN-M5	JASN-01	JASN-02	JASN-03	JASN-04
Effective area (mm ²)	1.8	3.6	6.5	16.6	24.5
Weight (g)	8	24	44	84	132

Structure



Part no.	Parts	Material	Remarks
1	Handle	PBT	-
2	Needle	Brass	Electroless Nickel plating
3	Lock nut	Steel	Electroless Nickel plating
4	Needle guide	Brass	Electroless Nickel plating
5	Washer	Carbon steel	Nickel plating
6	O-Ring	NBR	-
7	Sound-absorber material	PVA sponge	-
8	Silencer cover	Soft Polyethelene	-
9	Body B	Brass	Electroless Nickel plating
10	Gasket	NBR/SUS304	Only for M5 type

Dimensions



Model	Port size	ØD	L		H
			Min	Max	
JASN-M5	M5×0.8	10	29	32	8
JASN-01	R(PT) 1/8	15	35.5	42	12
JASN-02	R(PT) 1/4	20	42	48.5	14
JASN-03	R(PT) 3/8	25	46	53	19
JASN-04	R(PT) 1/2	30	51	60	24