

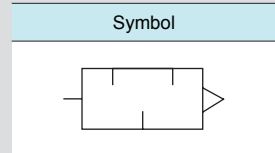
AIR VENT series



Features

- More compact than conventional type.
- Applicable in narrow space such as gear box, tank, and single acting cylinder.

Symbol



How to Order

AIR VENT - 02

①

②

① Series

AIR VENT	Air vent
----------	----------

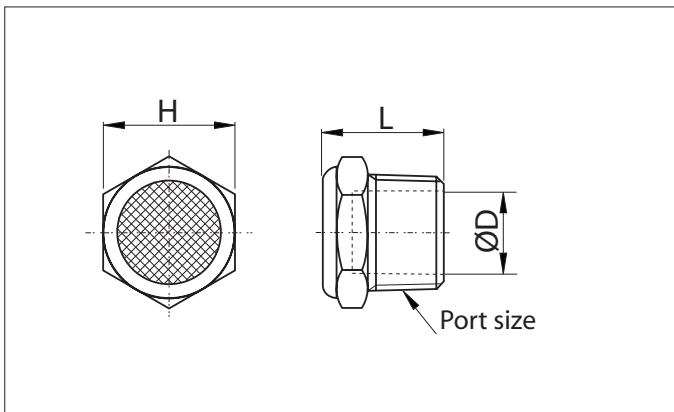
② Port size

M5	M5×0.8
01	R(PT) 1/8
02	R(PT) 1/4
03	R(PT) 3/8
04	R(PT) 1/2
06	R(PT) 3/4
08	R(PT) 1

Specifications

Model	AIR VENT-M5	AIR VENT-01	AIR VENT-02	AIR VENT-03	AIR VENT-04	AIR VENT-06	AIR VENT-08
Fluid	Compressed air						
Operating Pressure	10kgf/cm ² (1.0MPa)						
Temperature	-10~180℃						
Material	Sintered copper						
Filtration	40 μ m						
Weight	2.0g	5.3g	10.5g	16.9g	28.8g	39.1g	80.1g

Dimensions



Model	Port size	ØD	H	L
AIR VENT-M5	M5×0.8	2.5	9	9.0
AIR VENT-01	R(PT) 1/8	6.0	12	11.8
AIR VENT-02	R(PT) 1/4	8.5	15	15.3
AIR VENT-03	R(PT) 3/8	12.0	19	17.5
AIR VENT-04	R(PT) 1/2	14.5	22	20.3
AIR VENT-06	R(PT) 3/4	20.0	27	20.9
AIR VENT-08	R(PT) 1	26.0	36	24.8