

KPG series

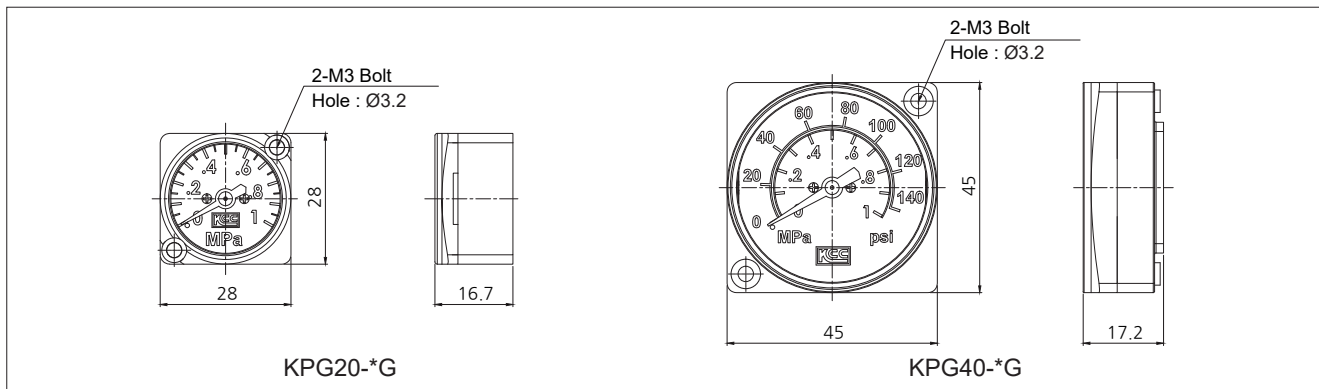


KPG40-10G(Internal gauge)



KPG40-10T(External gauge)

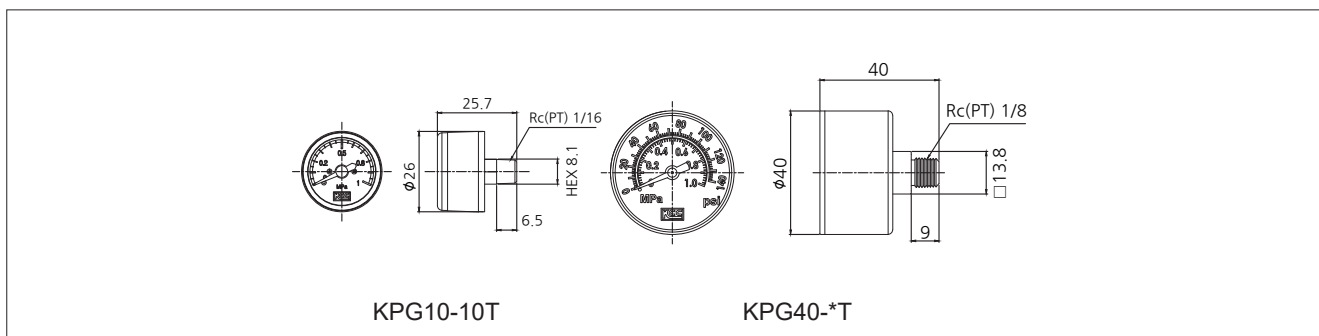
Dimensions(Internal, KPG-G)



Model	Regulating range	Body color	(Applied model)	Weight(g)
KPG20-10G	0~1.0MPa	Gray	KAR201, KAW201	14.5
KPG20-4G	0~0.4MPa	Gray	KAR201, KAW201	14.5
KPG40-10G	0~1.0MPa (0~140psi)	Gray	KAR301, KAW301, KAR401, KAW401, KAR601, KAW601	25
KPG40-4G	0~0.4MPa (0~60psi)	Gray	KAR301, KAW301, KAR401, KAW401, KAR601, KAW601	25

※ KPG20 Pressure display: only MPa. Unit: PSI, please contact the head office.

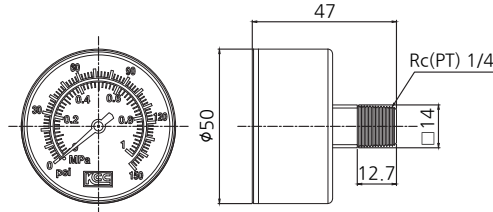
Dimensions(External, KPG10-T/KPG40-T/KVG40-T)



Model	Regulating range	Body color	(Applied model)	Weight(g)
KPG10-10T	0~1.0MPa	chrome	KAR101, KAW101	16
KPG40-2T	0~0.2MPa (0~30psi)	chrome	KAR201, KAW201, KAR301, KAW301	72
KPG40-4T	0~0.4MPa (0~60psi)	chrome	KAR201, KAW201, KAR301, KAW301	72
KPG40-10T	0~1.0MPa (0~140psi)	chrome	KAR201, KAW201, KAR301, KAW301	72
KPG40-20T	0~2.0MPa	chrome	KAR201-17K	72
KPG40-40T	0~4.0MPa	chrome	KAR201-27K	72
KVG40-1T	-10~0MPa	chrome	KVR201	72

(※ SUS pressure gauges are available for 1MPa and 0.4MPa, please contact the head office separately.)

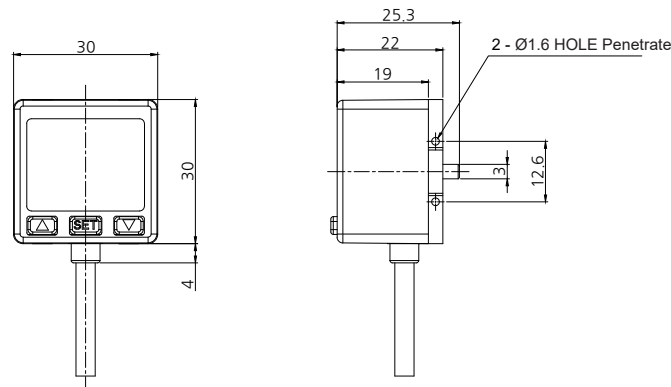
Dimensions(External, KPG50-T)



Model	Regulating range	Body color	(Applied model)	Weight(g)
KPG50-2T	0~0.2MPa (0~30psi)	chrome	KAR401, KAW401, KAR601, KAW601	128
KPG50-4T	0~0.4MPa (0~60psi)	chrome	KAR401, KAW401, KAR601, KAW601	128
KPG50-10T	0~1.0MPa (0~140psi)	chrome	KAR401, KAW401, KAR601, KAW601	128
KPG50-20T	0~2.0MPa	chrome	KAR301-17K, KA401-17K	128
KPG50-40T	0~4.0MPa	chrome	KAR301-27K, KA401-27K	128

(※ SUS pressure gauges are available for 1MPa and 0.4MPa, please contact the head office separately.)

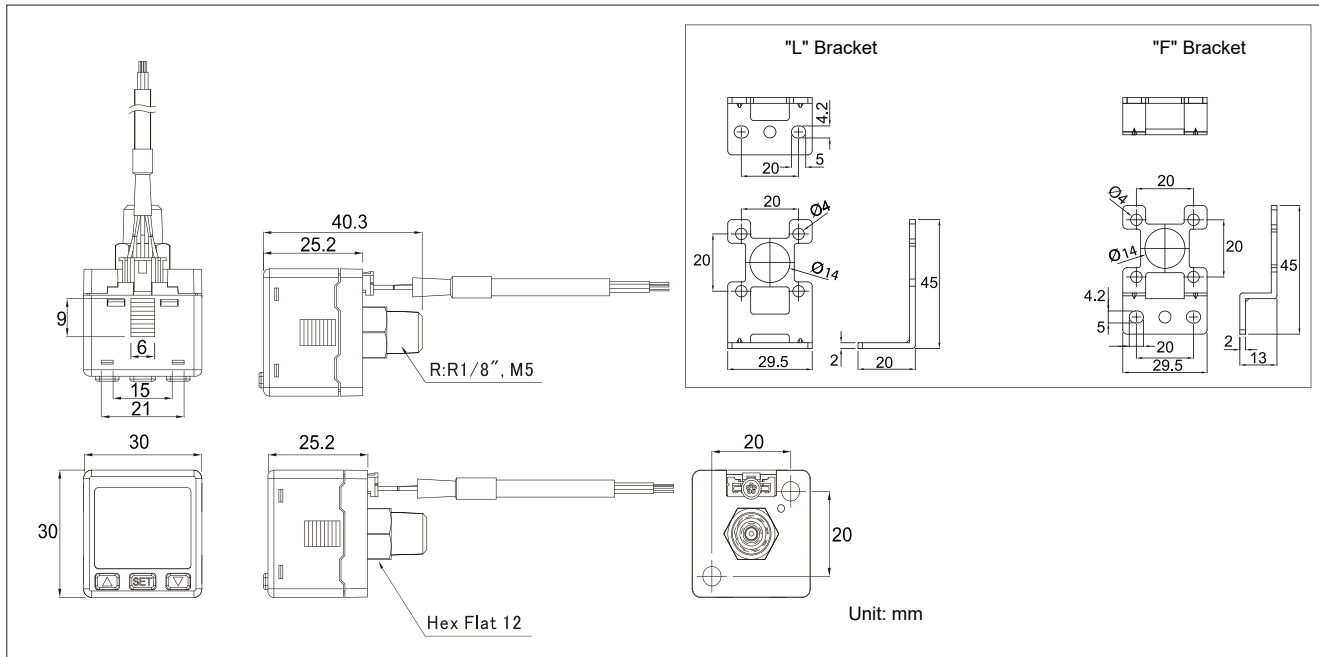
Dimensions(Digital pressure switch, KP41)



Model	Operating pressure	Power supply voltage	Response time	Switch output	Weight
KP41-041P	0.0~1.0MPa	12~24VDC (Ripple ±10% less)	50, 250, 500, 1000, 2000, 3000ms User selection	2 NPN or 2PNP Open Collector	65g(With 2m Lead wire) / 30g(Male thread connector)
KP41-041C	-1.0~10KPa				

※ For other detailed specifications, please refer to the KP41 catalog.

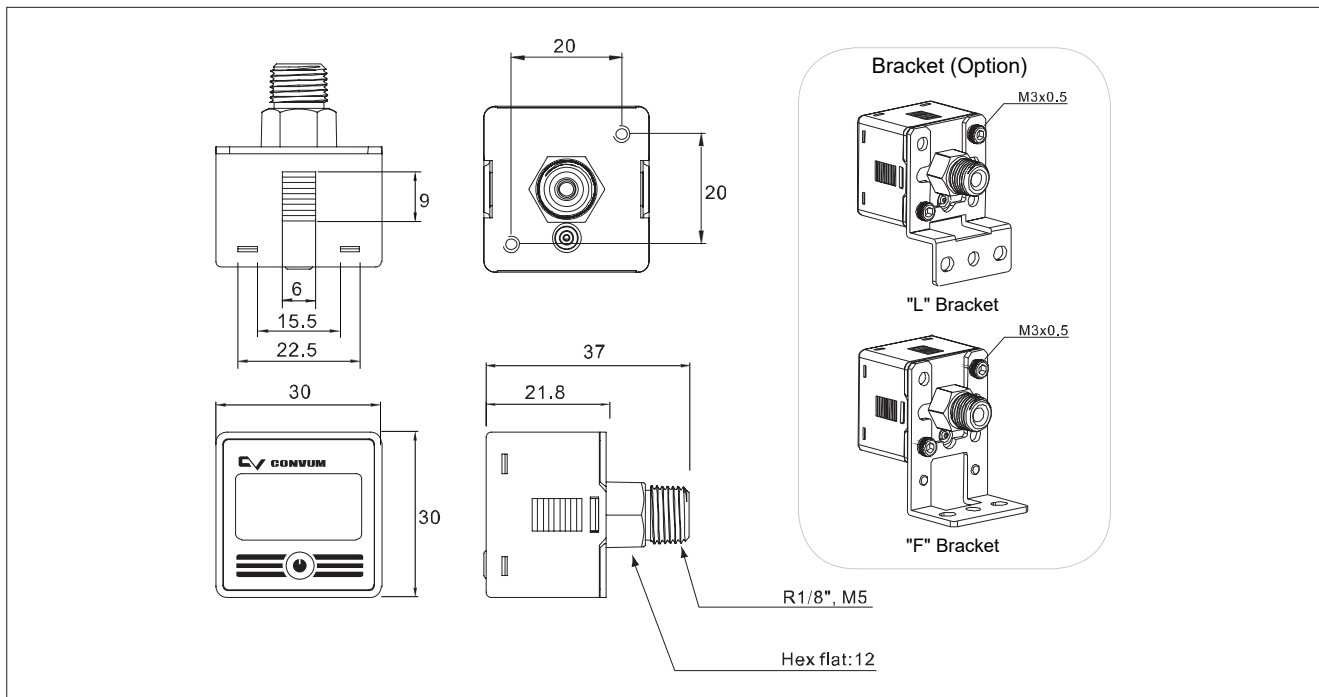
Dimensions(Digital pressure switch, MPS-35)



Model	Operating pressure	Power supply voltage	Response time	LCD display	Weight
MPS-P35	0.0~1.0MPa	12~24VDC (Ripple $\pm 10\%$ less)	$\leq 2.5\text{ms}$ (chattering-proof function: 25,100,250,500,1000,1500ms)	Three color(red,green,orange) display(Sampling rate: 5 times/1sec.)	80g (With 2m lead wire)
MPS-V35	-101.3~0.0KPa				
MPS-C35	-101.0~101.0KPa				

※ For other detailed specifications, please refer to the MPS-35 catalog.

Dimensions(Digital pressure switch, MPS-60)



Model	Operating pressure	Battery	Indicator accuracy	Repeat precision	Weight
MPS-P60DL-R1-J	-101.0~0.0KPa	CR2032 Lead-type lithium battery (About 1 year life span)	$\pm 2\%$ F.S ± 1 digit (ambient temperature:25 $\pm 3^\circ\text{C}$)	$\pm 2\%$ F.S. ± 1 digit	40g
MPS-V60DL-R1-J	0.0~1.0MPa			$\pm 1\%$ F.S. ± 1 digit	

※ For other detailed specifications, please refer to the MPS-60 catalog.