

KSPE-A series



Features

- Compact size for convenient installation
- Ease of pressure detection on the air line

Symbol



How to order

KSPE 20 A - 02 -

① ② ③ ④

① Model

KSPE	Pressure switch with spacer (for piping)
------	--

② Body size

20	1/4"
30	3/8"
40	1/2"
60	1"(Developing)

④ Lead wire length

Nil	1M(Standard)
L	3M
Z	5M

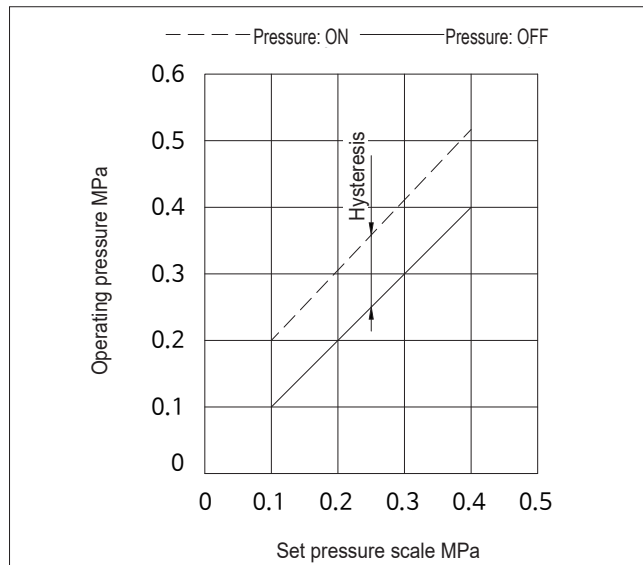
③ Port size

		Body size			
		20	30	40	60 (Developing)
01	Rc(PT)1/8"	•			
02	Rc(PT)1/4"	•	•		
03	Rc(PT)3/8"		•	•	
04	Rc(PT)1/2"			•	
06	Rc(PT)3/4"				•
10	Rc(PT)1"				•

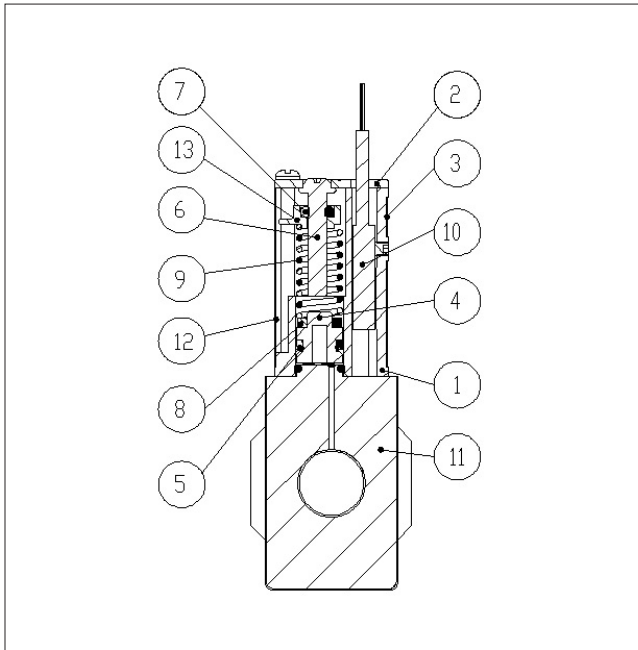
Specifications

Fluid	Compressed air	
Proof pressure	10kgf/cm ² (1.0MPa)	
Max. operating pressure	7kgf/cm ² (0.7MPa)	
Set pressure range	1~4kgf/cm ² (0.1~0.4MPa)	
Ambient & fluid temperature	-5 ~ 60°C	
Contact	1a	
Hysteresis	1.0kgf/cm ² (0.10MPa)	
drawing scale error	±0.5kgf/cm ² (0.05MPa)	
Repeatability	±0.5kgf/cm ² (0.05MPa)	
Lead wire length	1m Standard (Grommet type)	
Operating voltage	DC24V	AC110V
Operating current range	5~40mA	5~20mA

Pressure regulating range

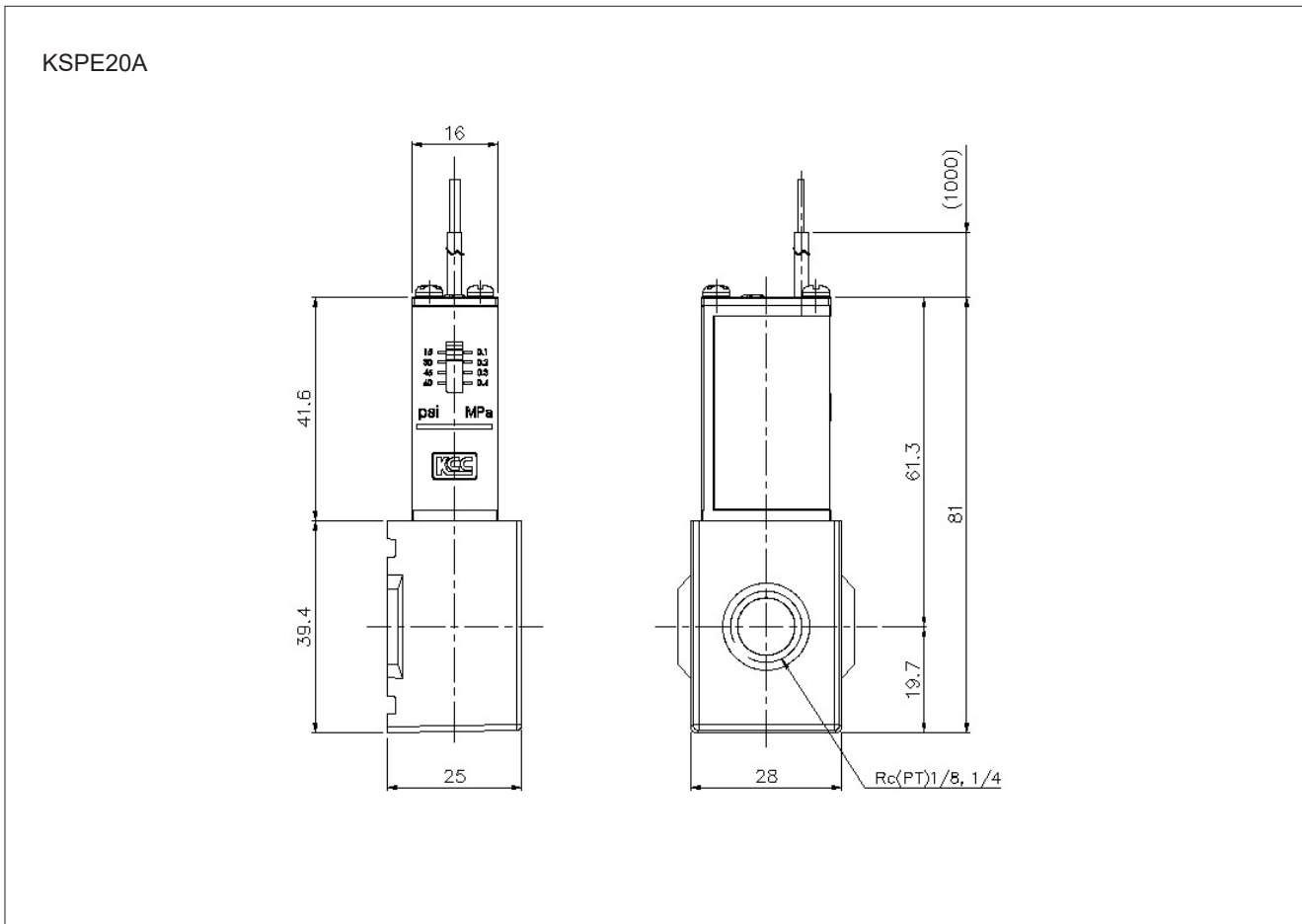


Structure



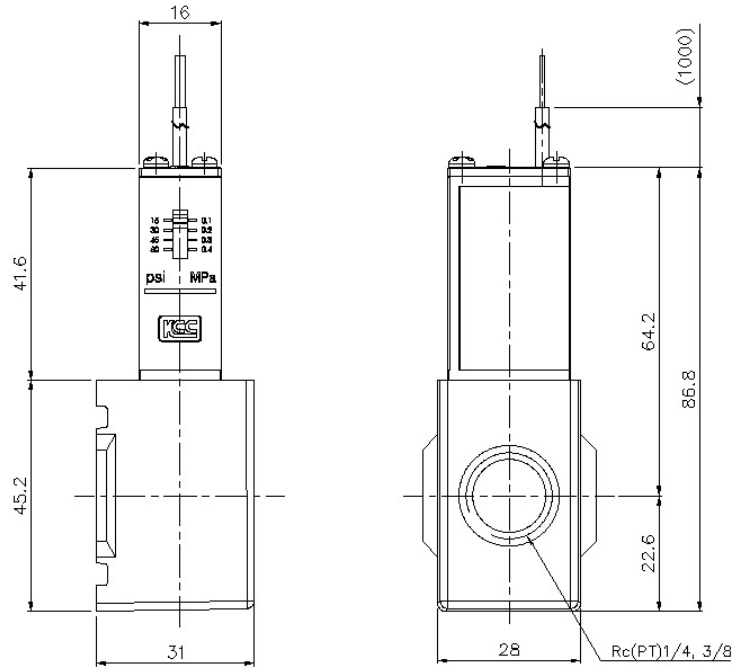
No	Parts	Material
1	BODY	ZnDC
2	COVER PLATE	SUS
3	BODY COVER	SUS
4	PISTON	POM
5	PISTON PACKING	NBR
6	ADJUSTMENT BOLT	BRASS
7	ADJUSTMENT NUT	BRASS
8	MAGNET	-
9	ADJUSTMENT SPRING	SUS
10	SWITCH ASSY	-
11	SPACER(For pipe)	ALDC
12	SCALE PLATE	PC
13	MOVER	RESIN

Dimensions



Dimensions

KSPE30A



KSPE40A

