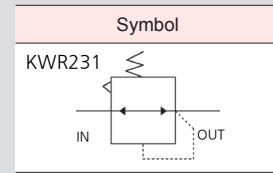


KWR231 series



KWR231-02BT



Feature

- Pressure regulation works smoothly.
- Compact design.

How to order

KWR 231 - 02 B T

① ② ③ ④ ⑤

① Series

KWR231	Rc(PT) 1/4"
--------	-------------

② Thread type

Nil	Rc(PT) Thread(Standard)
G	G Thread
N	NPT Thread

③ Port size

01	Rc(PT)1/8"
02	Rc(PT)1/4"

④ Bracket

Nil	None
B	Bracket + Nut(Standard)

※ The brackets are packed separately.

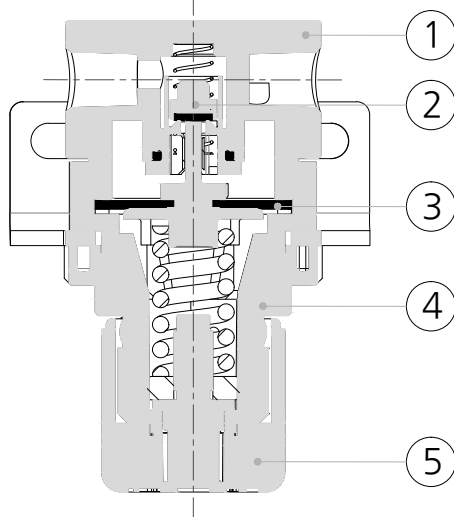
⑤ Pressure gauge

Nil	None
T	Circular pressure gauge

Specification

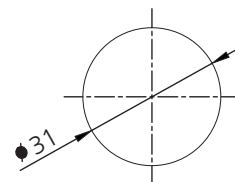
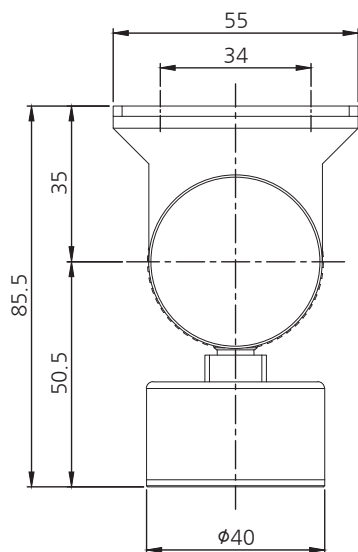
Fluid	Water
Proof pressure	1.5MPa
Max. operating pressure	0.8MPa
Regulating range	0.08~0.40MPa
Ambient temperature	-5 ~ 60℃(No freezing)
Fluid temperature	1 ~ 60℃
Pressure gauge port size	1/8
Structure	Non-relief type

Structure



No.	Parts	Material
1	Body	C3604
2	Valve	C3604
3	Diaphragm	EPDM
4	Bonnet	ACETAL
5	Handle	ACETAL

Dimensions



Mounting hole dimensions

