

# KAD402 series



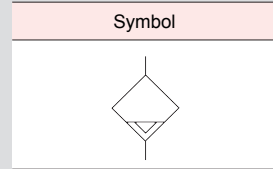
KAD402-04D



KAD402-04D-M



KAD402-04D-MS



Symbol

## How to order

KAD402 - ① ② ③ - ④

### ① Model

KAD402	Auto drain valve
--------	------------------

### ③ Auto drain

D	Drain port: Ø6 One touch fitting
---	----------------------------------

### ② Port size

02	Rc(PT)1/4" Female thread
03	Rc(PT)3/8" Male thread
04	Rc(PT)1/2" Female thread
R04	R(PT)1/2" Male thread
G04	G(PF)1/2" Male thread
M30	M30 Male thread

### ④ Bowl

Nil	Polycarbonate bowl + Nylon case
M	Metal bowl (long sight glass)
MS	Metal bowl (round sight glass)
L	Transparent sight nylon

## Specifications

Fluid	Compressed air
Max. operating pressure	1.0MPa
Min. operating pressure	0.15MPa
Proof pressure	1.5MPa
Ambient & fluid temperature	5 ~ 60°C
Drain port	Ø6 One touch fitting
Element life span	Pressure drop reach 0.1Mpa
Weight(g)	460

## Feature

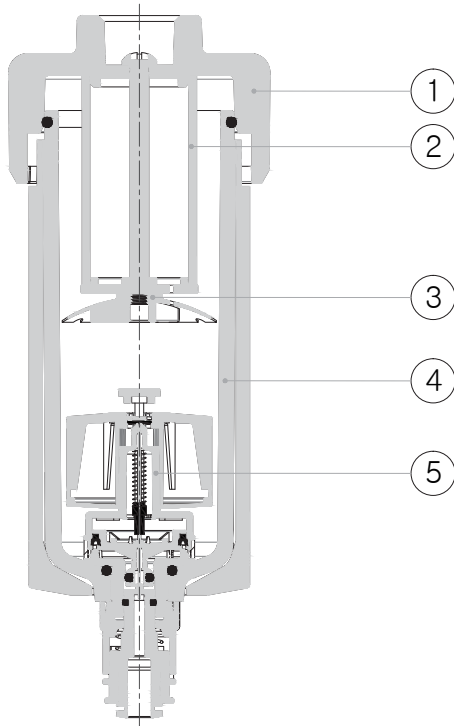
- The KAD402 series automatically discharges condensed impurities along with water from the compressed air line, eliminating the need for human hands.
- The KAD402 series is equipped with an auto drain that can be operated manually.

### ! Safety precaution

- For auto drain, the tube connected to the port should have diameter larger than Ø4 and max length 1m. Please avoid upward drainage connection.
- When auto drain is not functioning, manual draining can be done by rotating the manual handle counter-clockwise.
- For manual drain, drainage should be done before the liquid surpass the sight glass.
- Min. operation pressure for auto drain is 0.15MPa

**Structure**

KAD 402



No	Parts	Materials
1	Body	ALDC
2	Filter Element	PE
3	Baffle	PLASTIC
4	Bowl	PC
5	Auto drain Ass'y	-

**Dimensions**

