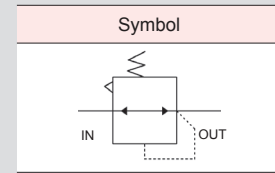


KAR-17K, 27K series



KAR201-02BT-17K

KAR401-04BT-27K



How to order

KAR201 - 02 B T - 27K
 ① ② ③ ④ ⑤ ⑥

① Series

KAR201	Rc(PT) 1/4"
KAR301	Rc(PT) 3/8"
KAR401	Rc(PT) 1/2"

② Thread type

Nil	Rc(PT) Thread(Standard)
G	G Thread
N	NPT Thread

③ Port size

		KAR-17K, 27K Series		
		201	301	401
02	Rc(PT) 1/4"	●		
03	Rc(PT) 3/8"		●	
04	Rc(PT) 1/2"			●

④ Bracket

Nil	None
B	Bracket + Nut(Standard)

※ The brackets are packed separately.

⑤ Pressure gauge

Nil	None
T	External gauge

⑥ Regulating range

17K	0.1 ~ 1.7MPa
27K	0.1 ~ 2.7MPa

Specification

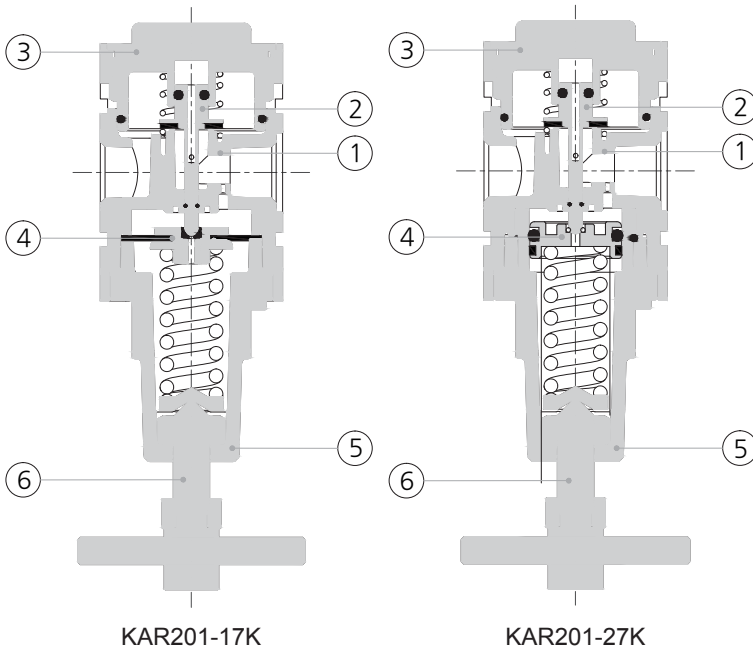
	KAR-17K(1.7MPa)	KAR-27K(2.7MPa)
Fluid	Air	
Operating pressure	Diaphragm type	Piston type
Proof pressure	2.5MPa	3.5MPa
Max. operating pressure	2.0MPa	3.0MPa
Regulating range	0.1 ~ 1.7MPa	0.1 ~ 2.7MPa
Ambient & fluid temperature	-5 ~ 60°C(No freezing)	
Structure	Relief	
Weight(g)	KAR201	260 270
	KAR301	654 660
	KAR401	935 950

※The product weight is the weight excluding pressure gauge, panel mount nut, L bracket.

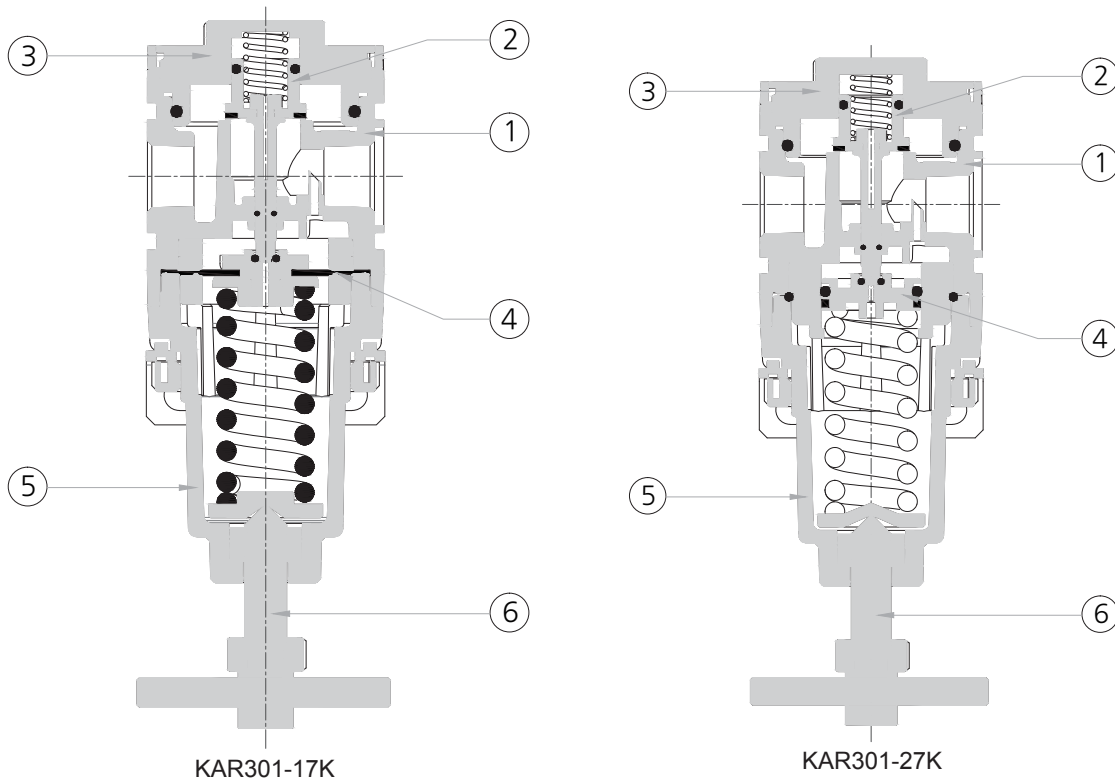
⚠ Precautions

1. Use clean, dry compressed air free of oil and foreign matter.
2. It is recommended to attach the oil mist filter to the supply side.

Structure



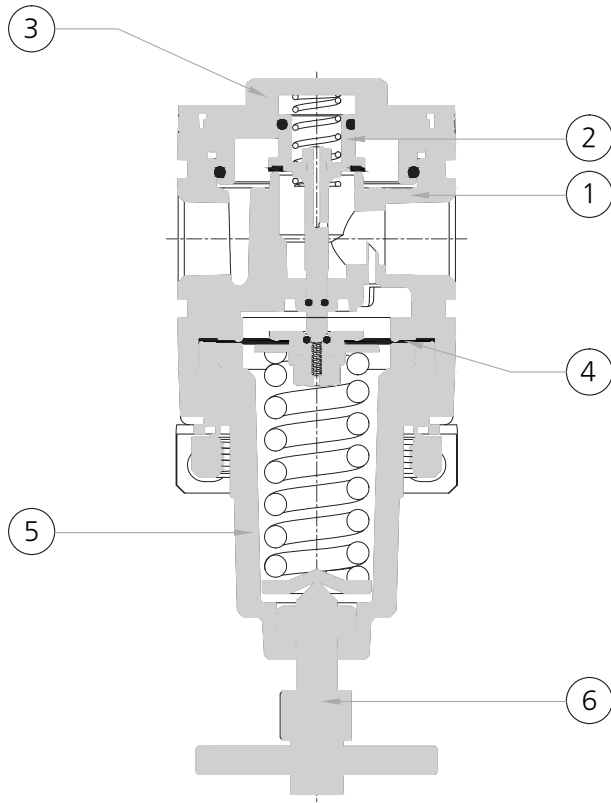
No.	Parts	Material
1	Body	ALDC
2	Valve	C3604
3	Valve guide	AL
4	17K Diaphragm	NBR
	27K Piston	C3604
5	Bonnet	ALDC
6	T-Handle	SM45C



No.	Parts	Material
1	Body	ALDC
2	Valve	C3604
3	Valve guide	AL
4	Diaphragm	NBR
5	Bonnet	ALDC
6	T-Handle	SM45C

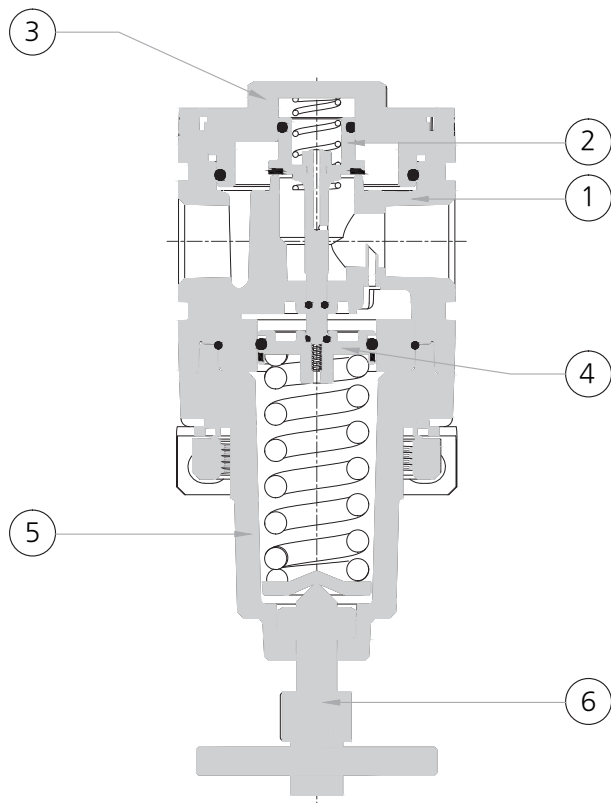
No.	Parts	Material
1	Body	ALDC
2	Valve	C3604
3	Valve guide	AL
4	Piston	C3604
5	Bonnet	ALDC
6	T-Handle	SM45C

Structure



KAR401-17K

No.	Parts	Material
1	Body	ALDC
2	Valve	C3604
3	Valve guide	AL
4	Diaphragm	NBR
5	Bonnet	ALDC
6	T-Handle	SM45C

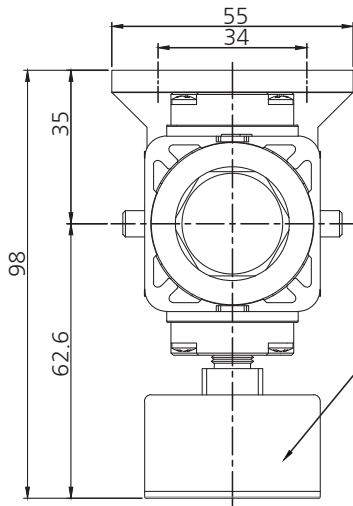


KAR401-27K

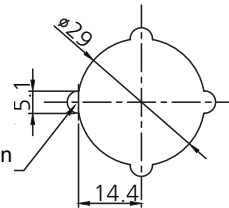
No.	Parts	Material
1	Body	ALDC
2	Valve	C3604
3	Valve guide	AL
4	Piston	C3604
5	Bonnet	ALDC
6	T-Handle	SM45C

Dimensions

KAR 201-17K, 27K

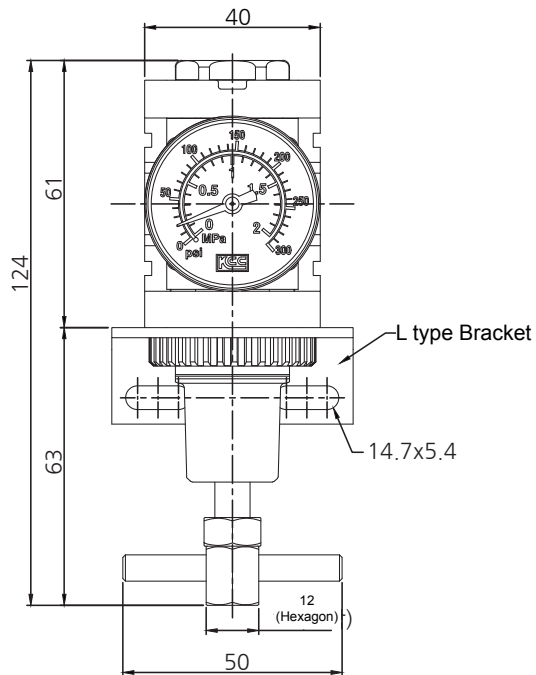


External gauge
KPG40-20T-PT 1/8



Depending on the installation location, it may be processed in one place only.

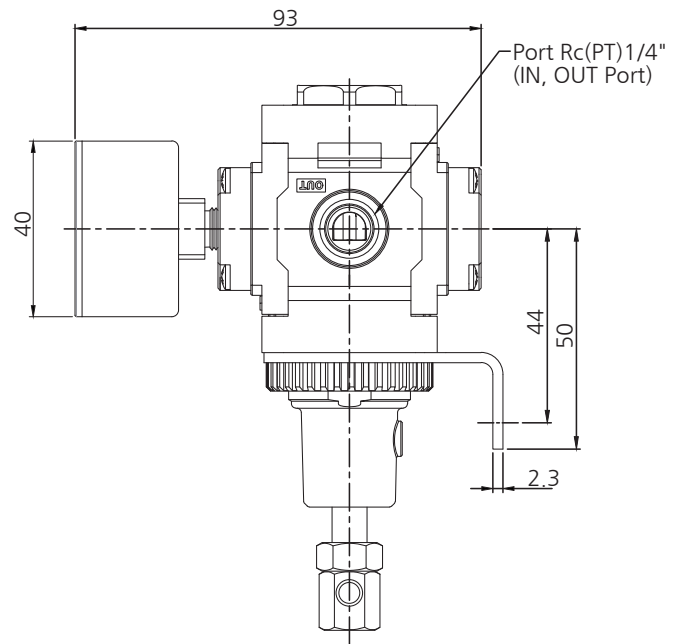
Panel Mounting Hole Dimensions



L type Bracket

14.7x5.4

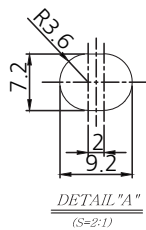
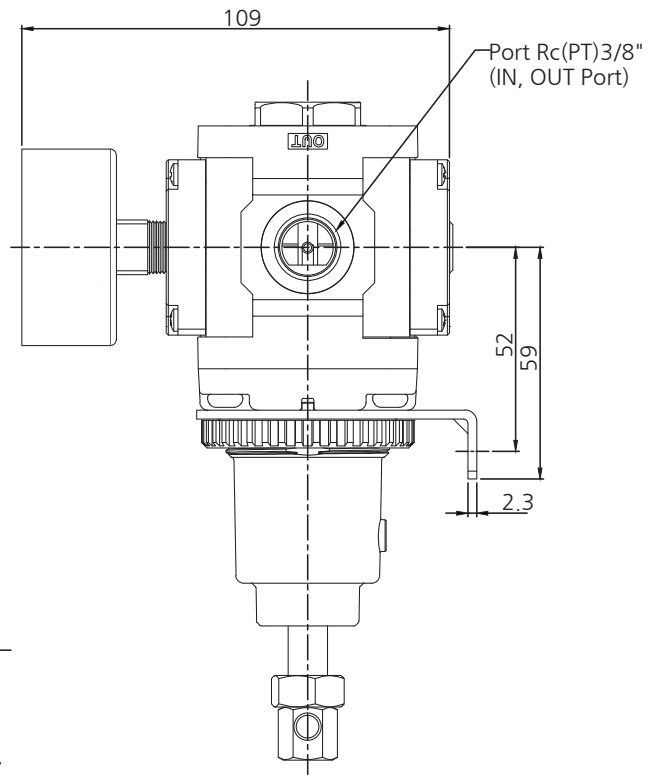
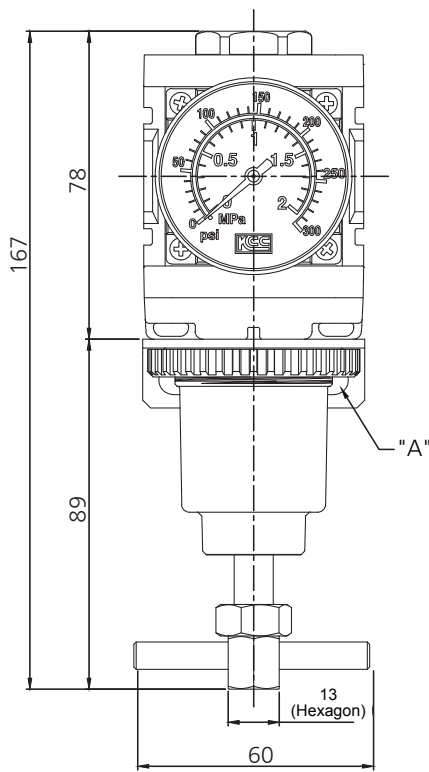
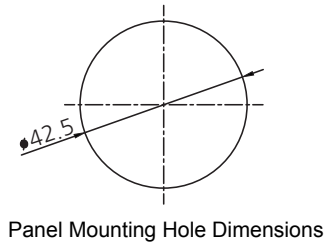
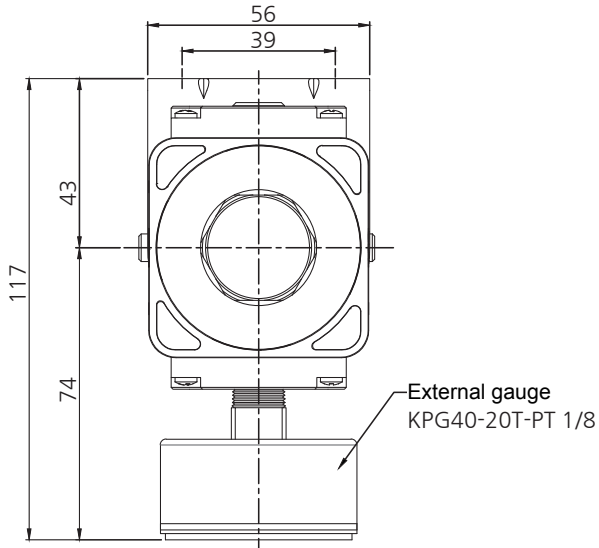
12
(Hexagon)



Port Rc(PT)1/4"
(IN, OUT Port)

Dimensions

KAR 301-17K, 27K



Dimensions

