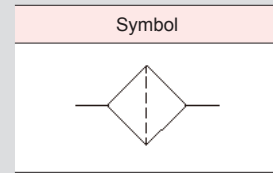


KVF series



KVF201-01



How to order

KVF201 - 02 B

① ② ③ ④

① Series

| | |
|--------|-------------|
| KVF201 | Rc(PT) 1/4" |
| KVF231 | Rc(PT) 1/4" |
| KVF301 | Rc(PT) 3/8" |
| KVF401 | Rc(PT) 1/2" |

② Thread type

| | |
|-----|-------------------------|
| Nil | Rc(PT) thread(Standard) |
| G | G thread |
| N | NPT thread |

③ Port Size

| | | KVF | | | |
|----|------------|-----|-----|-----|-----|
| | | 201 | 231 | 301 | 401 |
| 02 | Rc(PT)1/4" | • | • | | |
| 03 | Rc(PT)3/8" | | | • | |
| 04 | Rc(PT)1/2" | | | | • |

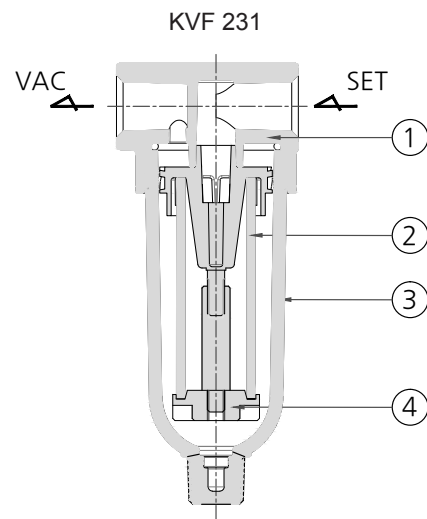
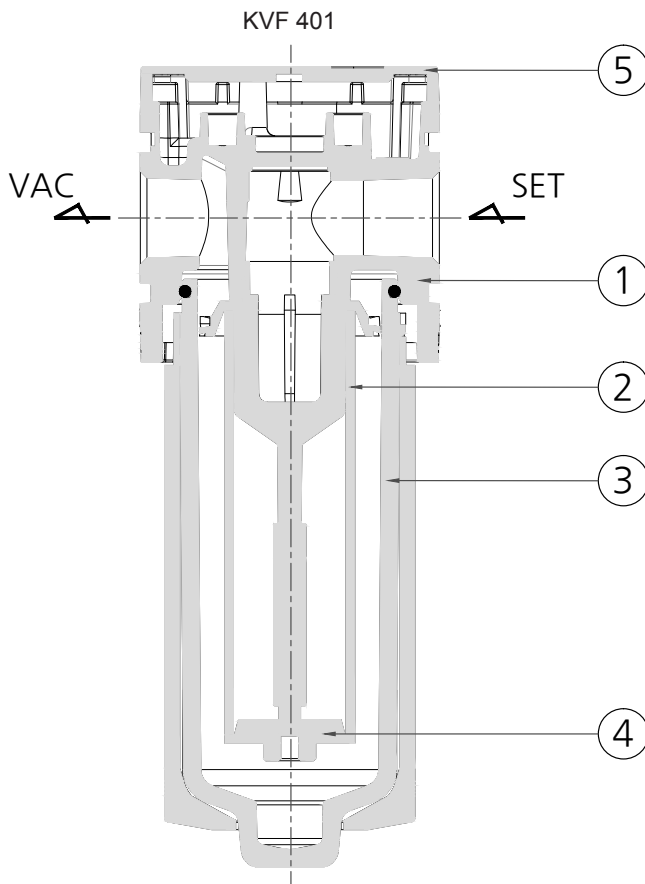
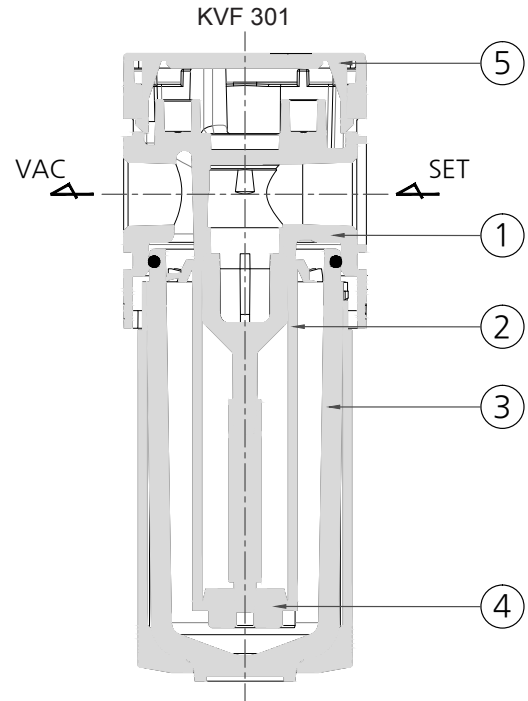
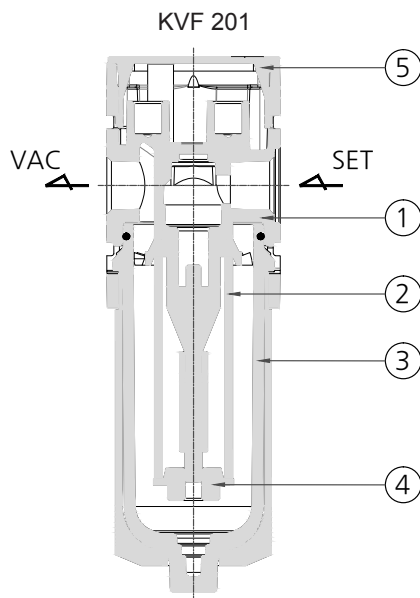
④ Bracket

| | |
|-----|---------|
| Nil | None |
| B | Bracket |

Specification

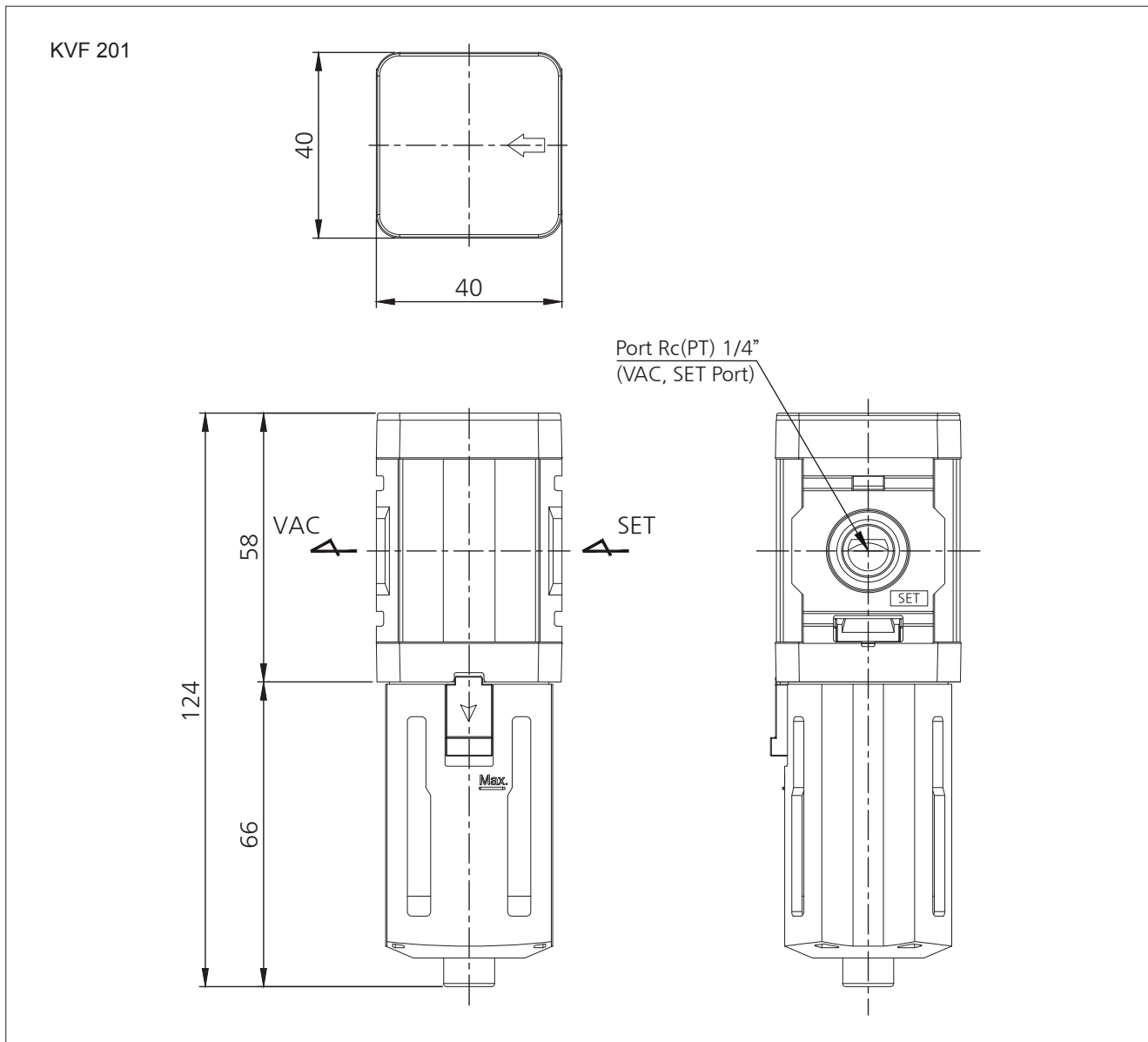
| | |
|-----------------------------|---------------------|
| Fluid | Air |
| Proof pressure | 0.5MPa |
| Operating pressure range | -100 ~ 0kPa |
| Filtration grade | 40 μ m |
| Ambient & fluid temperature | 5 ~ 60 $^{\circ}$ C |

Structure



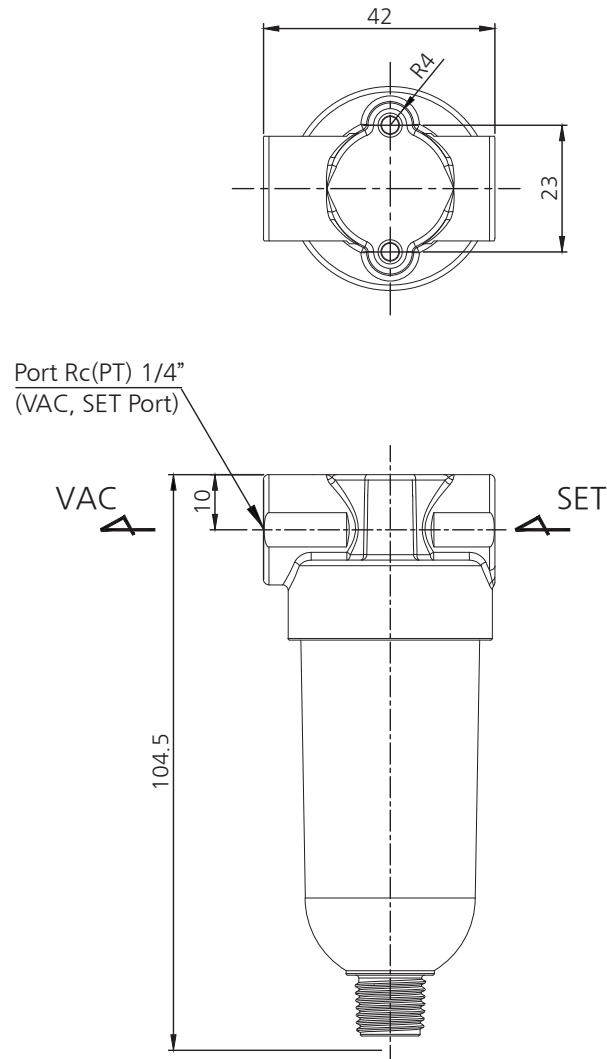
| No | Parts | Material |
|----|----------------|----------|
| 1 | Body | ALDC |
| 2 | Filter element | PE |
| 3 | Bowl | PC |
| 4 | Filter cap | AL |
| 5 | Top cover | NYLON |

Dimensions



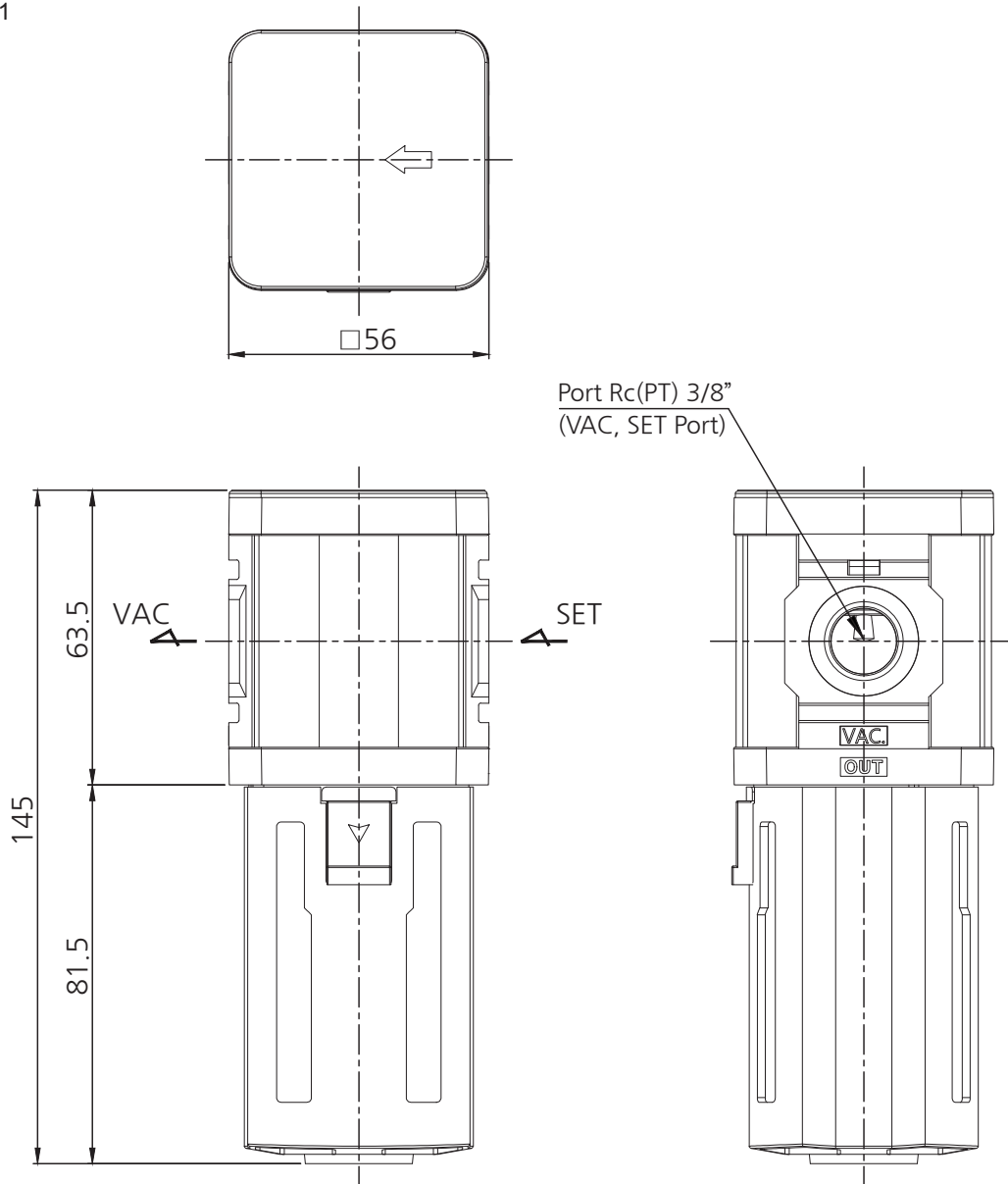
Dimensions

KVF 231



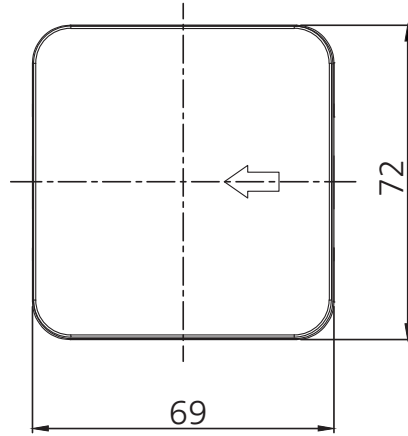
Dimensions

KVF 301



Dimensions

KVF 401



Port Rc(PT) 1/2"
(VAC, SET Port)

