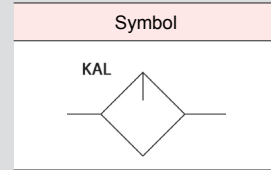


# KAL201-601 series



KAL201-02

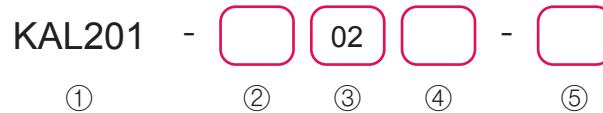
KAL401-04



### Feature

- Provide the correct amount of internal lubrication
- Longer life span with improved design of dripping port
- Able to connect with any combination of modular unit

### How to order



#### ① Model

KAL201	Rc(PT) 1/8", 1/4"
KAL301	Rc(PT) 1/4", 3/8"
KAL401	Rc(PT) 3/8", 1/2"
KAL601	Rc(PT) 3/4", 1"

#### ② Thread type

Nil	Rc(PT) (Standard)
G	G
N	NPT

#### ③ Port size

		KAL			
		201	301	401	601
01	Rc(PT)1/8"	•			
02	Rc(PT)1/4"	•	•		
03	Rc(PT)3/8"		•	•	
04	Rc(PT)1/2"			•	
06	Rc(PT)3/4"				•
10	Rc(PT)1"				•

#### ④ Bracket

Nil	None (Standard)
B	"C" bracket

#### ⑤ Bowl

Nil	Polycarbonate bowl
M	Metal bowl
L	Nylon bowl

### Specifications

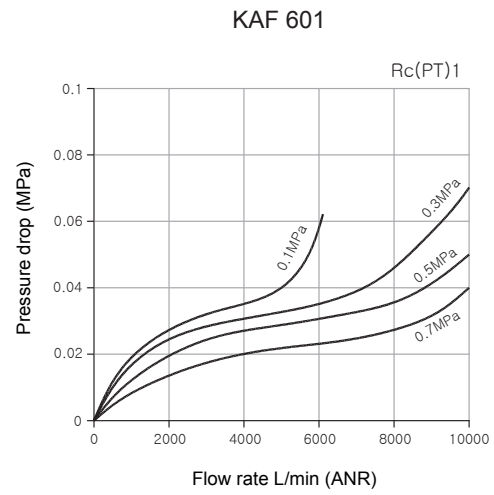
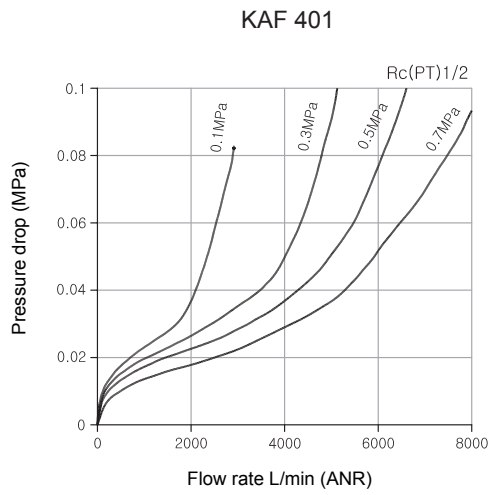
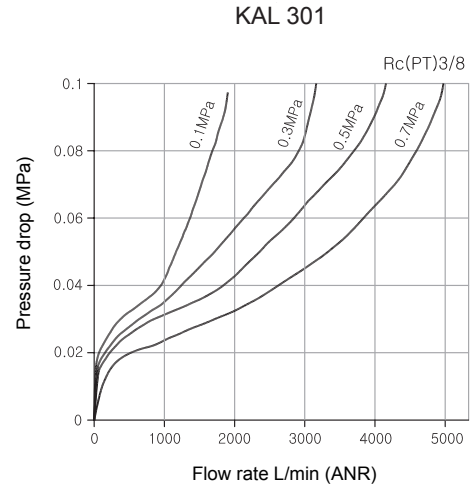
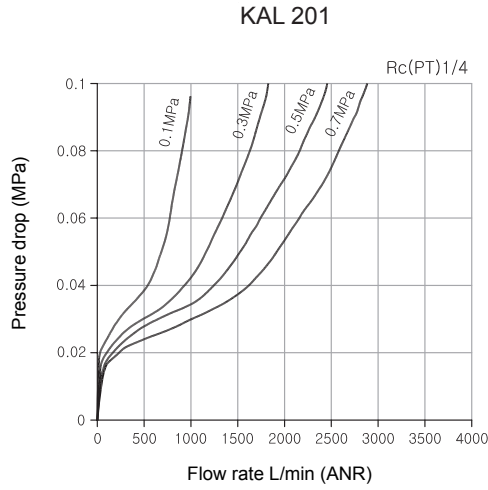
	KAL201	KAL301	KAL401	KAL601
Proof pressure	1.5MPa			
Max. operating pressure	1.0MPa			
Min. operating pressure	0.05MPa			
Ambient & fluid temperature	-5 ~ 60°C			
※ Min. flow for lubrication (L/min(ANR))	15	45	50	-
Recommended lubricant	Class 1 turbine oil (ISO VG32)			
Bowl Material	Polycarbonate / Metal / Transparent Nylon			
Weigh(g)	160	320	495	1,450

※ Remarks: Test condition  
Temp.: 20°C  
In-port pressure: 0.5 MPa  
Class 1 turbine oil (ISO VG32)  
Lubricating 5 droplets/min when flow rate control valve are fully opened.

#### ⚠ Safety precaution

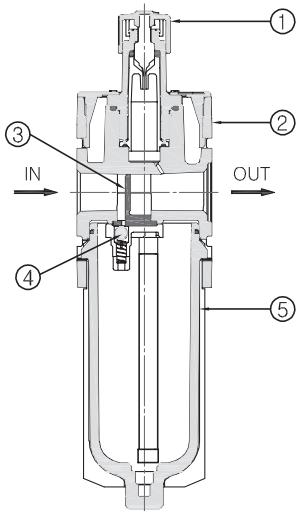
- Avoid using polycarbonated case in the environment with or exposed to chemical such as thinner, carbon tetrachloride, chloroform, acetic ester, cyclohexane, trichlorethylene, sulfuric acid, lactic and etc.
- In the case of adding lubricator oil by removing the bowl instead of through lubricating port, make sure the residual pressure is all removed before disassemble the bowl.

**Flow rate**

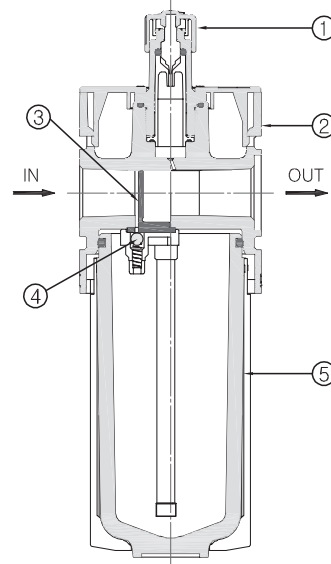


Structure

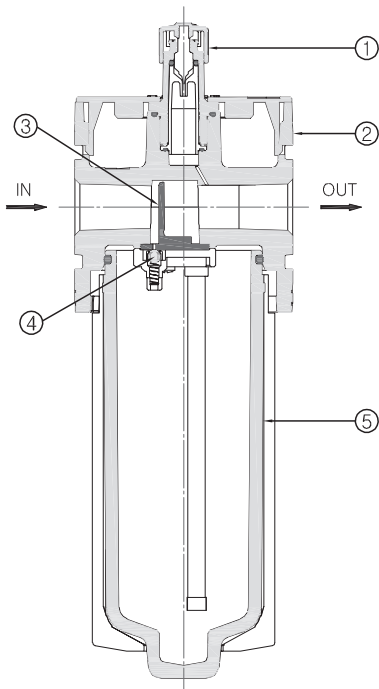
KAL 201



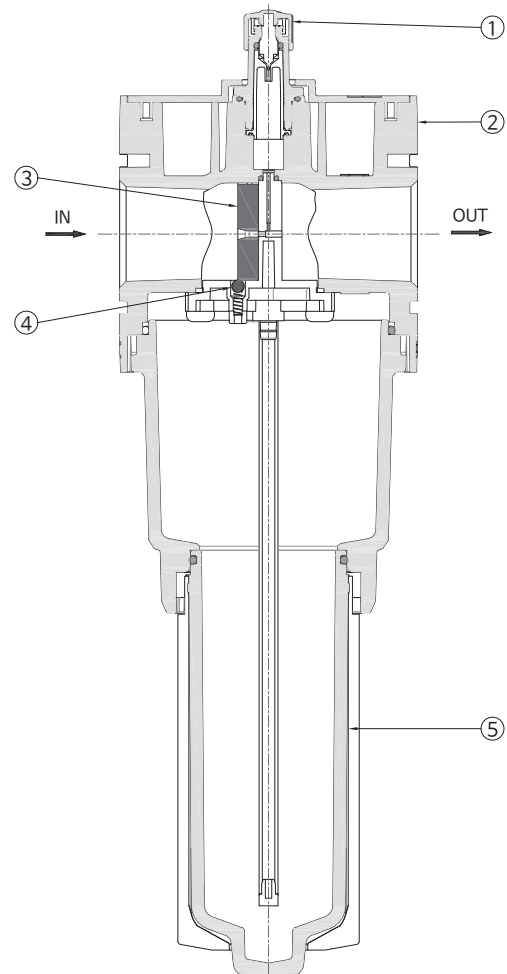
KAL 301



KAL 401

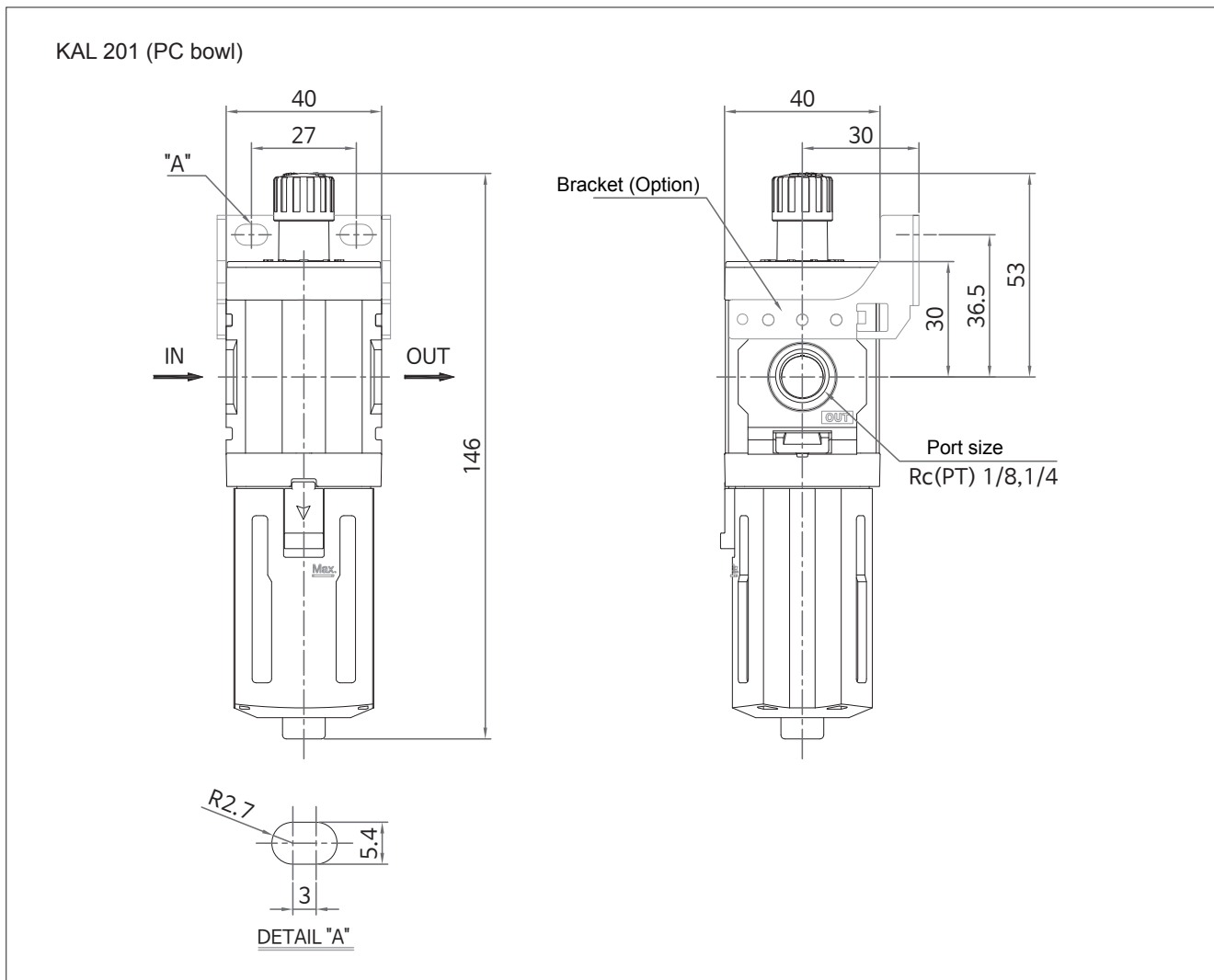


KAL 601

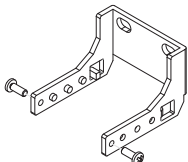


No	Prarts	Materials
1	Handle	POM
2	Body	ALDC
3	Damper	Urethane
4	Check Valve	STEEL BALL
5	Bowl	Polycarbonate/Metal/Nylon

**Dimensions**

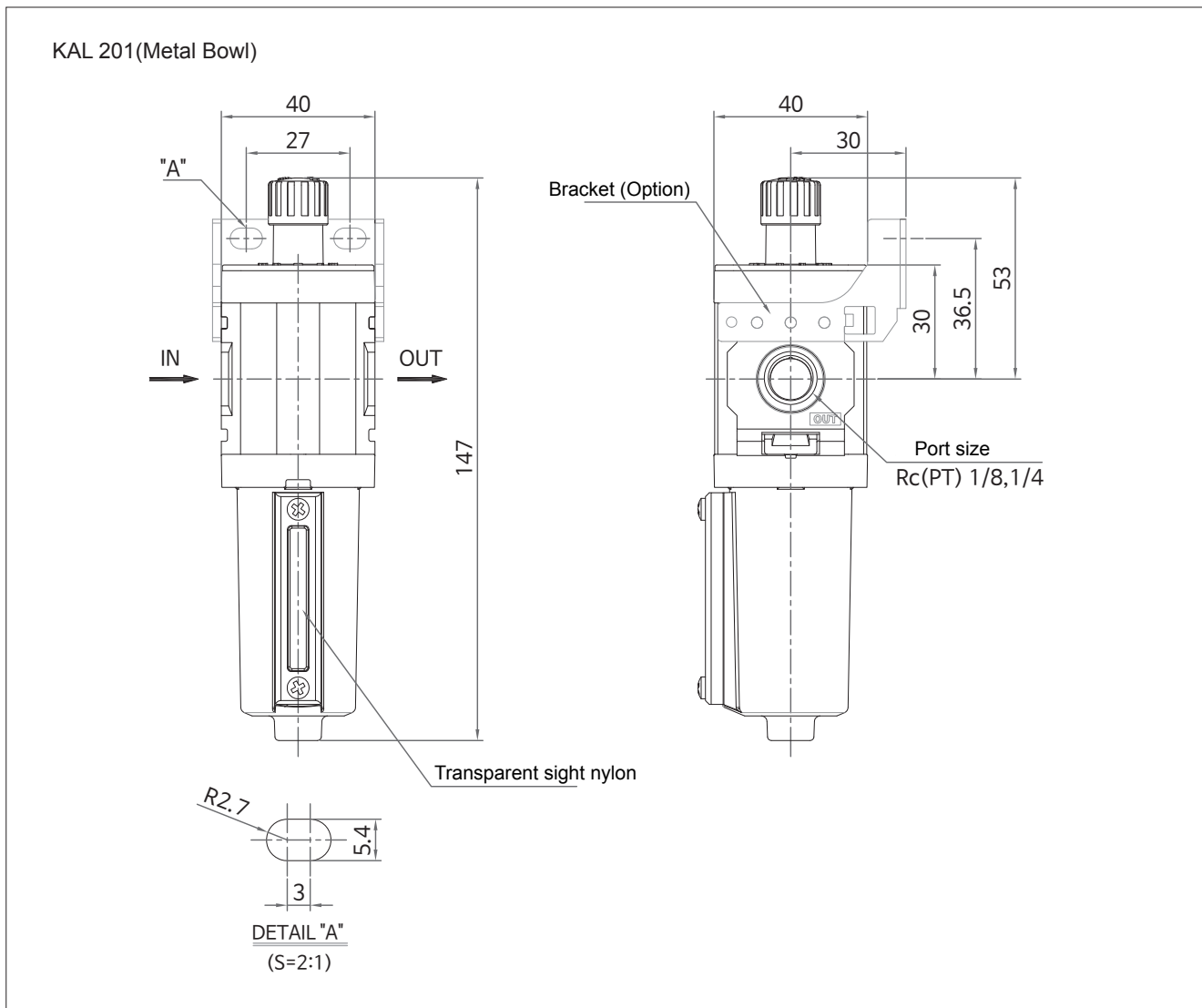


B : Bracket

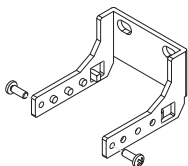


Model : BC201

**Dimensions**



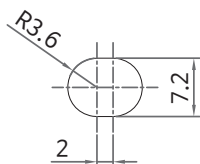
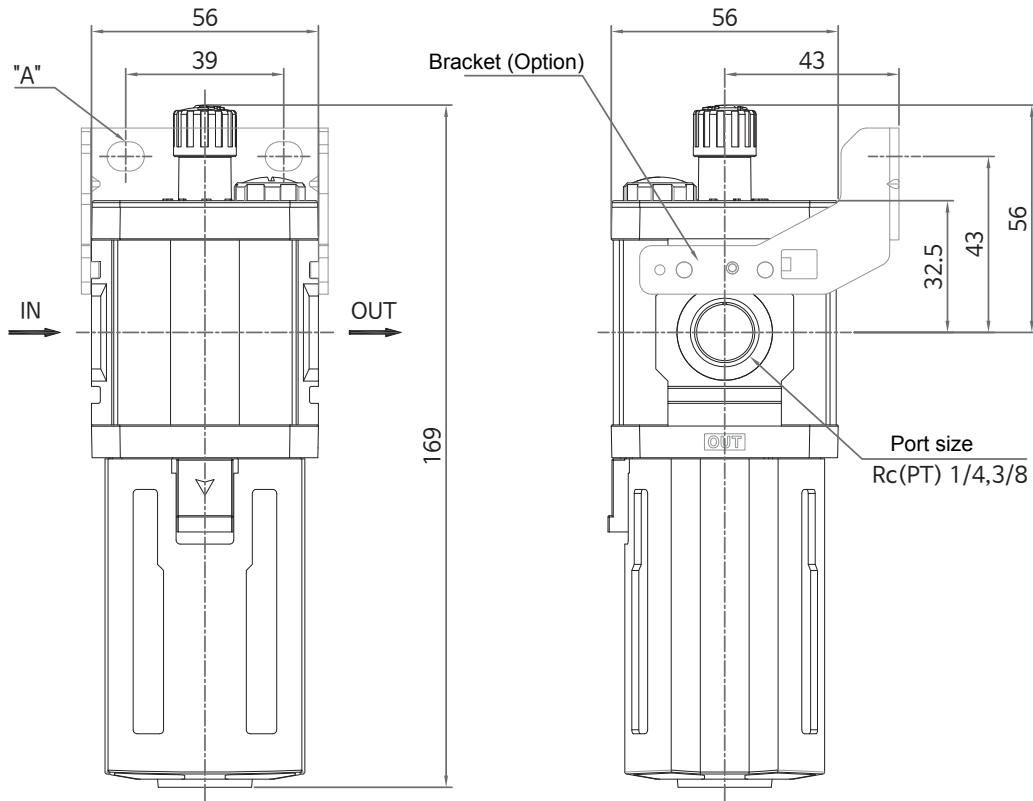
**B : Bracket**



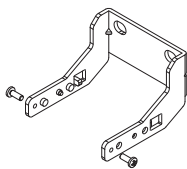
Model : BC201

**Dimensions**

KAL 301 (PC bowl)

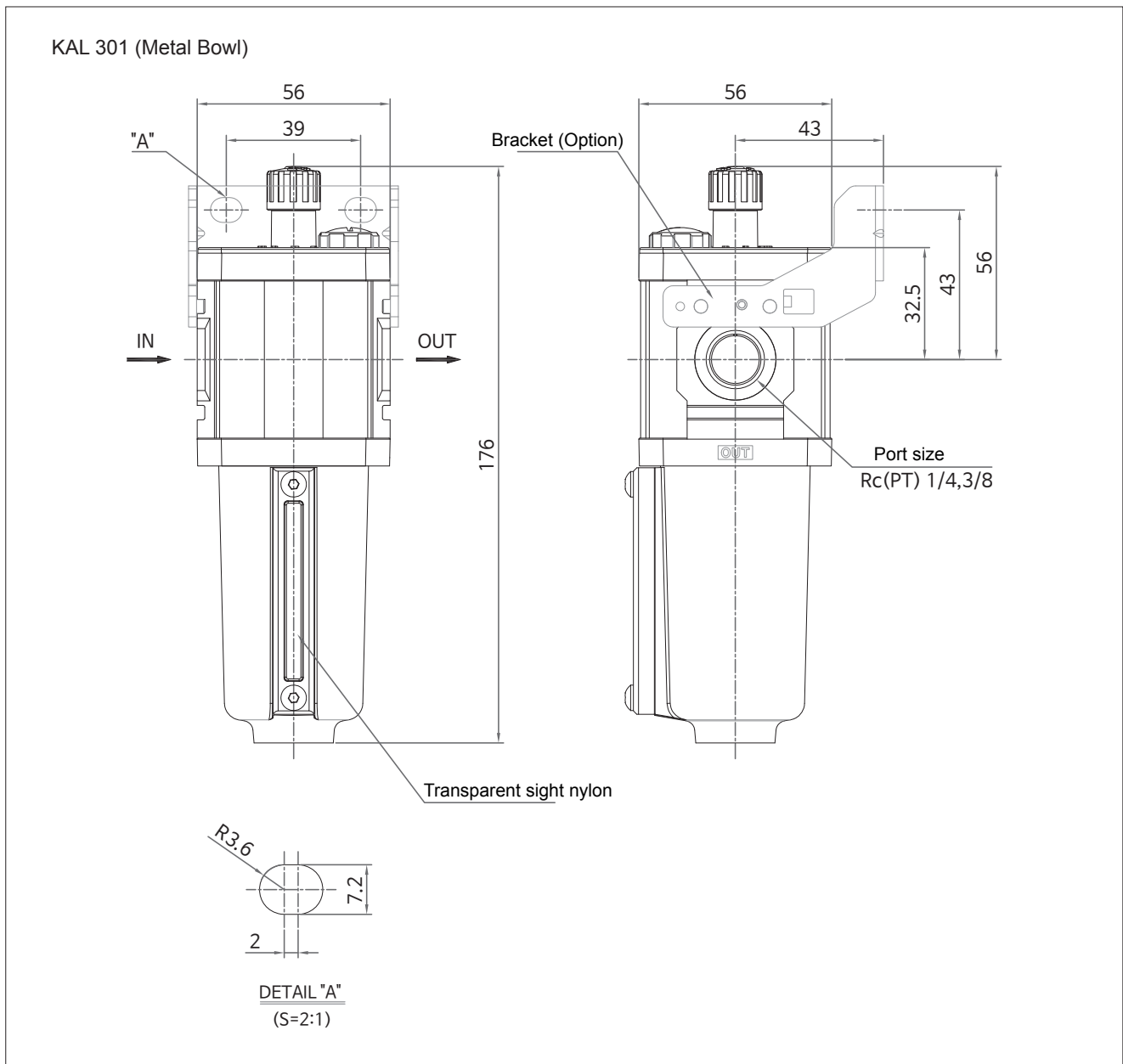


B : Bracket

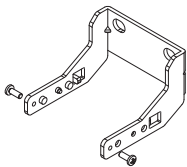


Model : BC301

**Dimensions**

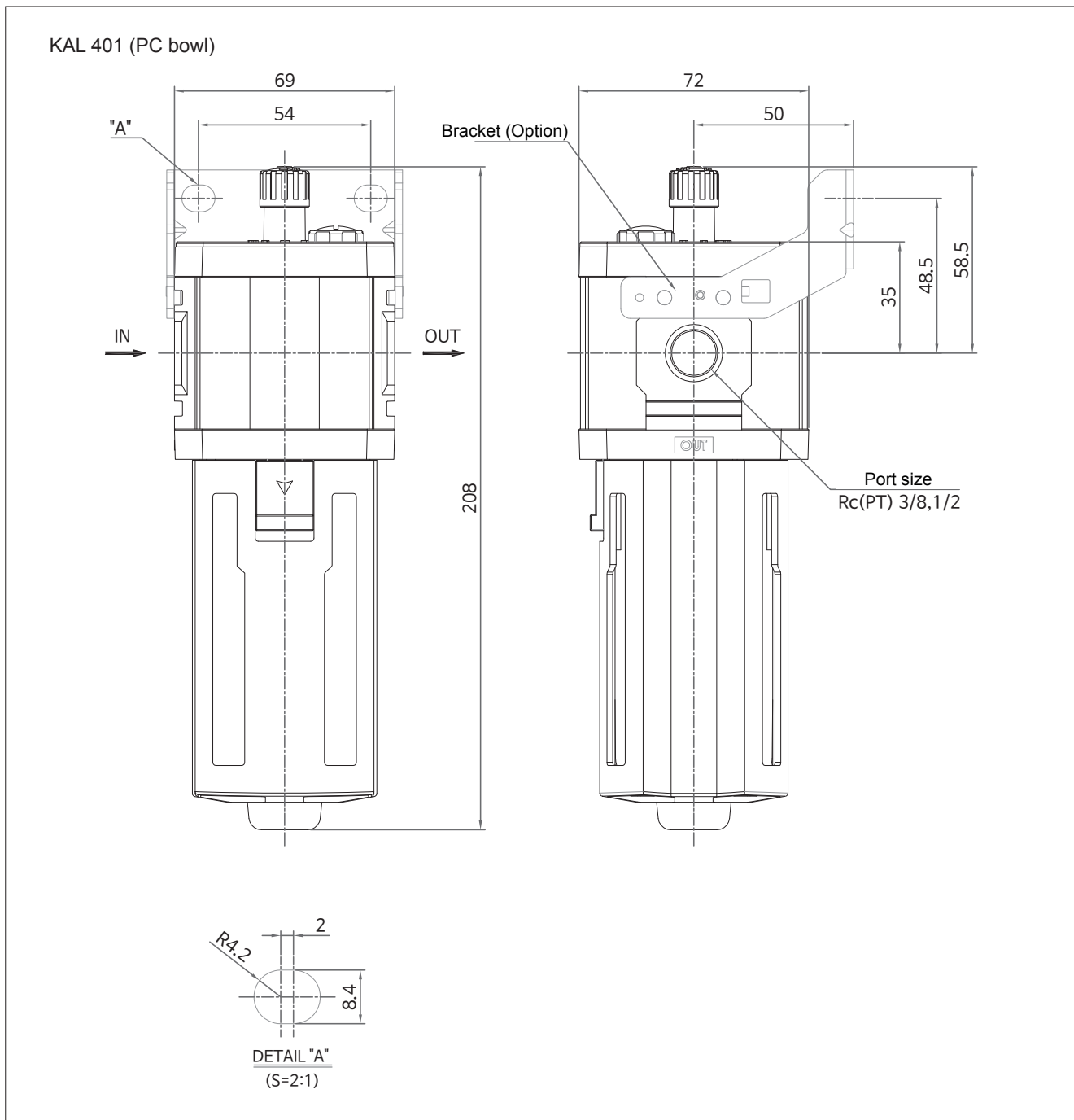


B : Bracket

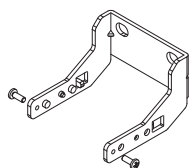


Model : BC301

**Dimensions**



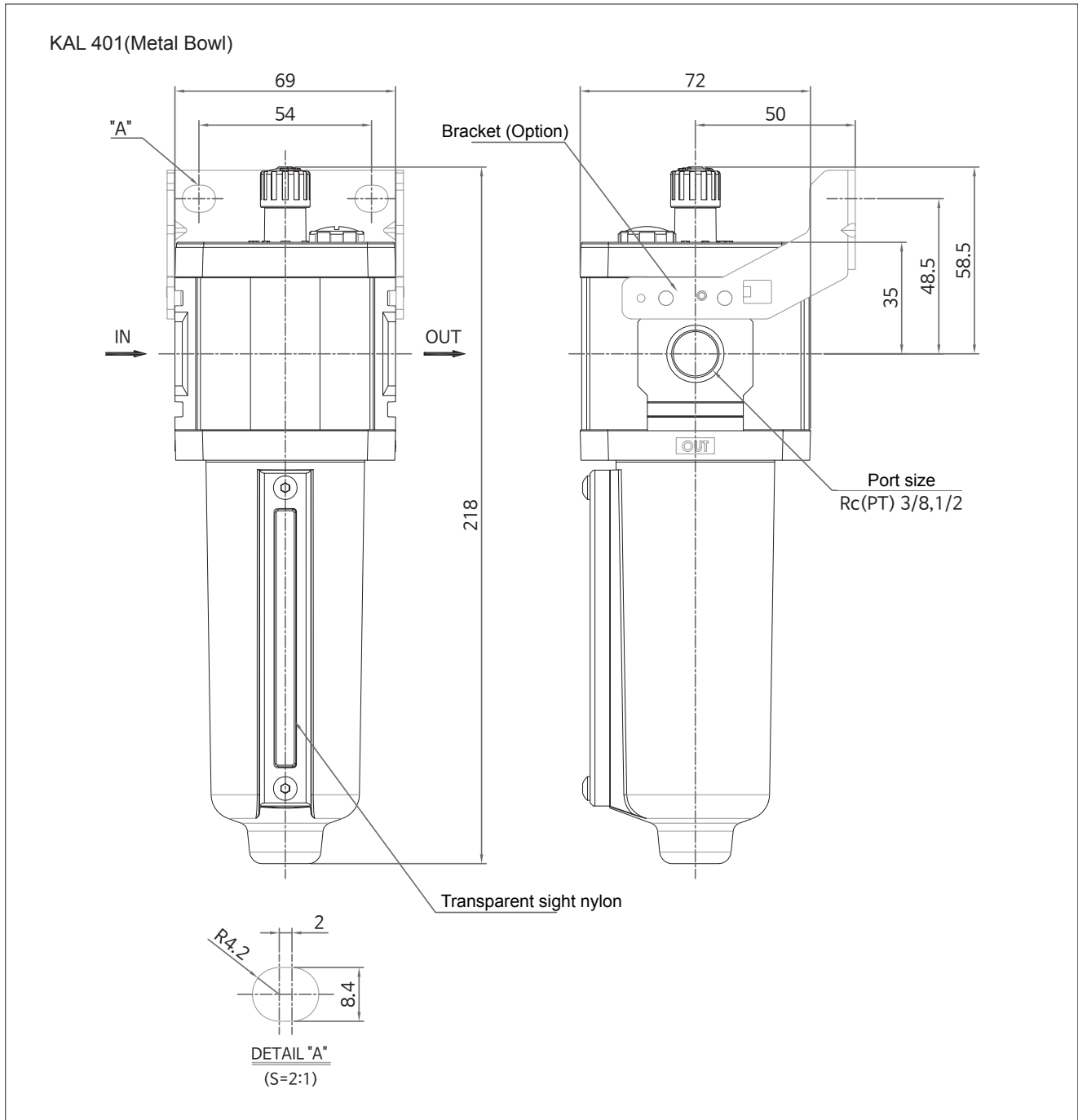
**B : Bracket**



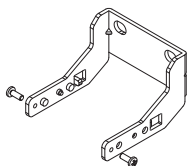
Model : BC401



**Dimensions**



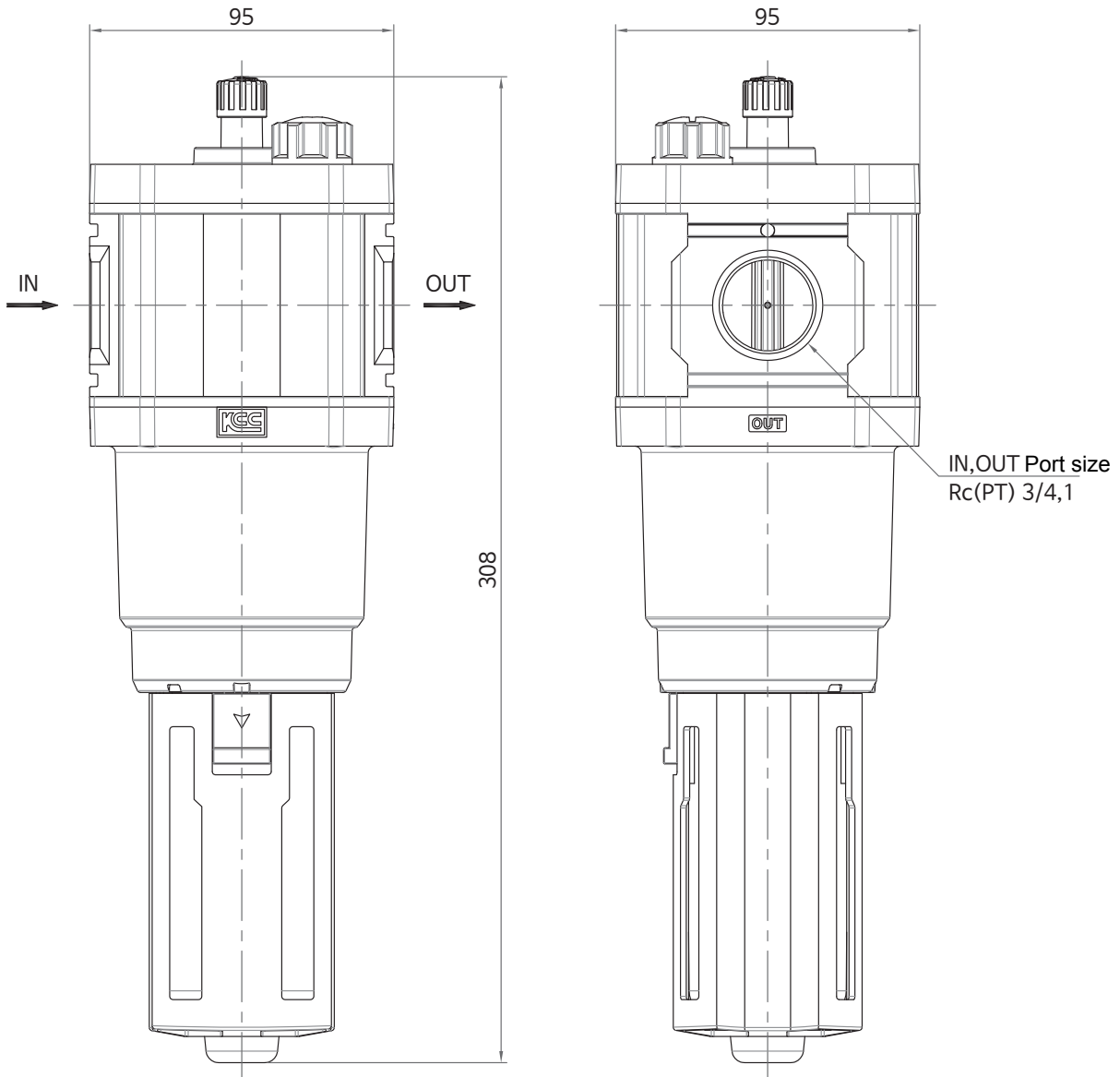
**B : Bracket**



Model : BC401

Dimensions

KAL 601 (PC bowl)



Dimensions

