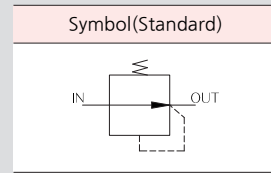


KAR105 series



KAR105-M5



Features

- Compact and lightweight regulator
- The design is compact
- Pressure control is smooth

How to order

KAR105 - M5 B

① ② ③

① Series

KAR105	Micro regulator
--------	-----------------

② Screw specification

M5	M5, Barb Fitting(Ø6 For hose)
----	-------------------------------

③ Bracket

Nil	None
B	Bracket(Separate packing)

※ The retaining nut is attached by default.

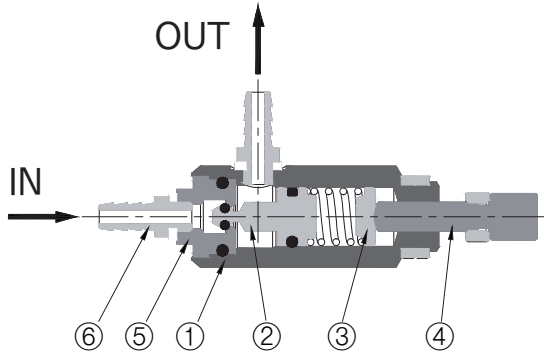
Specifications

Fluid	Air
Max. Supply Pressure	1.2MPa
Max. pressure in use	0.8MPa
Set pressure range	0.2 ~ 0.7MPa
Temperature	5 ~ 60℃
Structure	Non-relief type

⚠ Handle with care

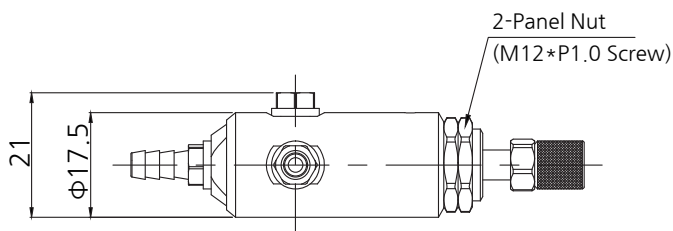
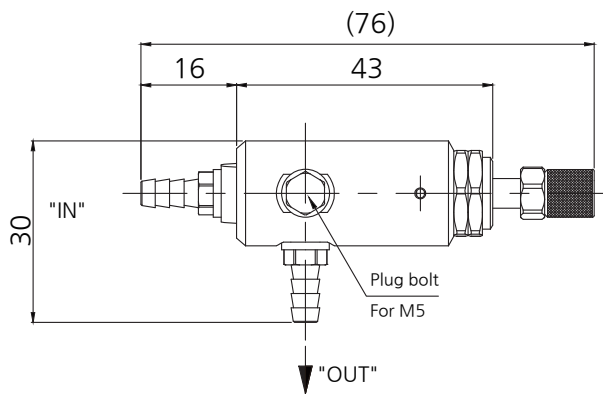
1. Please check the direction when connecting pipes. (Connect to "IN")
2. Make sure there are no foreign substances in the pipe.

Structure



No.	Parts	Material
1	Body	AL
2	Piston	Brass
3	Spring Bracket	Brass
4	Adjusting Spring	Brass
5	Valve Housing	AL
6	Barb Fitting	Brass

Dimensions



*Barb Fitting
*Connection Screw : For M5
2- $\phi 6 \times \phi 4$ For TUBE

