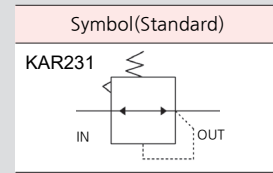


KAR231 series



KAR231-02T



Feature

- Quick response and accurate pressure regulation
- Various set up pressure range to be chosen
- Compact and light design for internal installation

How to order

KAR 231 - 02 -

① ② ③ ④ ⑤ ⑥ ⑦

① Model

KAR 231	1/8", 1/4"
---------	------------

② Thread type

Nil	Rc(PT) (Standard)
G	G
N	NPT

③ Port size

01	1/8"
02	1/4"

④ Bracket

Nil	None
B	Bracket

※ Mounting bracket nut are basically provided

⑤ Gauge

Nil	Without gauge
T	External gauge

※ Gauge connection : Rc(PT) 1/8"

⑥ Regulating range

Nil	0.07 ~ 0.85MPa (Standard)
3	0.03 ~ 0.35MPa

⑦ Relief

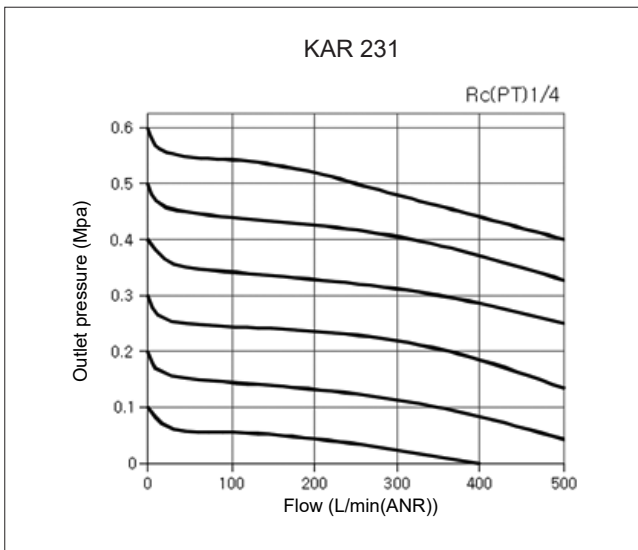
Nil	Relief (Standard)
CR	CONST. Relief
E	Non-relief

Specifications

Proof pressure	1.5MPa	
Max. operating pressure	1.0MPa	
Regulating pressure range	Standard	0.07 ~ 0.85MPa
	Option	0.03 ~ 0.35MPa
Ambient & fluid temperature	5 ~ 60℃	
Structure	Relief (Standard)	
Gauge connection	Rc(PT) 1/8	
Weight(g)	90	

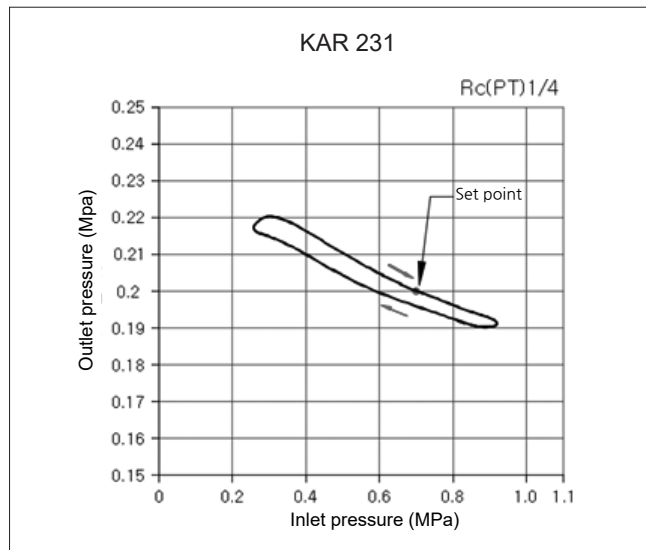
Flow rate

Condition: Inlet pressure 0.7Mpa



Flow rate

Condition: Inlet pressure 0.7Mpa, Outlet pressure 0.2Mpa, Flow rate 20 L/min(ANR)



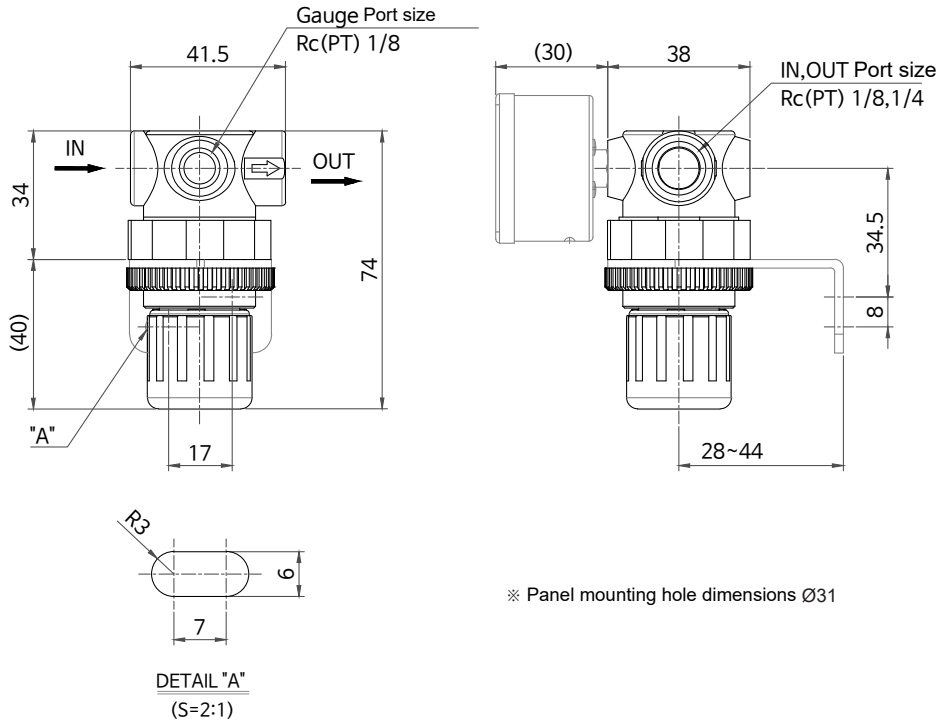
Structure

KAR 231

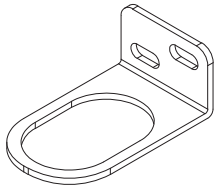
No	Parts	Materials
1	Body	ALDC
2	Valve	NBR
3	Diaphragm	NBR
4	Bonnet	POM
5	Handle	POM

Dimensions

KAR 231

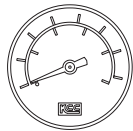


B : Bracket



Model : BL231

T : External gauge



Model : KPG40-10T
Rc(PT) 1/8
ø42, 1.0MPa