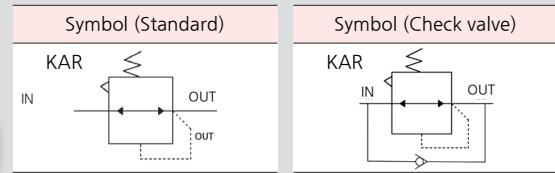


KAR101~601 series



KAR301-03G KAR301-03T KAR401-04G Digital pressure switch



Features

- Compact with the use of a buried pressure gauge
- Pressure gauge visibility is improved (Ø40 BIG SIZE GAUGE): Model 301 and above
- Improved pressure fine control

How to order

※ Symbol codes are displayed in alphabetical order.



① Model

KAR101	M5
KAR201	Rc(PT) 1/8", 1/4"
KAR301	Rc(PT) 1/4", 3/8"
KAR401	Rc(PT) 3/8", 1/2"
KAR601	Rc(PT) 3/4", 1"

② Thread type

Nil	Rc(PT) (Standard)
G	G
N	NPT

③ Port size

		KAR				
		101	201	301	401	601
M5	M5	●				
01	Rc(PT)1/8		●			
02	Rc(PT)1/4		●	●		
03	Rc(PT)3/8			●	●	
04	Rc(PT)1/2				●	
06	Rc(PT)3/4					●
10	Rc(PT)1					●

④ Bracket

Nil	None
B	Bracket+Fixed nut(Standard)

※ Brackets are packaged separately.

⑤ Gauge

G	Internal gauge (Standard)(1.0 MPa)
H	Without gauge, port block included
T	External gauge (1.0 / 0.4 / 0.2 MPa)

※ 201Model - only Internal gauge, display unit: MPa
 ※ 101Model - only External gauge, display unit: MPa

⑥ Operating pressure range

Nil	0.05 ~ 0.85MPa(Standard)
2	0.02 ~ 0.2MPa
4	0.02 ~ 0.4MPa

※ For high pressure specifications over 1.5 MPa, please contact us.

⑦ Check valve

Nil	None (Standard)
C	Built-in check valve

※ For 101 model, C (with built-in check valve) is not applicable.

⑧ Relief

Nil	Relief (Standard)
N	Non-relief

⑨ Digital pressure switch & Option

Nil	None (Standard)
P35	MPS-35 with pressure switch/port block
P41	KTD-041 pressure switch/NPN output, 2M cable
P51	KTD-041 pressure switch/PNP output, 2M cable

※ When using KTD-600 instead of digital pressure switch MPS-35, please contact us.

⑩ Handle and Bonnet types

Nil	Knob Type (Plastic Bonnet) - Basic Specifications
-----	---------------------------------------------------

※ In case of using T-Handle (metal bonnet), please contact us.

⑪ Air flow direction (Installation direction)

Nil	Left(IN) ► Right(OUT)
R	Right(IN) ► Left(OUT)

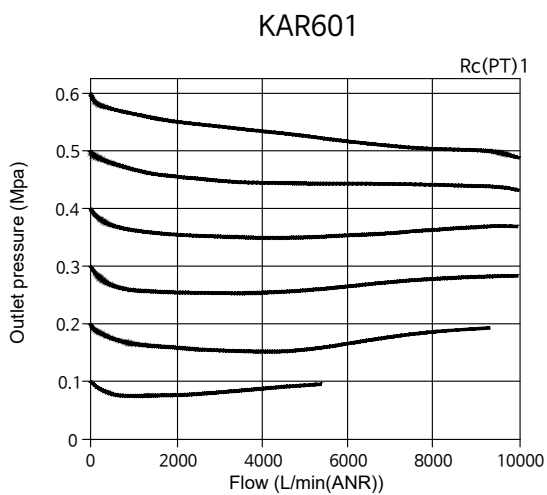
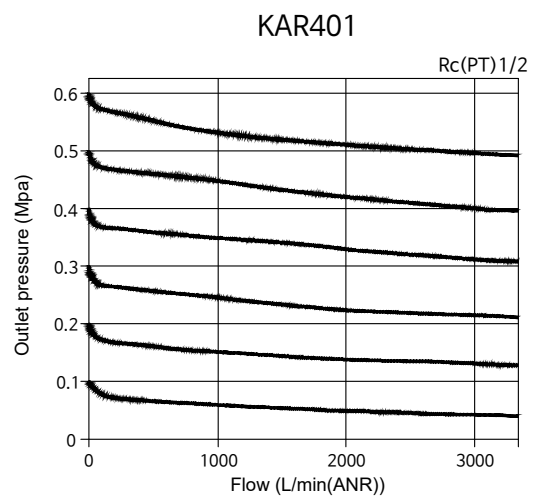
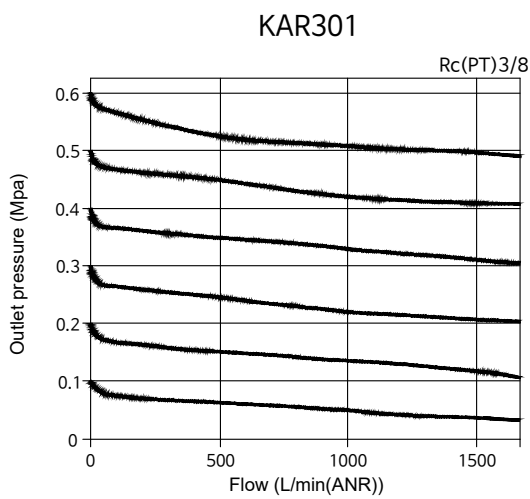
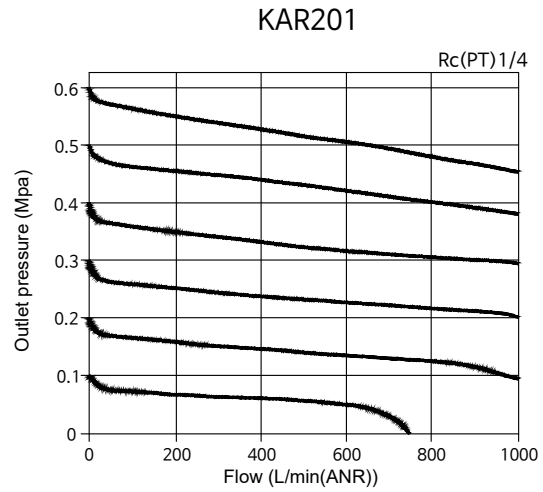
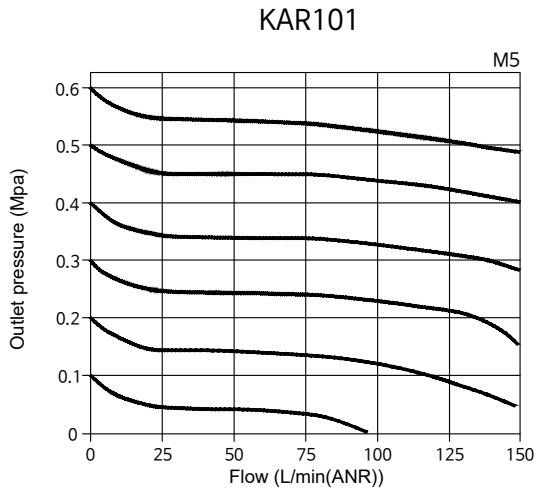
※ The basic shape of the handle is in the downward direction, and for installation in the upward direction based on the direction of airflow, please contact us.

Specifications

Proof pressure	1.5MPa				
Max. operating pressure	1.0MPa				
Operating pressure range	0.05 ~ 0.85MPa				
Ambient & fluid temperature	-5 ~ 60℃(No freezing)				
Structure	Relief (Standard)				
External gauge(option) port size	KAR101	KAR201	KAR301	KAR401	KAR601
	Rc(PT) 1/16	Rc(PT) 1/8		Rc(PT) 1/4	
Weight(g)	67	185	430	690	1,790

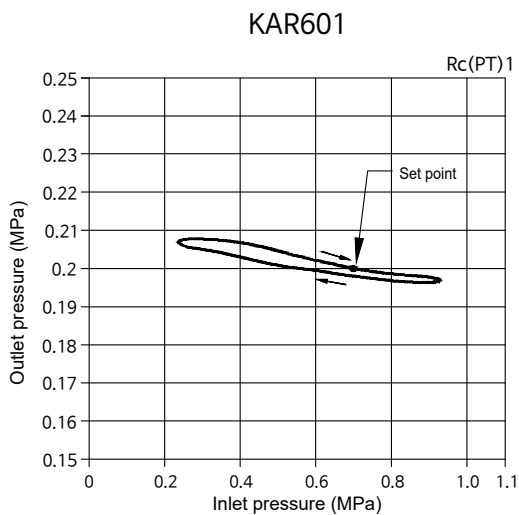
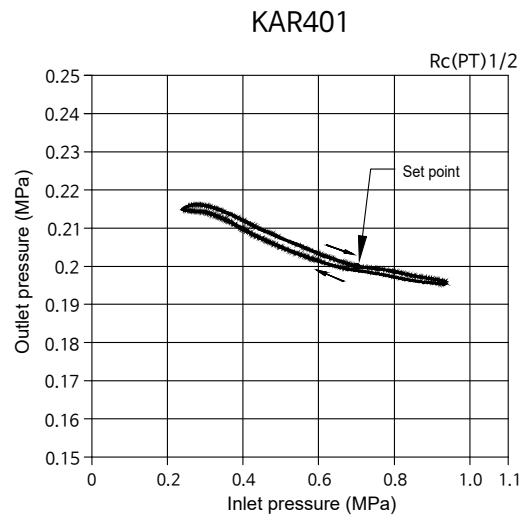
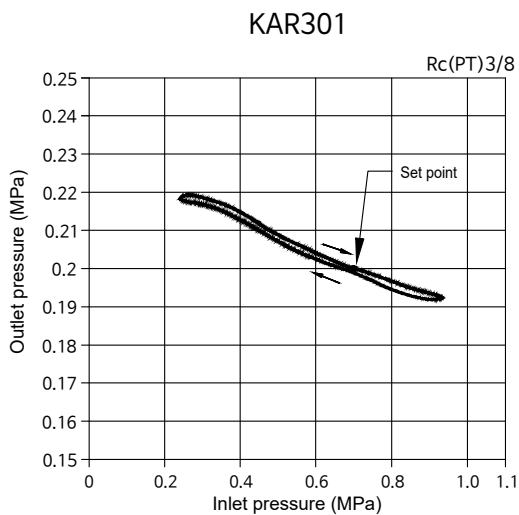
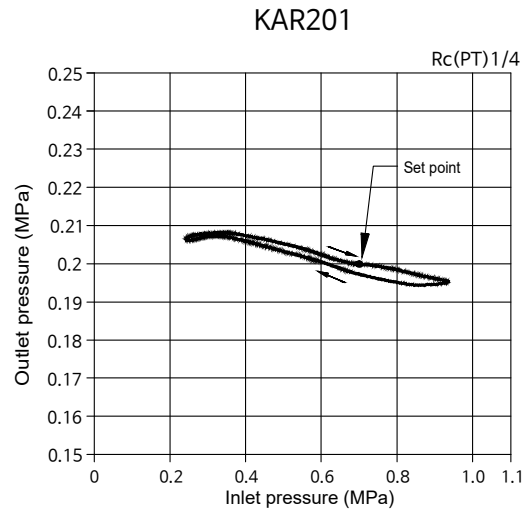
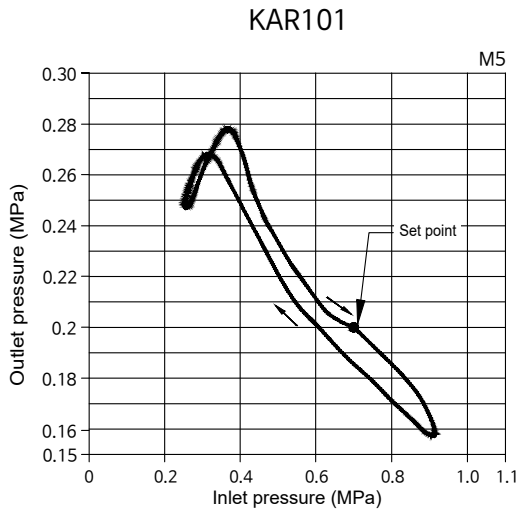
Flow rate

Condition: Inlet pressure 0.7 MPa

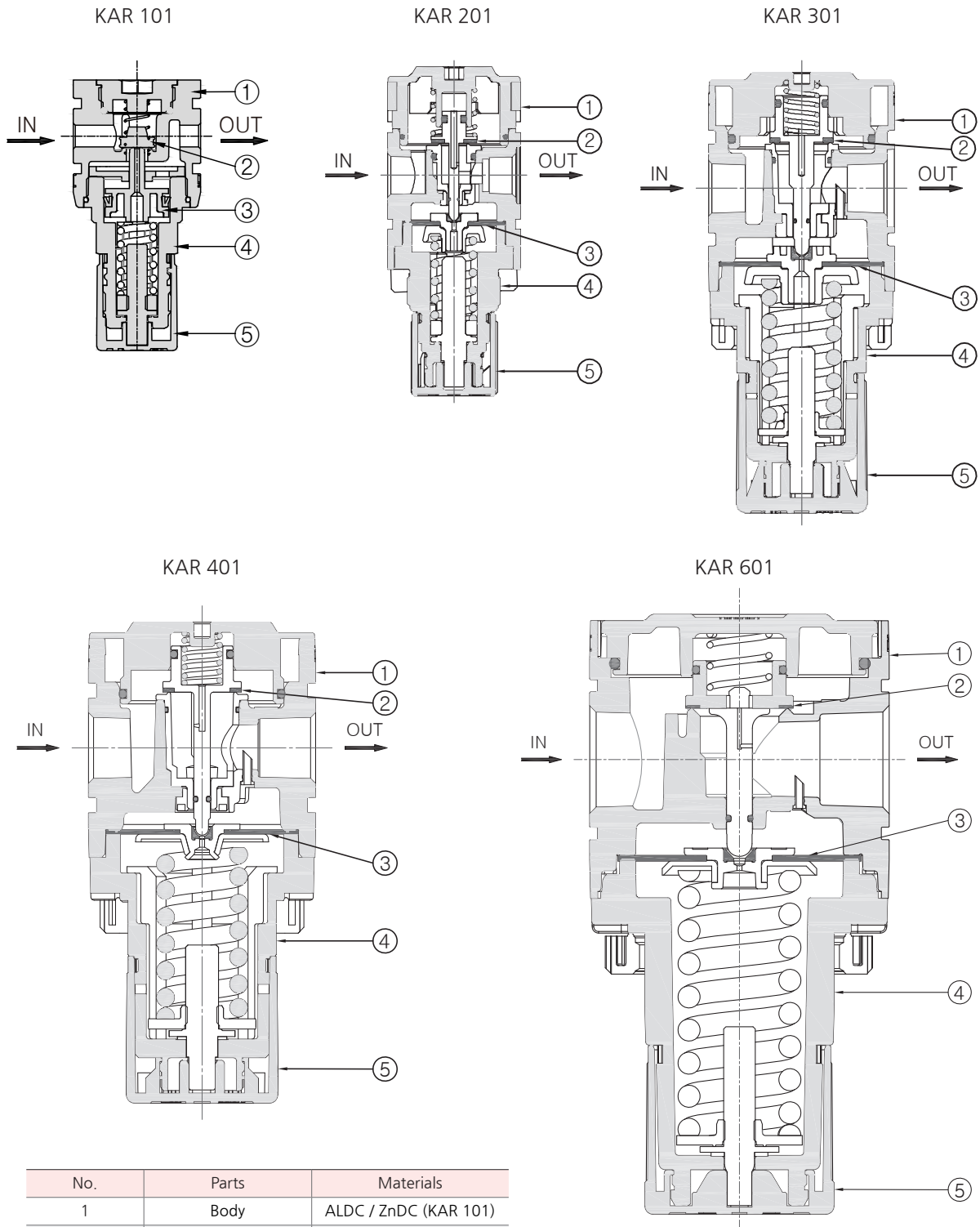


Pressure rate

Conditions: Inlet pressure (0.7 MPa), set pressure (0.2 MPa), flow rate 20 l/min (ANR)

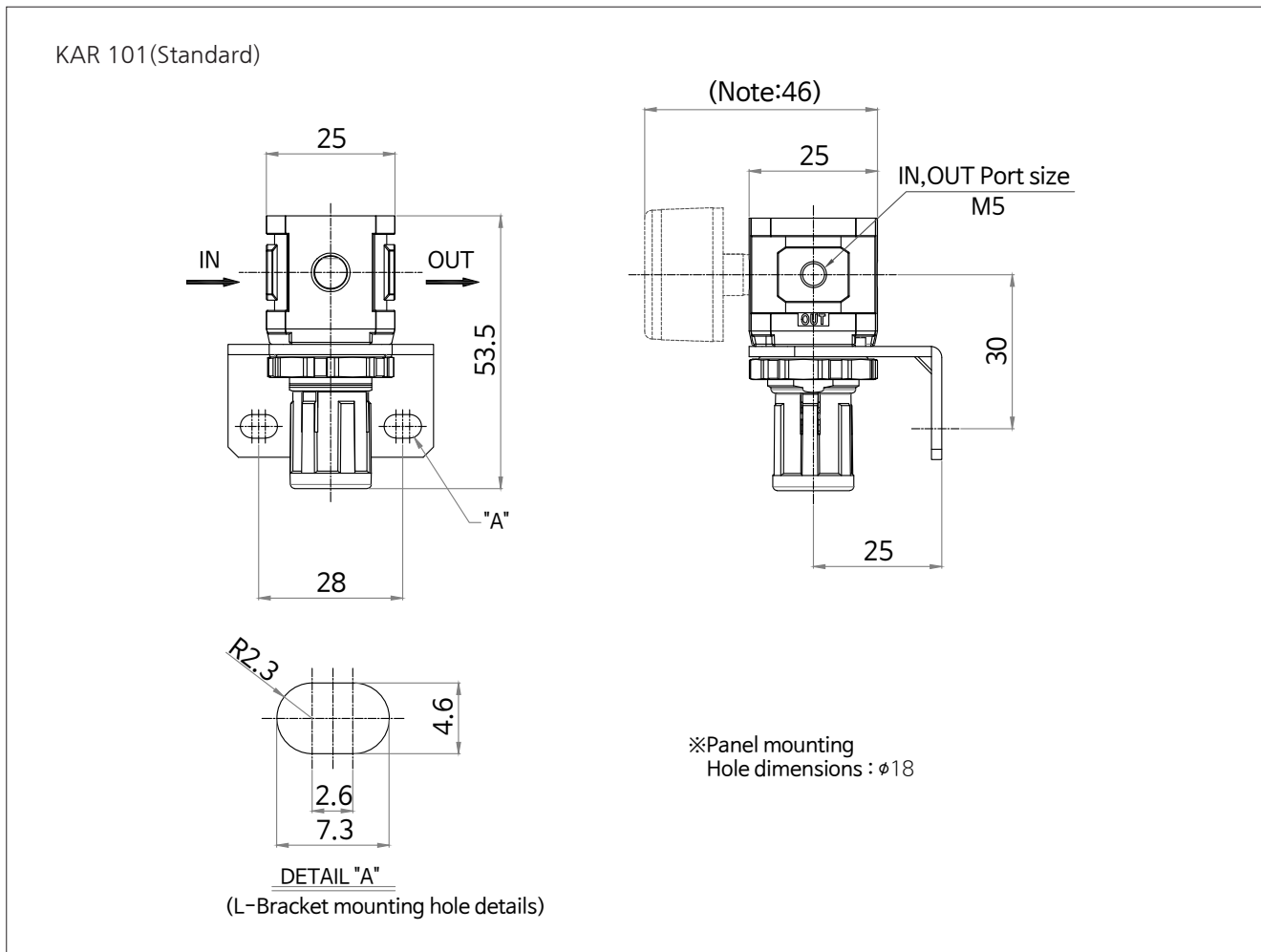


Structure



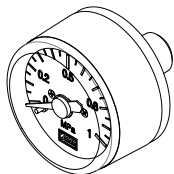
No.	Parts	Materials
1	Body	ALDC / ZnDC (KAR 101)
2	Valve	NBR
3	Diaphragm	NBR
4	Bonnet	Nylon / ALDC(KAR 601)
5	Handle	POM

Dimensions

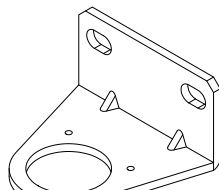


G : External gauge

B : Braket

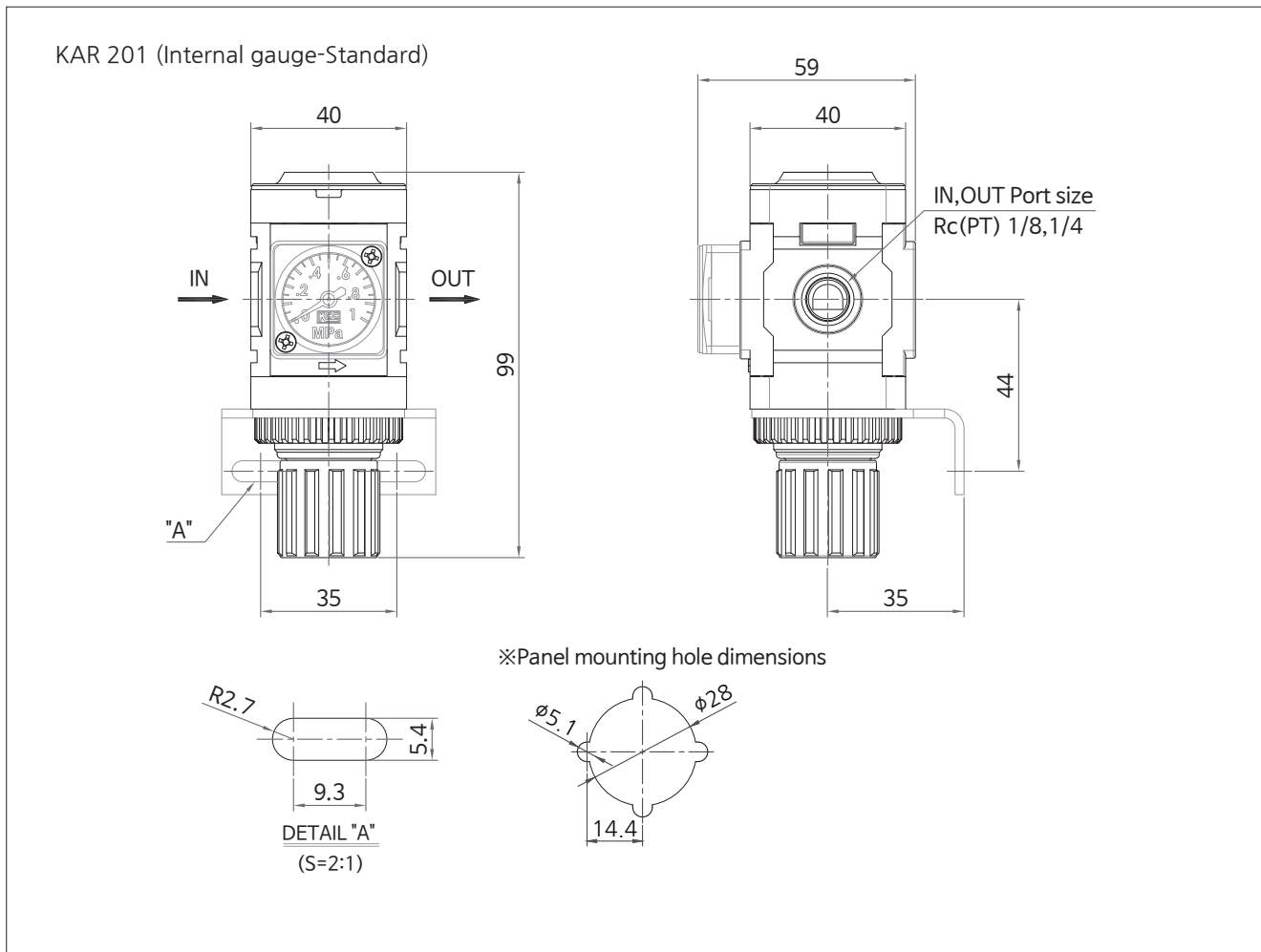


Model : KPG10-10T
Rc(PT) 1/16
 $\phi 26$, 1.0MPa



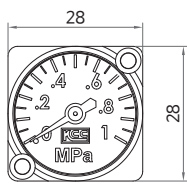
Model : BL101

Dimensions

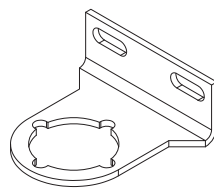


G : Internal gauge

B : Bracket



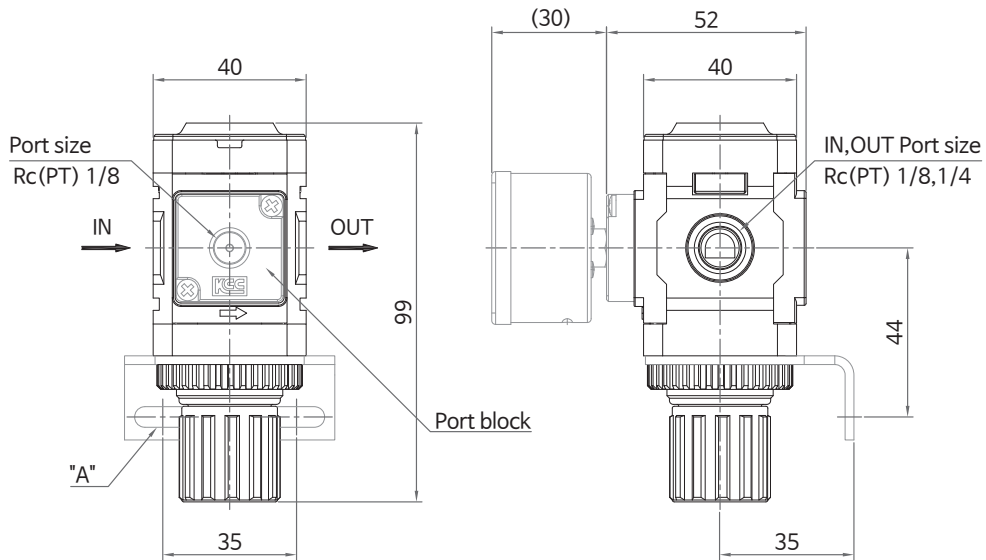
Model : KPG20-10G



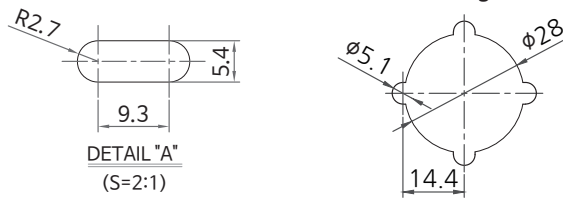
Model : BL201

Dimensions

KAR 201 (External gauge with port block)



※Panel mounting hole dimensions

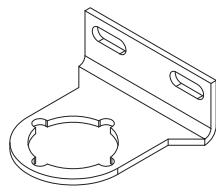


G : External gauge

B : Bracket



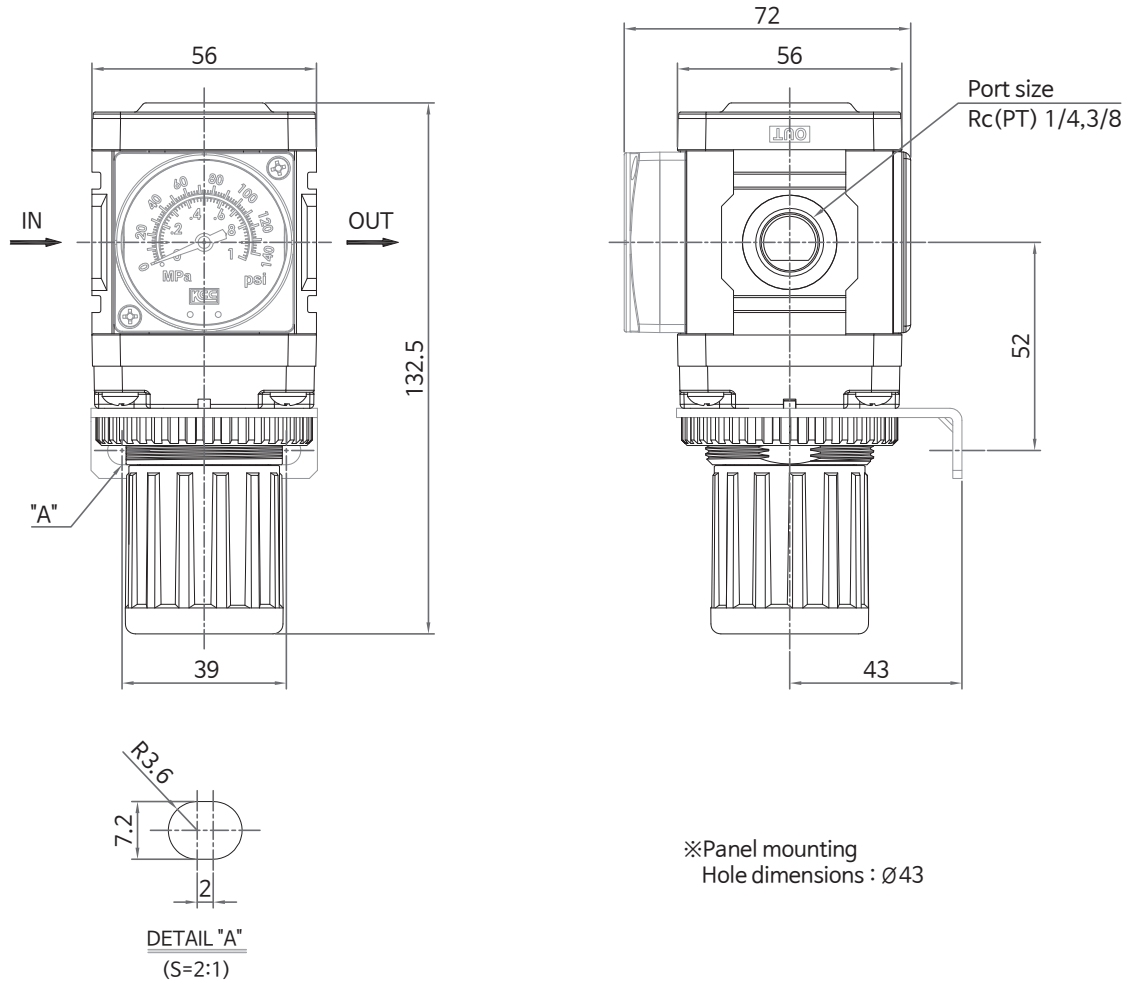
Model : KPG40-10T
Rc(PT) 1/8
φ42, 1.0MPa



Model : BL201

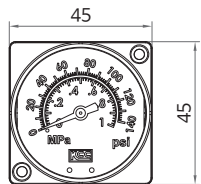
Dimensions

KAR 301 (Internal gauge-Standard)

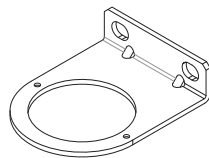


G : Internal gauge

B : Bracket



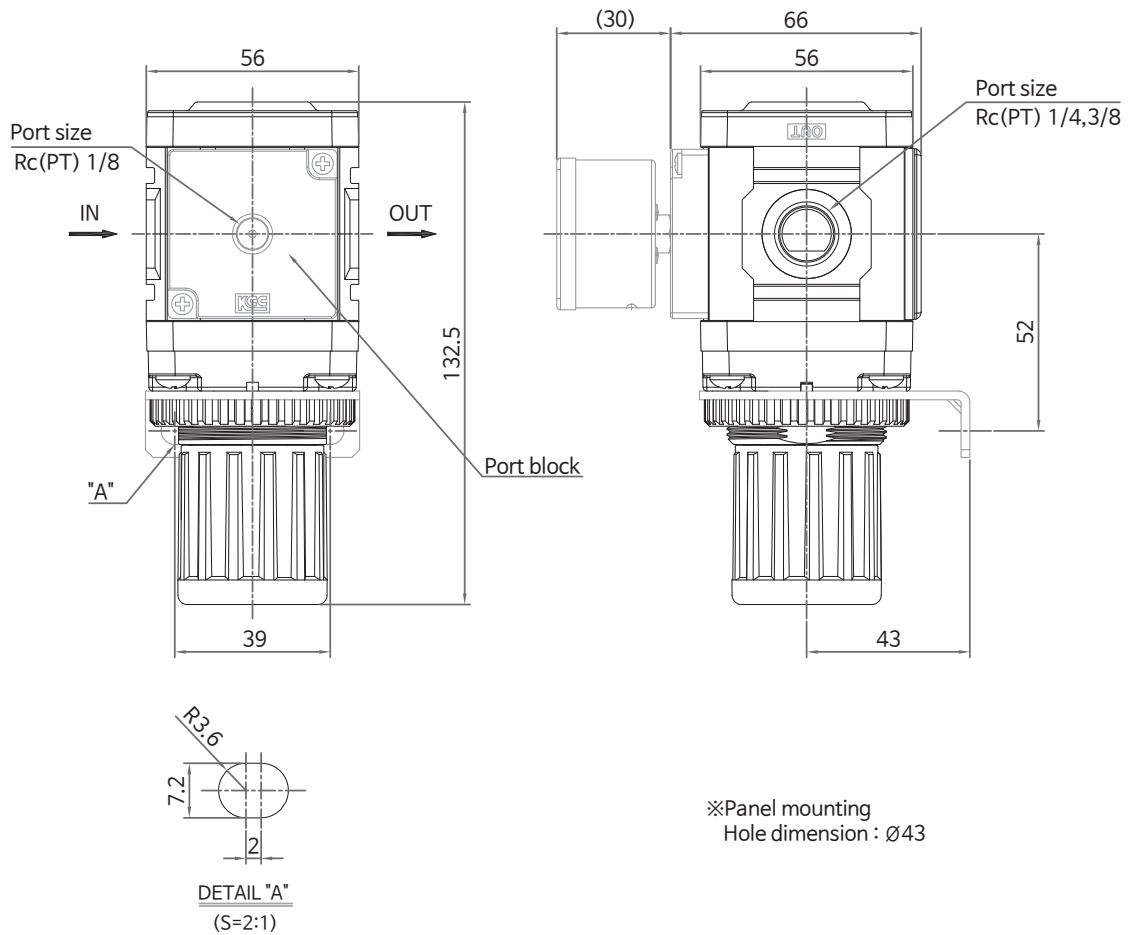
Model : KPG40-10G



Model : BL301

Dimensions

KAR 301(External gauge with port block)

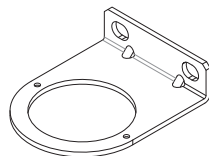


G : External gauge



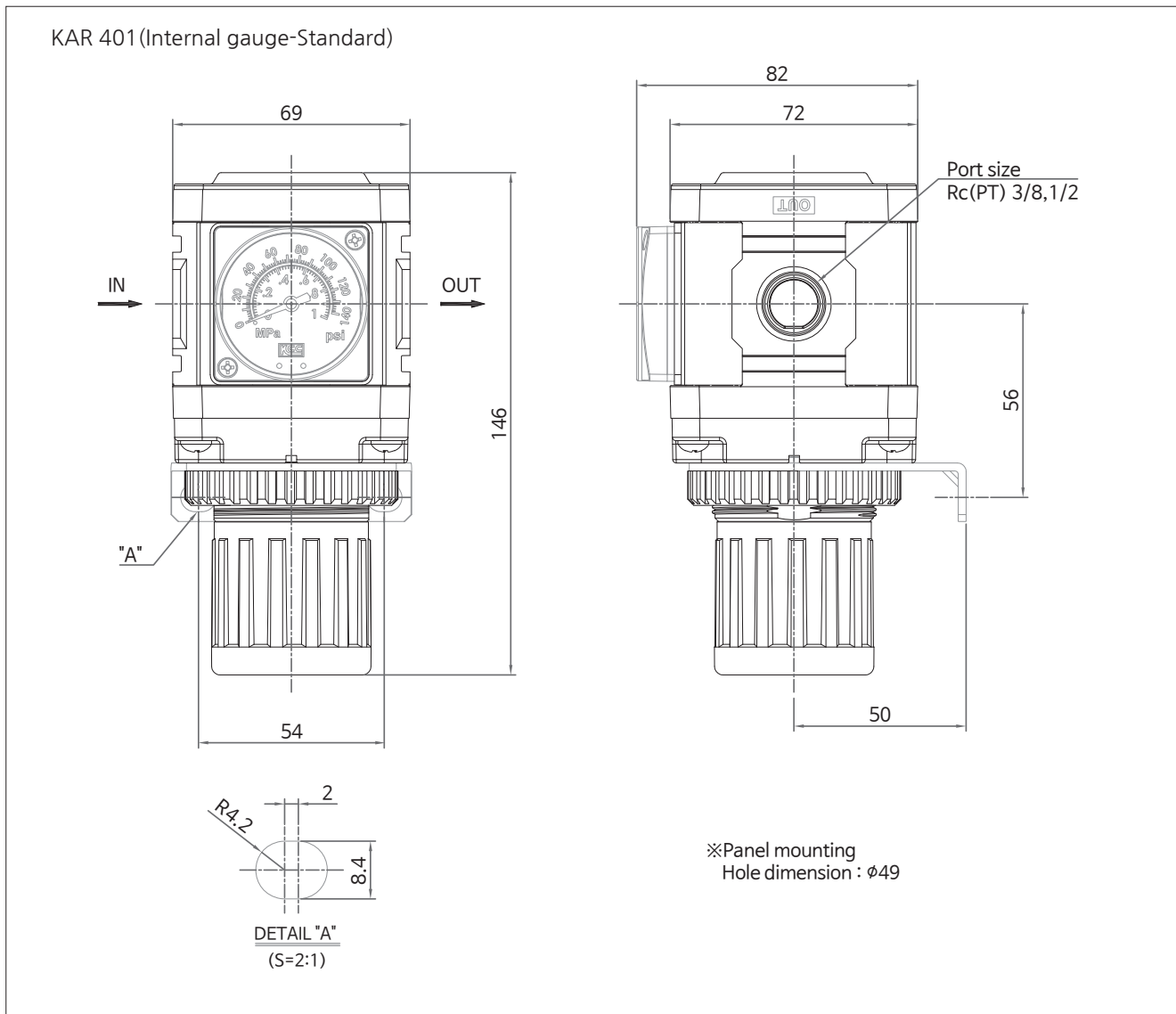
Model : KPG40-10T
Rc(PT) 1/8
ø42, 1.0MPa

B : Bracket



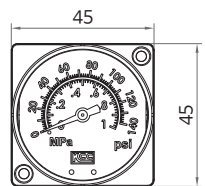
Model : BL301

Dimensions

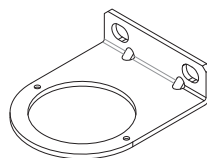


G : Internal gauge

B : Bracket

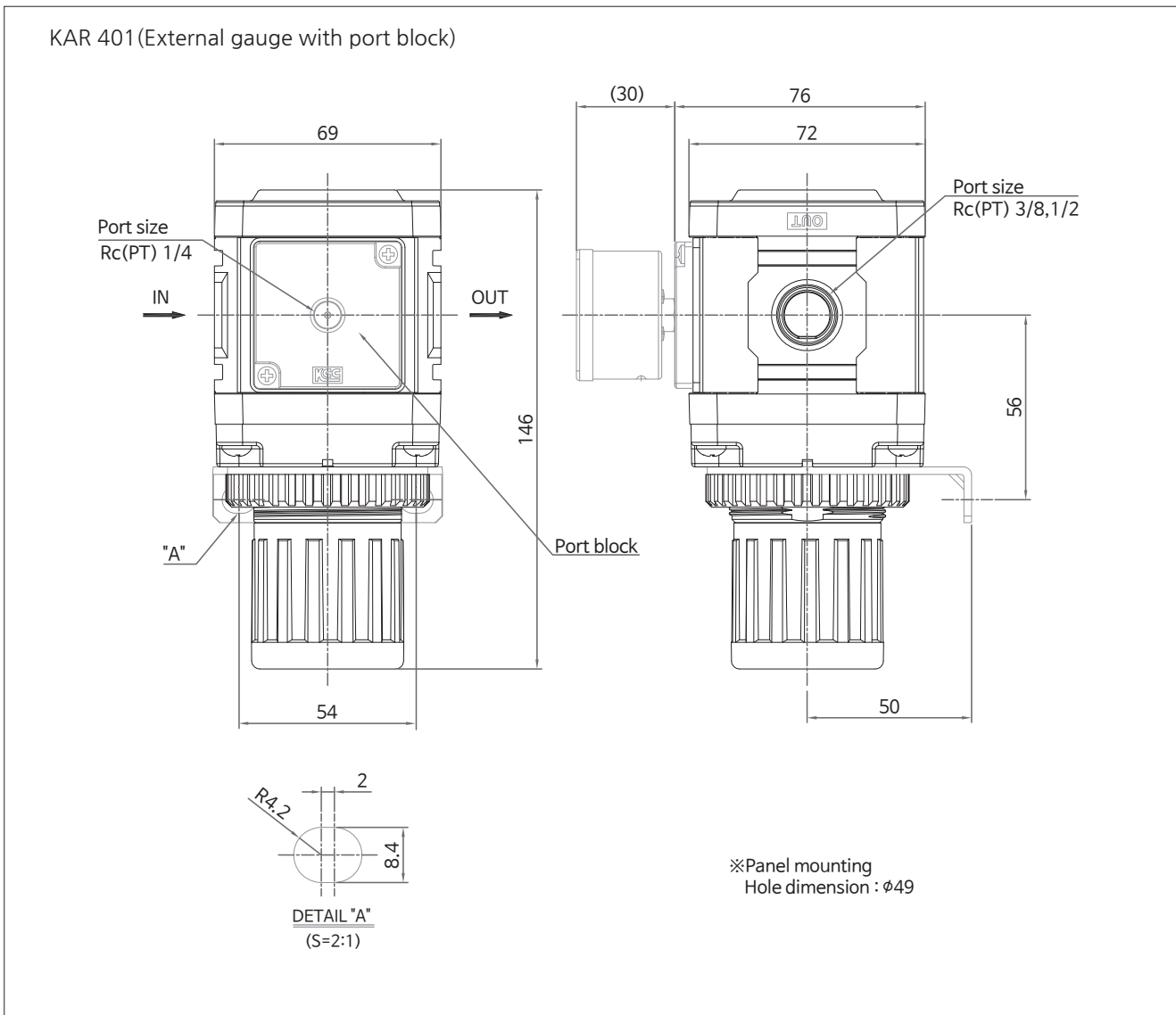


Model : KPG40-10G



Model : BL401

Dimensions

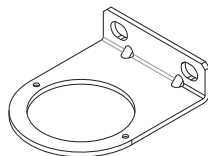


G : External gauge

B : Bracket



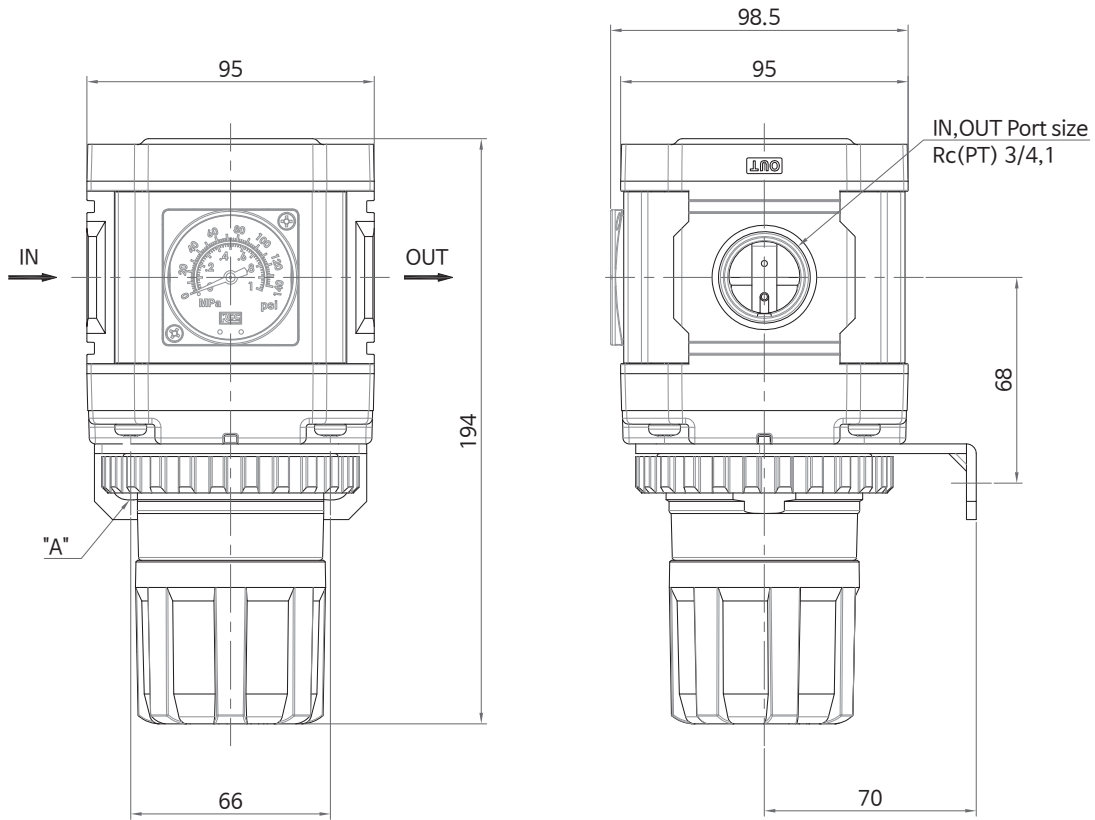
Model : KPG50-10T
Rc(PT) 1/4
 $\phi 52$, 1.0MPa



Model : BL401

Dimensions

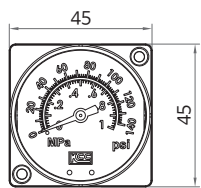
KAR 601 (Internal gauge-Standard)



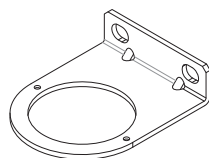
※Panel mounting
Hole dimension : $\phi 66$

G : Internal gauge

B : Bracket

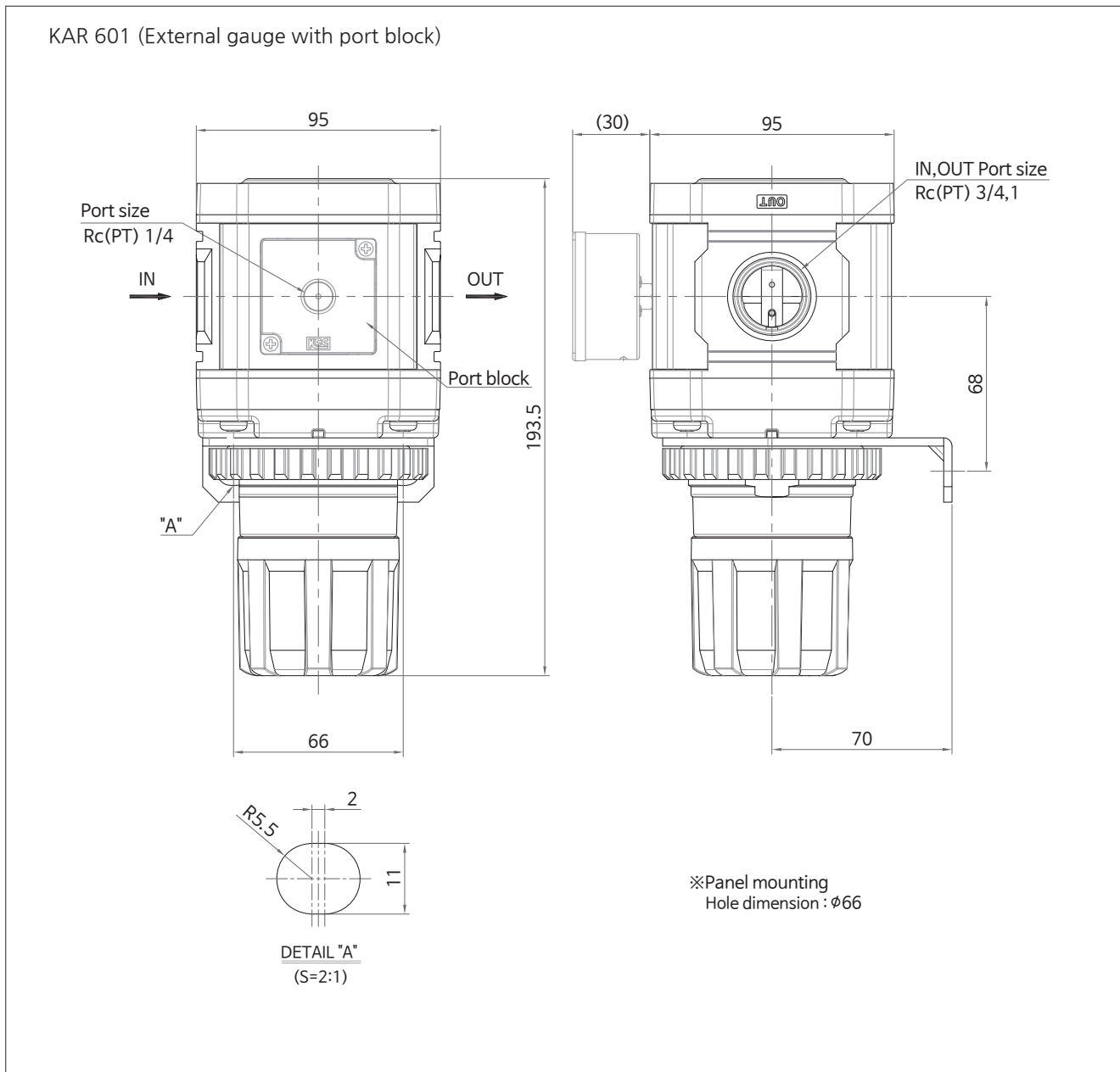


Model : KPG40-10G



Model : BL601

Dimensions

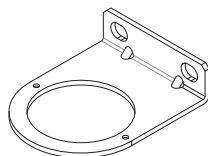


G : External gauge

B : Bracket



Model : KPG50-10T
Rc(PT) 1/4
φ52, 1.0MPa



Model : BL601