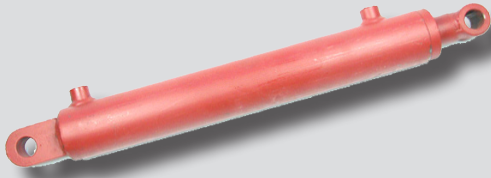
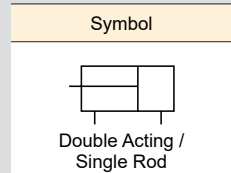


KH series



Features

- Standard agricultural and industrial hydraulic cylinder
- Hydraulic cylinder with bore sizes from Ø40 to Ø400.
- One side installation is possible depending on piping.
- Various mounting styles.
(Both end ring mounting, CA ring mouting, FA, FB)



How to Order



① Series

KH01	Both end ring mounting cylinder (For agricultural machine)
KH001	CA ring mounting cylinder (For industry)
KH02	General industry cylinder
KH03	General industry large cylinder

② Seal material

※ For KH01, KH001 series

Nil	Urethane rubber (Standard)
1	Nitrile rubber

※ For KH02, KH03 series

Nil	U Packing (Standard)
1	V Packing

③ Mounting style

SD	Both end ring mounting	For KH01
	CA ring mounting	For KH001
FA1	Rod side flange (Rectangular)	For KH02
FA2	Rod side flange (Circular plate)	
FB1	Head side flange (Rectangular)	For KH03
FB2	Head side flange (Circular plate)	
FA	Rod side flange	For KH03
FB	Head side flange	

④ Bore Size

Bore Size	KH01 KH001	KH02	KH03
40	Ø40	•	•
50	Ø50	•	•
60	Ø60	•	•
70	Ø70	•	•
80	Ø80	•	•
90	Ø90	•	•
100	Ø100	•	•
110	Ø110	•	•
125	Ø125	•	•
140	Ø140	•	•
150	Ø150	•	•
160	Ø160	•	•
180	Ø180	•	•
200	Ø200	•	•
220	Ø220	•	•
250	Ø250	•	•
280	Ø280	•	•
300	Ø300	•	•
350	Ø350	•	•
400	Ø400	•	•

⑤ Tube type

Nil	Drawing tube (Standard Ø40~Ø100)
H	Honing pipe

※ Only available for Ø40~Ø100.

※ Honing pipe is used as standard type for cylinder over Ø125.

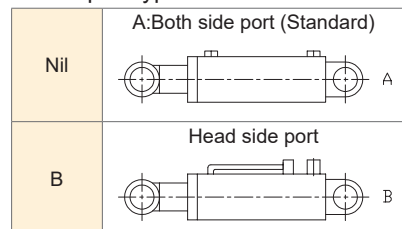
⑥ Cylinder Stroke (mm)

Bore size	Max. stroke
Ø40~Ø400	3000

※ Check buckling, as it varies depending on mounting style.

※ Contact us for longer stroke.

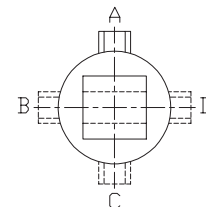
⑦ Air port type



※ Only available for KH01, KH001, KH03 series.

⑧ Air port position

Nil	A (Standard)
B, C, D	Refer to figure below



Specifications

Type	Refer to cylinder inner diameter
Max. operating pressure	100kgf/cm ² (10.0MPa)
Proof pressure	200kgf/cm ² (20.0MPa)
Min. operating pressure	5kgf/cm ² (0.5MPa)
Temperature range	-10 ~ 60℃
Working oil	Petroleum-based fluid
Tolerance of thread	KS class 2
Tolerance of stroke	0 ~ 0.8mm (KH02, KH03)

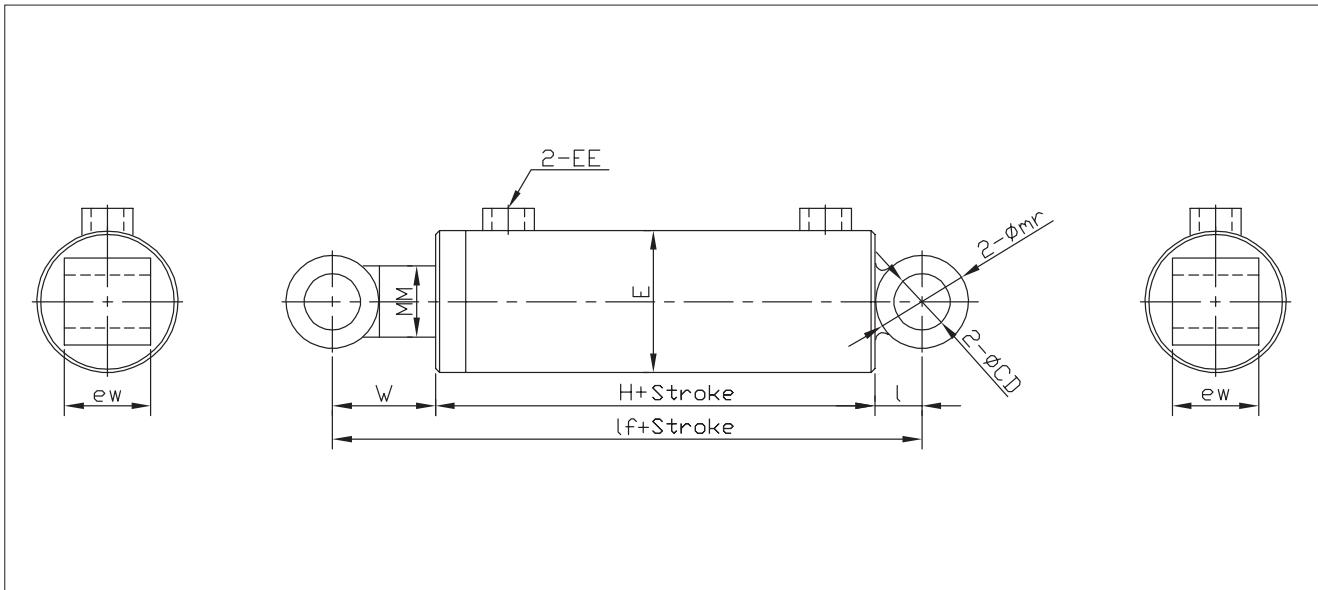
Stroke Tolerance

Unit : mm

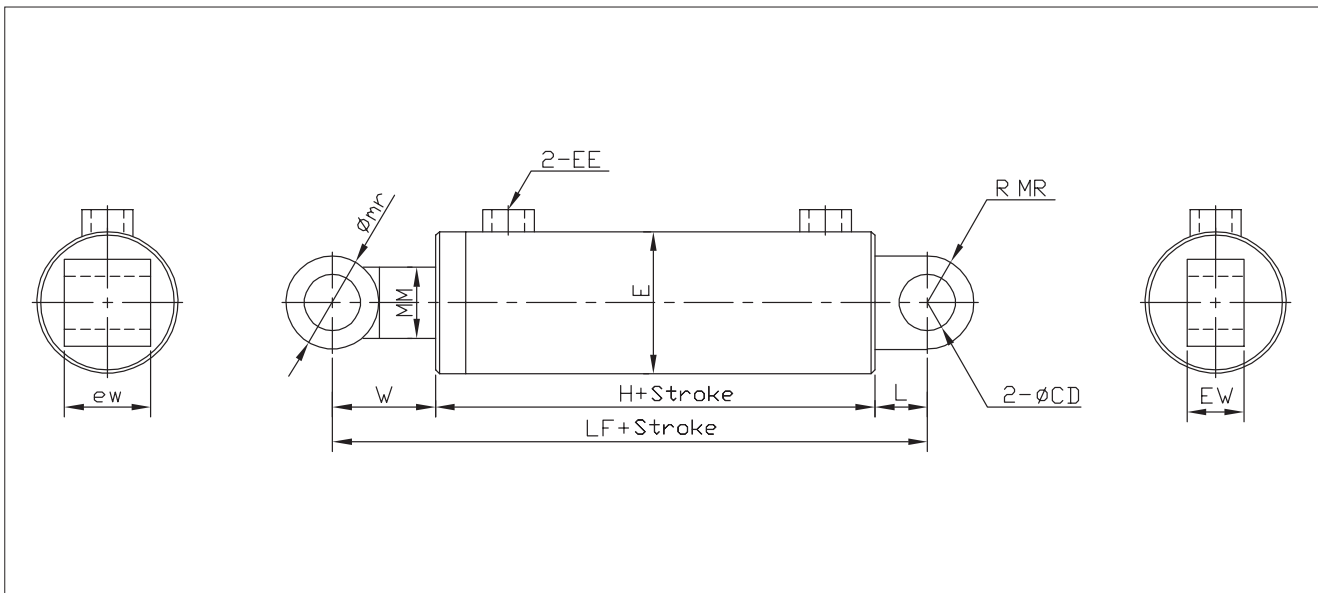
Bore Size	40	50	60	70	80	90	100
Tolerance	-	+6	-1	-5	-5	-10	-10

※ Available for KH01, KH001 series.

Dimensions-Both End Ring Mounting Cylinder (KH01: Agricultural Machine)



Dimensions-CA Ring Mounting Cylinder (KH001: Industry)

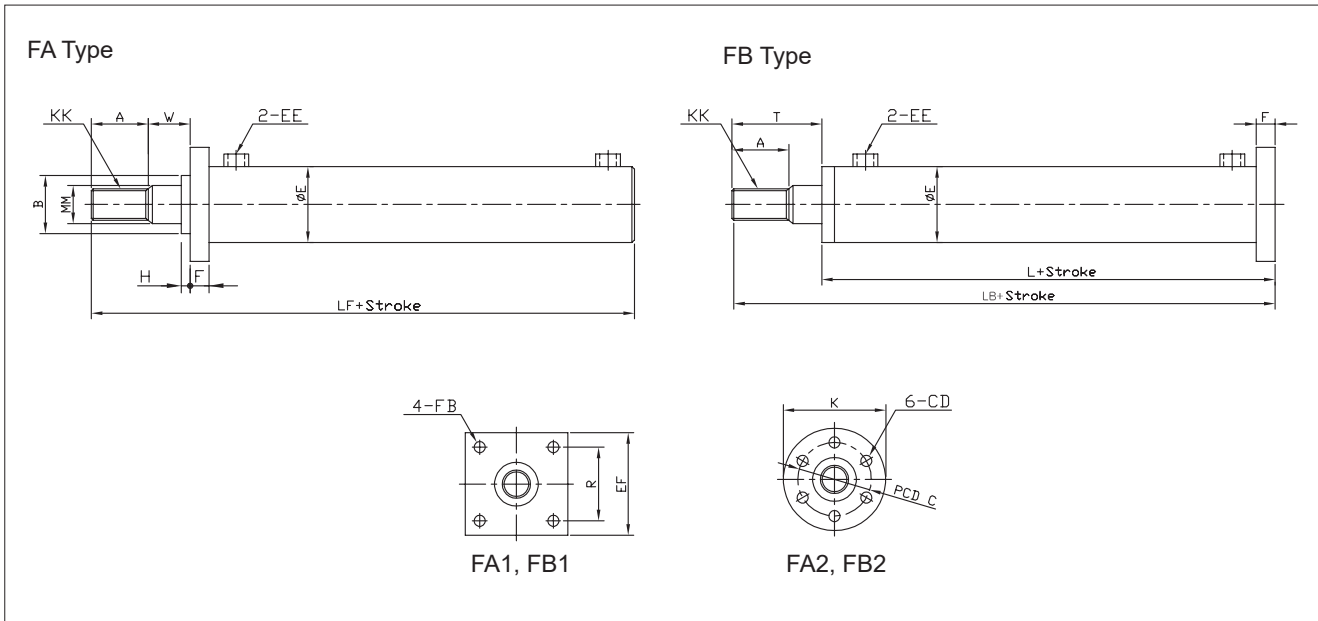


Unit : mm

Bore size	ØCD	ØE	EE	EW	H	L	LF	ØMM	R MR	W	Ømr	ℓ	ff	ew
Ø40	Ø25.5	Ø50	3/8	30	125	49	226	Ø25	25	52	44	22	199	40
Ø50	Ø25.5	Ø60	3/8	30	163	49	266	Ø30	25	54	44	22	239	40
Ø60	Ø25.5	Ø70	3/8	30	163	49	266	Ø40	25	54	44	22	239	*45/40
Ø70	Ø25.5	Ø80	1/2	35	163	39	256	Ø40	27	54	44	22	239	45
Ø80	Ø25.5	Ø90	1/2	35	163	39	256	Ø40	27	54	44	22	239	45
Ø90	Ø35.5	Ø100	1/2	40	163	49	271.5	Ø50	37	59.5	55	27.5	250	55
Ø100	Ø35.5	Ø110	1/2	40	163	49	271.5	Ø50	37	59.5	55	27.5	250	55
Ø110	Ø35.5	Ø130	1/2	40	183	49	297	Ø55	37	65	60	30	278	60
Ø125	Ø35.5	Ø145	1/2	45	184	60	314	Ø60	40	70	70	35	289	65
Ø140	Ø38.5	Ø160	1/2	50	189	60	324	Ø65	40	75	80	40	304	70
Ø150	Ø38.5	Ø168	1/2	50	194	60	329	Ø65	40	75	80	40	309	70
Ø160	Ø40.5	Ø180	1/2	60	195	70	345	Ø70	40	80	90	45	320	80

* For Ø60, front ring ew=45 and back ring ew=40 are the basic dimensions.

Dimensions-General Industry Cylinder (KH02)

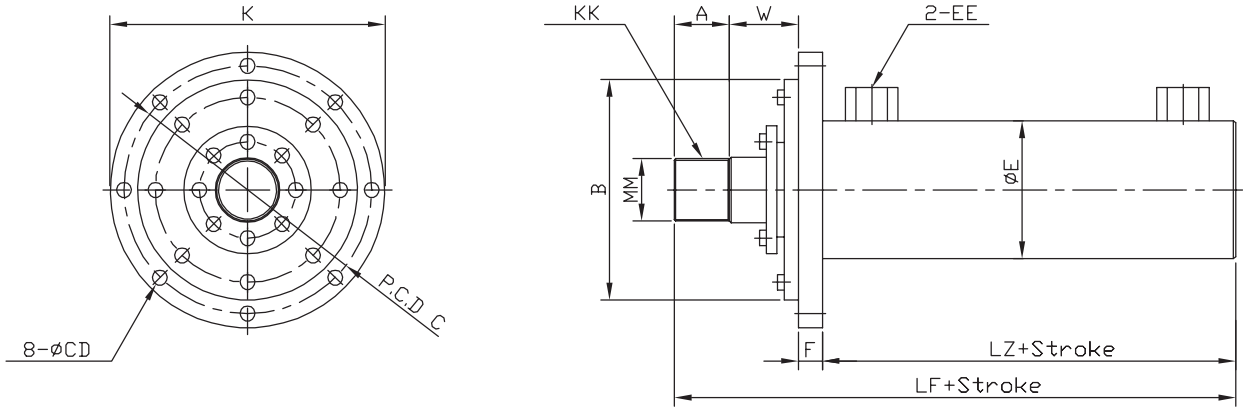


Unit : mm

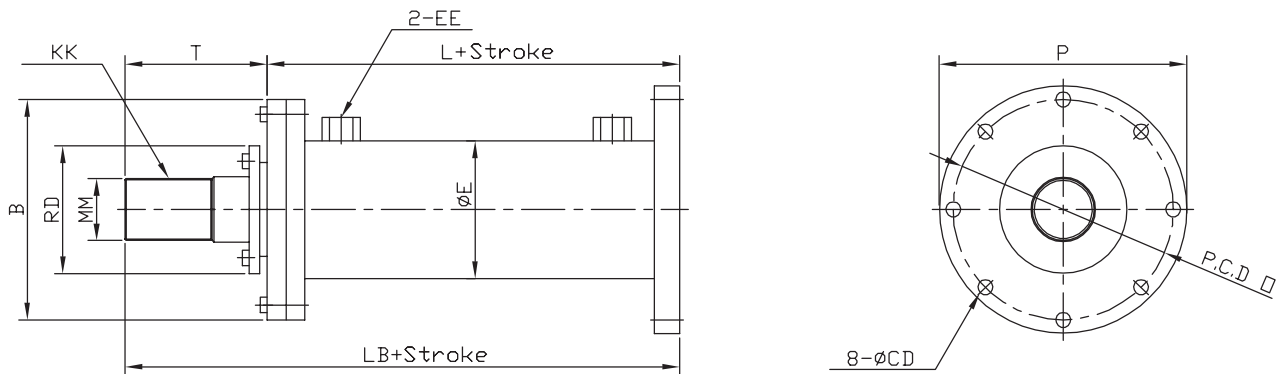
Bore size	A	ØB	C	ØCD	ØE	EE	□EF	F	ØFB	H	ØK	L	LB	LF	ØMM	□R	T	KK	W
Ø40	40	50	95	14.5	50	3/8	90	15	14.5	10	120	130	190	185	Ø25	65	60	M22×P1.5	30
Ø50	45	60	95	14.5	60	3/8	90	15	14.5	13	120	162	227	222	Ø30	65	65	M25×P1.5	33
Ø60	50	70	105	14.5	70	3/8	110	15	14.5	13	130	169	239	234	Ø40	80	70	M36×P1.5	33
Ø70	50	80	115	14.5	80	1/2	110	18	14.5	13	140	176	246	238	Ø40	80	70	M36×P1.5	33
Ø80	50	90	130	14.5	90	1/2	135	20	14.5	13	160	176	246	238	Ø40	102	70	M36×P1.5	43
Ø90	50	100	150	17.5	100	1/2	135	20	17.5	13	180	183	263	253	Ø45	102	80	M40×P1.5	43
Ø100	50	110	160	17.5	110	1/2	150	20	17.5	13	190	183	263	253	Ø50	115	80	M45×P1.5	43
Ø125	50	140	195	17.5	145	1/2	165	25	17.5	13	220	194	274	264	Ø60	134	80	M56×P2.0	43
Ø140	50	160	210	17.5	160	1/2	196	25	17.5	13	240	194	274	265	Ø65	148	80	M56×P2.0	43
Ø150	50	170	220	17.5	168	1/2	196	25	17.5	13	250	199	279	275	Ø65	148	80	M56×P2.0	43
Ø160	60	180	230	17.5	180	1/2	210	30	20.0	13	260	200	300	285	Ø70	170	90	M64×P2.0	43
Ø180	60	200	254	17.5	202	3/4	220	30	20.0	15	285	236	336	331	Ø80	180	100	M72×P2.0	53
Ø200	80	220	290	20.0	230	3/4	260	35	20.0	15	330	245	365	363	Ø90	220	120	M80×P2.0	53

Dimensions-General Industry Large Size Cylinder (KH03)

Rod Side Flange(FA)



Head Side Flange(FB)



Unit : mm

Bore size	A	ØB	C	ØCD	ØE	EE	F	ØK	KK	L	LB	LF	LZ	MM	O	ØP	ØRD	T	W
Ø200	80	320	360	Ø22	245	1	35	400	M90×P2.0	265	445	415	200	Ø95	300	340	160	180	100
Ø220	80	350	390	Ø22	260	1	35	440	M100×P2.0	265	445	415	200	Ø105	310	360	170	180	100
Ø250	90	390	440	Ø22	300	1	40	490	M110×P2.0	309	499	452	222	Ø115	360	410	180	190	100
Ø280	90	430	470	Ø25	330	1 1/4	45	520	M120×P2.0	354	544	492	257	Ø125	400	450	200	190	100
Ø300	100	450	520	Ø25	350	1 1/4	45	580	M125×P3.0	359	579	522	257	Ø130	420	470	210	220	120
Ø350	120	550	620	Ø25	410	1 1/4	50	680	M150×P3.0	374	614	552	262	Ø160	500	560	240	240	120
Ø400	120	620	700	Ø25	480	1 1/2	55	760	M150×P3.0	389	659	592	267	Ø160	580	640	240	270	150