

# SRJ series



SRJ2000A-02R



SRJ7000A-12RD

### Features

- Easy to install, compact design & light weight
- Low rotating resistance
- Non-lubricated type

## How to Order

SRJ 2000 A - 02 R D

①            ②            ③            ④            ⑤            ⑥

### ① Series

SRJ	Rotary joint for air / water
-----	------------------------------

### ② Body size

2000	1/4
3000	3/8
4000	1/2
5000	3/4
6000	1
7000	1 1/4
8000	1 1/2
9000	2

### ③ Fluid

A	Air
W	Water

### ④ Port size

		Body size							
		2000	3000	4000	5000	6000	7000	8000	9000
01	Rc(PT) 1/8	•							
02	Rc(PT) 1/4	•							
03	Rc(PT) 3/8		•						
04	Rc(PT) 1/2			•					
06	Rc(PT) 3/4				•				
10	Rc(PT) 1					•			
12	Rc(PT) 1 1/4						•		
14	Rc(PT) 1 1/2							•	
20	Rc(PT) 2								•

### ⑤ Thread type

R	Right thread (Standard)
L	Left thread

### ⑥ Type

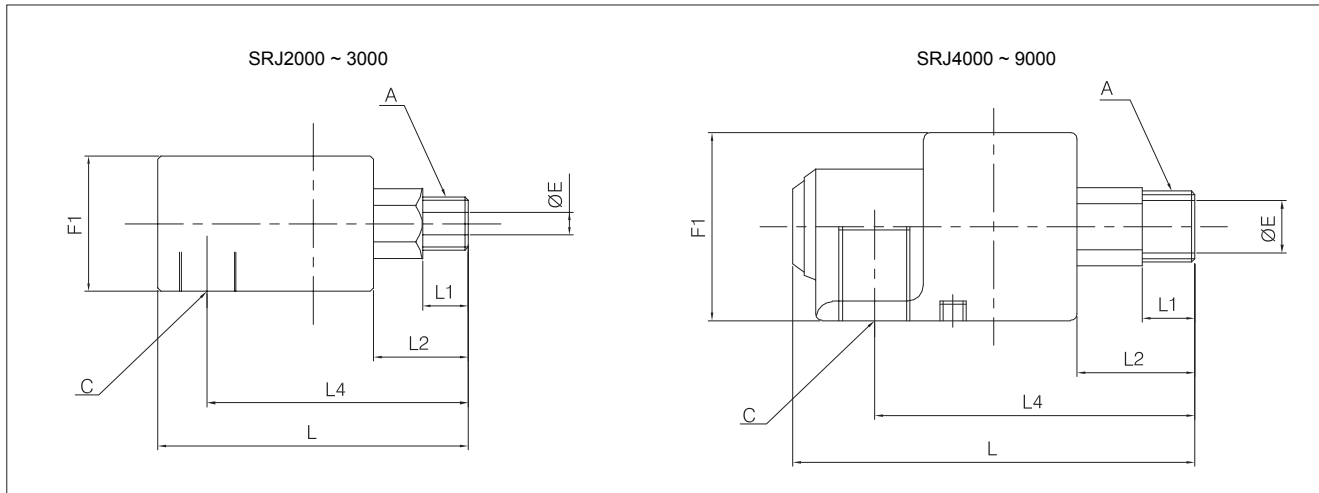
Nil	Simplex L
D	Double ※

※ Double type is not available for SRJ 2000 and SRJ 3000 series.

## Specifications

Fluid	Air			Water		
Max. pressure	9.9kgf/cm <sup>2</sup>					
Body size	2000 ~ 4000	5000 ~ 6000	7000 ~ 9000	2000 ~ 4000	5000 ~ 6000	7000 ~ 9000
Fluid temperature	Below 30℃			Below 40℃		
Max. RPM	800 ~ 900	600 ~ 700	500 ~ 600	1,000	700 ~ 800	600 ~ 700
Min. RPM	200		100	200		100
Material	AL					

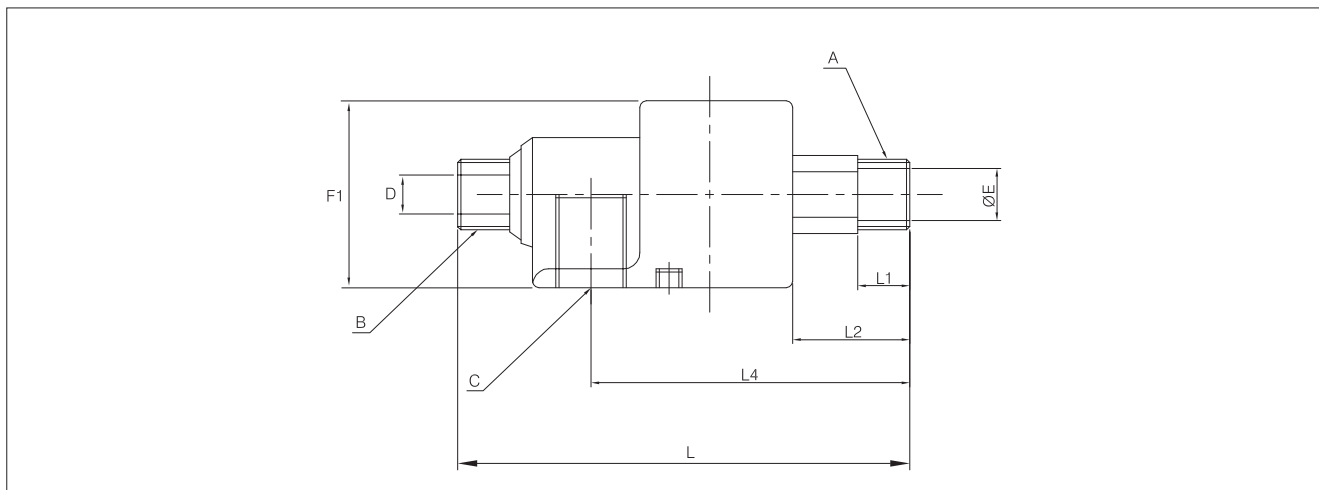
**Dimensions-Simplex L**



Unit:mm

Size	A	C	ØE	F1	L1	L2	L4	L
SRJ2000-01	1/8	1/8	5	42	15	32	84	95
SRJ2000-02	1/4	1/4	6	42	15	32	84	95
SRJ3000	3/8	3/8	7	42	15	32	84	95
SRJ4000	1/2	1/2	12	60	16	37	100	125
SRJ5000	3/4	3/4	16	67	18	40	109	135
SRJ6000	1	1	20	78	20	42	116	147
SRJ7000	1 1/4	1 1/4	32	95	25	50	140	176
SRJ8000	1 1/2	1 1/2	35	95	25	50	140	176
SRJ9000	2	2	46	122	30	55	158	207

**Dimensions-Double**



Unit:mm

Size	A	B	C	D (PF)	ØE	F1	L1	L2	L4	L
SRJ4000-D	1/2	1/2	1/2	1/8	12	60	16	37	100	145
SRJ5000-D	3/4	3/4	1/2	1/4	16	67	18	40	107	157
SRJ6000-D	1	1	3/4	3/8	20	78	20	42	116	167
SRJ7000-D	1 1/4	1 1/4	1	1/2	32	95	25	50	140	200
SRJ8000-D	1 1/2	1 1/2	1	3/4	35	95	25	50	140	200
SRJ9000-D	2	2	1 1/2	1	46	122	30	55	158	235