



# D-F59K / D-F5PK / D-J59K series

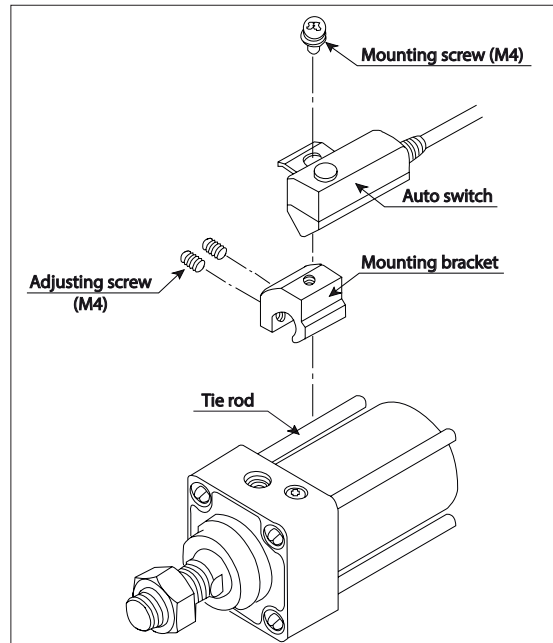


Applicable cylinder	Symbol
ACM Ø40, Ø50, Ø63, Ø80, Ø100 ACL Ø125, Ø140, Ø150, Ø160 KP70HL/140HL Ø40, Ø50, Ø63, Ø80	

## Specifications

Model	D-F59K	D-F5PK	D-J59K
Wiring method	3-wire		2-wire
Output	NPN	PNP	-
Load	Relay, PLC, IC circuit		DC24V Relay, PLC
Voltage	DC5, 12, 24V (DC4.5~28V)		-
Current consumption	≤8mA	≤10mA	-
Load voltage	≤DC28V	-	DC24V (DC10~28V)
Load current	≤150mA	≤100mA	5~150mA
Internal voltage drop	≤0.8V		≤3V
Indicator lamp	Red LED		
Wire length	1m (Standard), 3m, 5m		

## Mounting

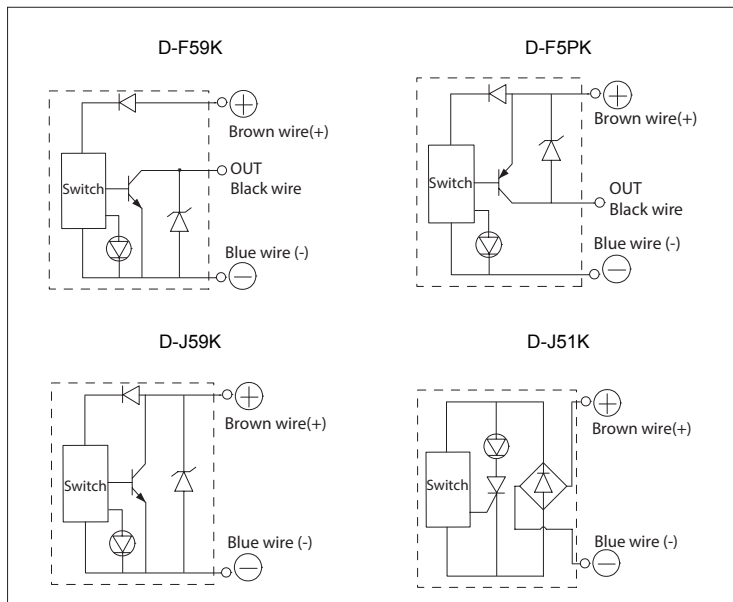


## Weight

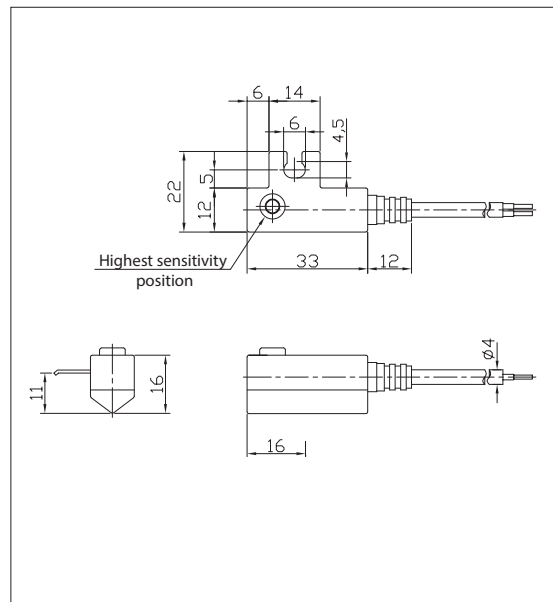
Unit: g

Model	D-F59K	D-F5PK	D-J59K
Wire length(m)			
1	38		36
3	96		86
5	152		136

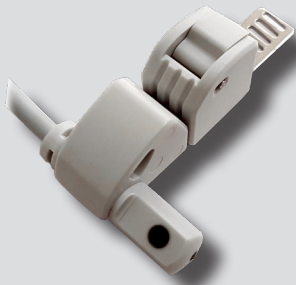
## Circuit Diagram



## Dimensions



# D-F59KN / D-F5PKN / D-J59KN series



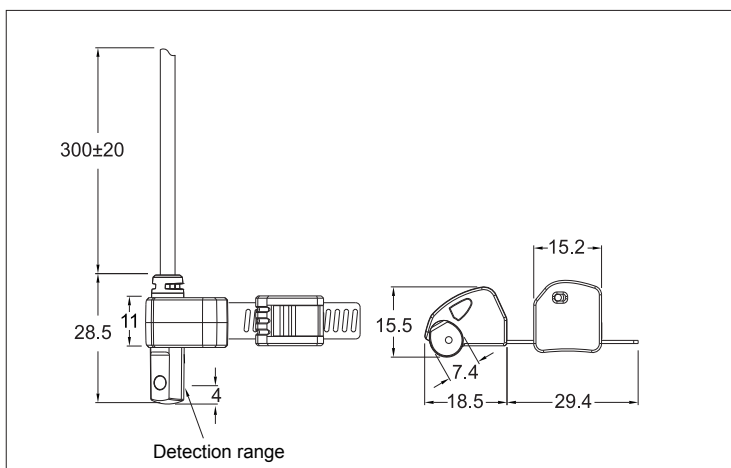
Applicable cylinder	Symbol
ACM Ø40 ~ Ø100 ACL Ø125 ~ Ø200 KP140HL Ø40 ~ Ø100	

## Specifications

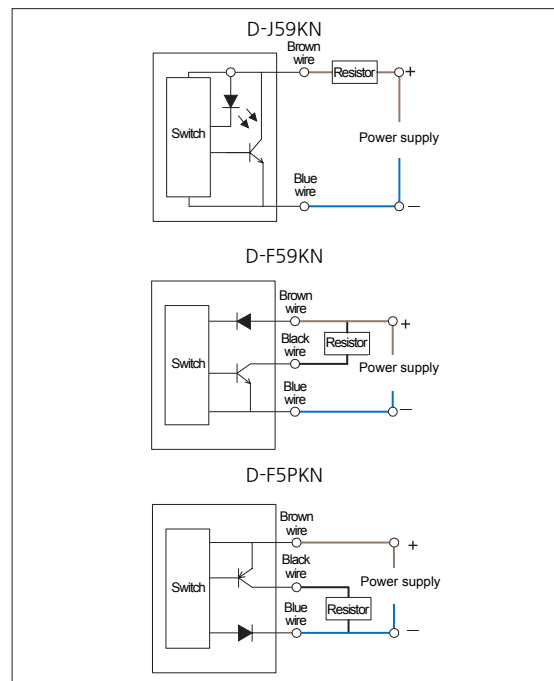
Model	D-J59KN	D-F59KN	D-F5PKN
Wiring method	2-wire	3-wire	
Switch logic	Solid State Output, Normally Open		
Output	-	NPN	PNP
Application	Relay, PLC		
Voltage	5~30V DC		
Switching current	≤50mA	≤200mA	
Contact capacity ※1	≤1.5W	≤6W	
Current consumption	-	≤6mA @ 24V DC	
Internal voltage drop	≤3.7V	≤0.5V @ 200mA	
Indicator lamp	Red LED		Green LED
Lead wire	Ø3.3, 2C, PVC	Ø3.3, 3C, PVC	
Operating frequency	≤1000Hz		
Required magnetic gauss ※2	40Gauss		
Ambient Temperature	-10~70°C		
Shock resistance ※3	50G		
Vibration resistance ※4	9G		
Protection Structure	IEC 60529 IP67		
Wire length	300mm		

- ※1 The contact capacity cannot be exceeded. (P=VxI)
- ※2 Standard target measurement: Ø15.5xØ8xØ5t (anisotropic rubber magnet)
- ※3 Sine wave / X, Y, Z, 3 directions / 3 times in each direction / 11ms each time
- ※4 Double vibration width 1.5mm / 10Hz~55Hz~10Hz (1 minute) / Operating X, Y, Z axis for 1 hour each time

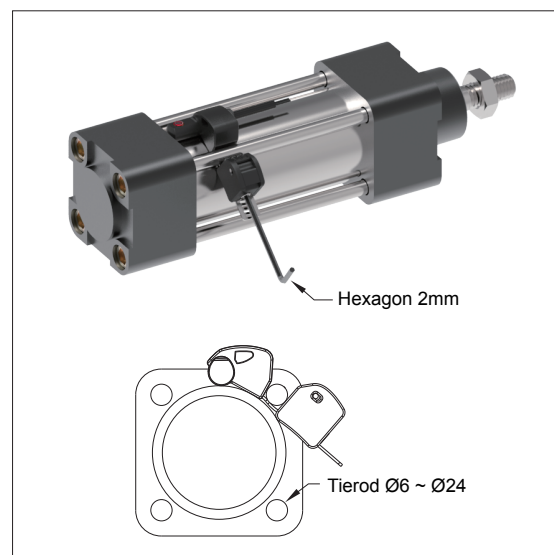
## Dimensions



## Circuit Diagram



## Mounting



# D-H7A1K / D-H7A2K / D-H7BK series



Applicable cylinder	Symbol
ACP Ø6, Ø10, Ø16 ACS2/3 Ø20, Ø25, Ø32, Ø40	

## Specifications

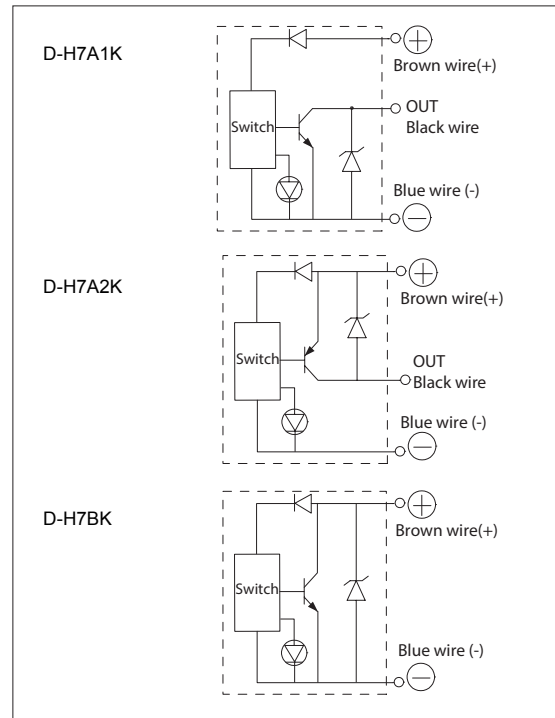
Model	D-H7A1K	D-H7A2K	D-H7BK
Wiring method	3-wire		2-wire
Output	NPN	PNP	-
Load	Relay, PLC, IC circuit		DC24V Relay, PLC
Voltage	DC5, 12, 24V (DC4.5~28V)		-
Current consumption	≤8mA	≤10mA	-
Load voltage	DC28V	-	DC24V (DC10~28V)
Load current	≤150mA	≤100mA	5~150mA
Internal voltage drop	≤0.8V		≤3V
Indicator lamp	Red LED		
Wire length	1m (Standard), 3m, 5m		

## Weight

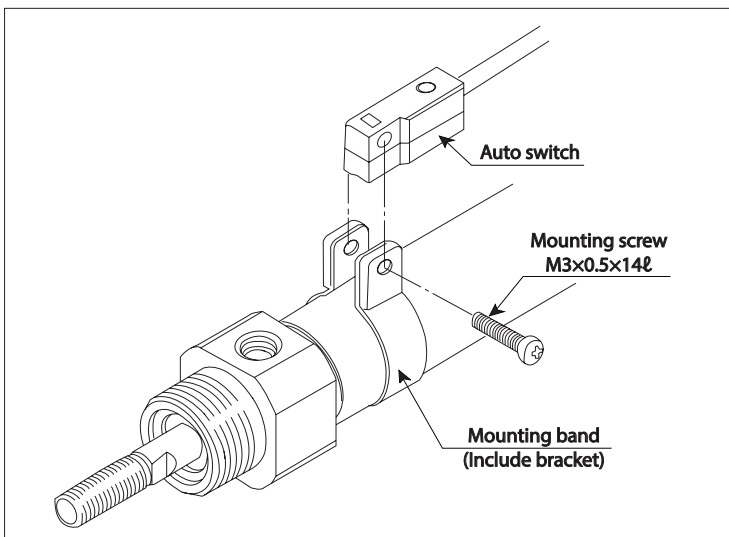
Model		D-H7A1K	D-H7A2K	D-H7BK
Wire length(m)	1	18		16
	3	51		44
	5	83		72

Unit: g

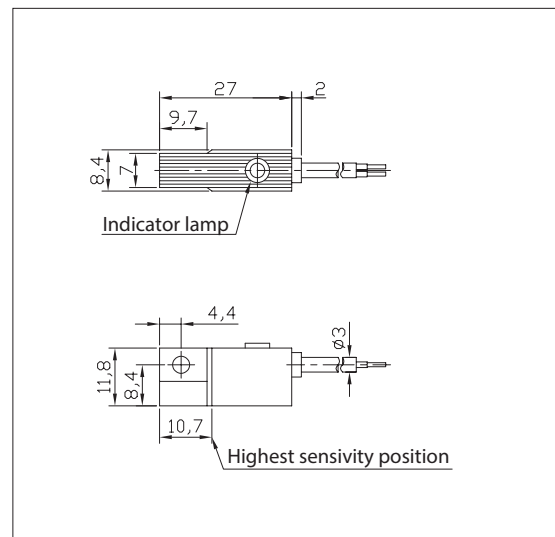
## Circuit Diagram



## Mounting



## Dimensions



# D-F7NVK / D-F7PVK / D-F7BVK series

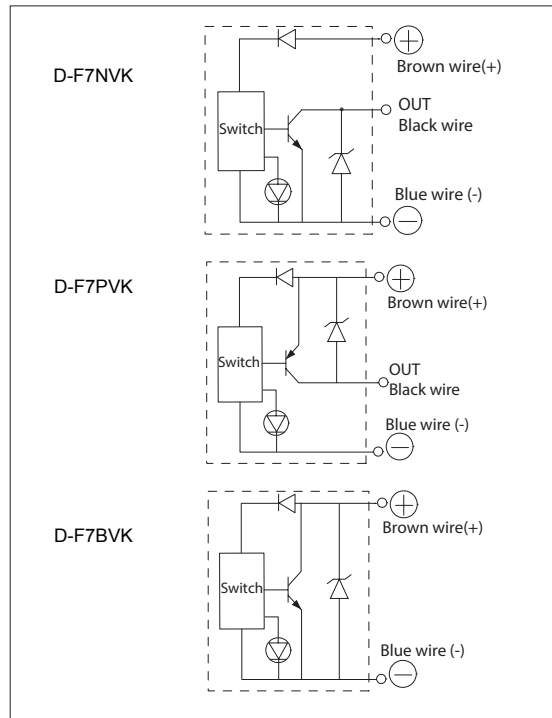


Applicable cylinder	Symbol
ADF Ø20, Ø25, Ø32, Ø40, Ø50, Ø63, Ø80, Ø100, Ø125	

## Specifications

Model	D-F7NVK	D-F7PVK	D-F7BVK
Wiring method	3-wire		2-wire
Output	NPN	PNP	-
Load	Relay, PLC, IC circuit		DC24V Relay, PLC
Voltage	DC5, 12, 24V (DC4.5~28V)		-
Current consumption	≤8mA	≤10mA	-
Load voltage	≤DC28V	-	DC24V (DC10~28V)
Load current	≤150mA	≤100mA	5~150mA
Internal voltage drop	≤0.8V		≤3V
Indicator lamp	Red LED		
Wire length	1m (Standard), 3m, 5m		

## Circuit Diagram

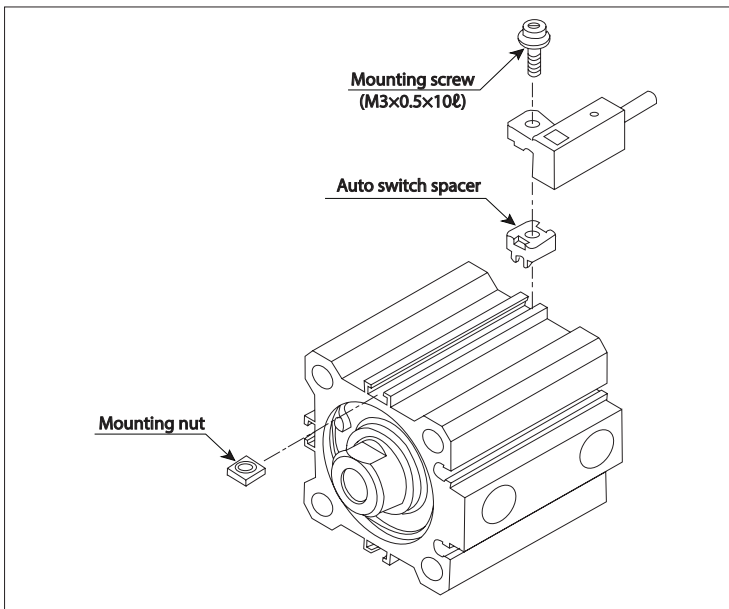


## Weight

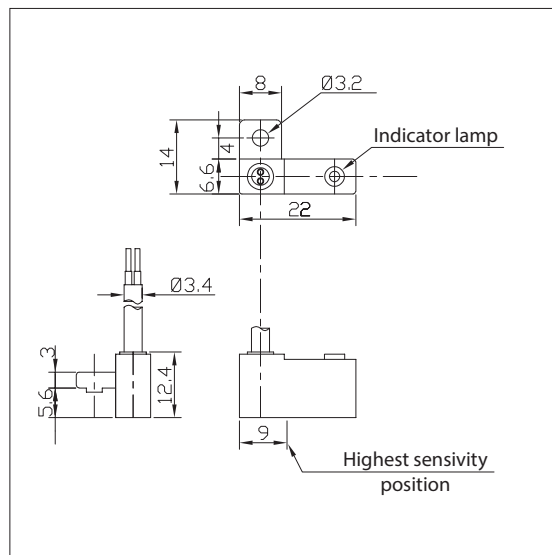
Unit: g

Model		D-F7NVK	D-F7PVK	D-F7BVK
Wire length(m)	1	18		16
	3	53		46
	5	87		76

## Mounting



## Dimensions



# D-F9N(V)K / D-F9P(V)K / D-F9B(V)K



Applicable cylinder	Symbol
Direct mounting/ ADF Ø12,Ø16,Ø20,Ø25,Ø32,Ø40,Ø50,Ø63,Ø80,Ø100,Ø125	
Bracket mounting/ ACM Ø40,Ø50,Ø63,Ø80,Ø100 ACL Ø125,Ø140,Ø150,Ø160 KP70HL/140HL Ø40,Ø50,Ø63,Ø80	

## Specifications

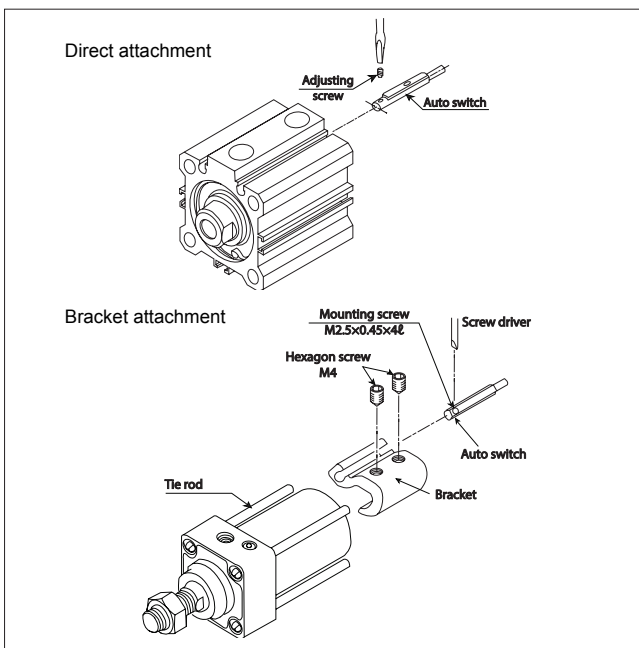
Model	D-F9N(V)K	D-F9P(V)K	D-F9B(V)K
Wiring method	3-wire		2-wire
Output	NPN	PNP	-
Load	DC24V Relay, PLC		
Voltage	DC5, 12, 24V (DC4.5~28V)		-
Current consumption	≤8mA	≤10mA	-
Load voltage	≤DC28V	-	DC24V (DC10~28V)
Load current	≤80mA		5~30mA
Internal voltage drop	≤0.4V	≤1.5V	≤4.5V
Indicator lamp	Red LED		
Wire length	1m (Standard), 3m, 5m		

## Weight

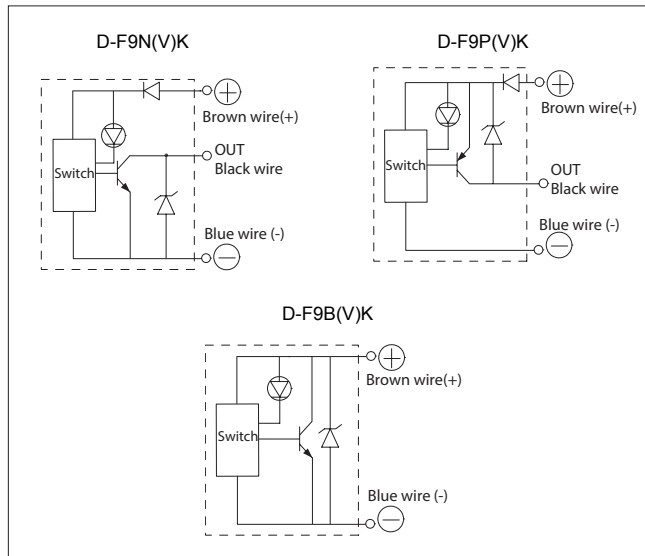
Unit: g

Model	D-F9N(V)K	D-F9P(V)K	D-F9B(V)K
1	11	10	10
3	36	30	30
5	60	50	50

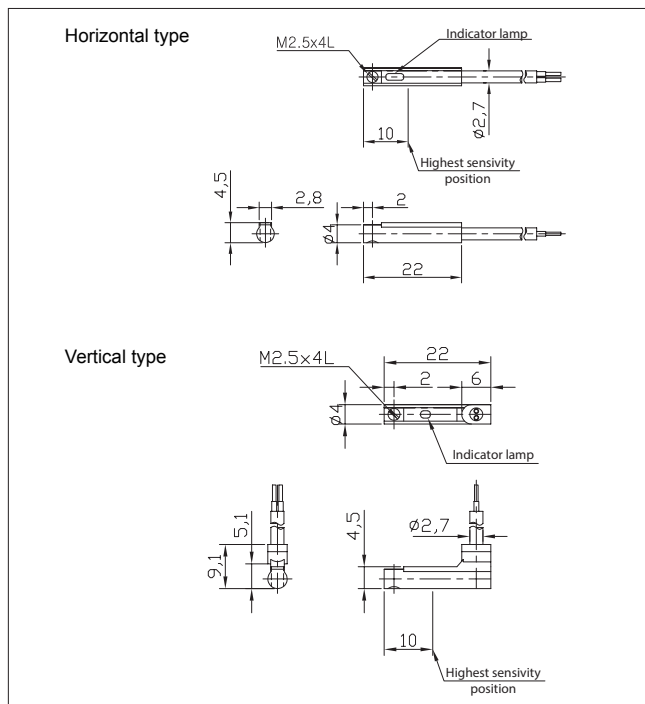
## Mounting



## Circuit Diagram



## Dimensions



# D-F9B(V)K-S / D-F9N(V)K-S / D-F9P(V)K-S series



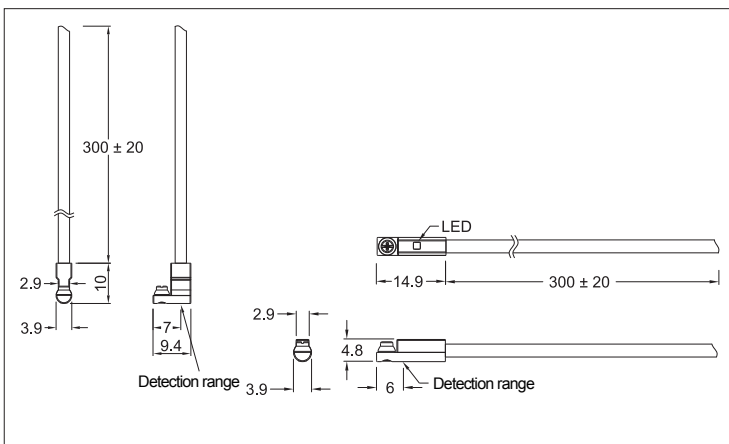
Applicable cylinder
Direct attachment/ ADF Ø12,Ø16,Ø20,Ø25,Ø32,Ø40,Ø50,Ø63,Ø80,Ø100,Ø125
Bracket attachment/ ACM Ø40,Ø50,Ø63,Ø80,Ø100 ACL Ø125,Ø140,Ø150,Ø160 KP140HL Ø40,Ø50,Ø63,Ø80
Symbol

## Specifications

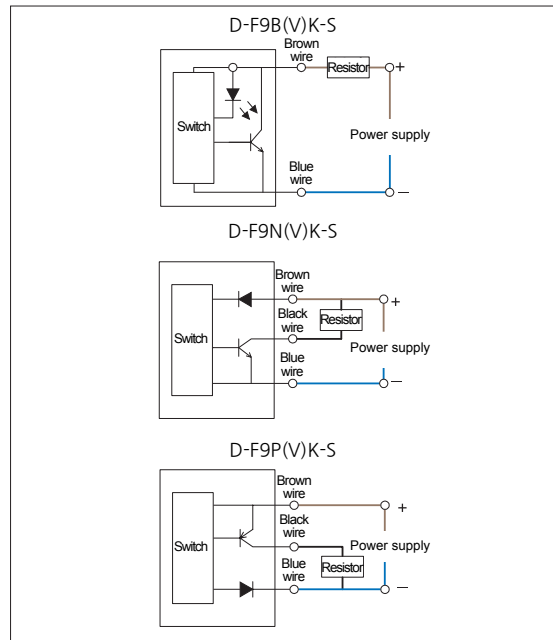
Model	D-F9B(V)K-S	D-F9N(V)K-S	D-F9P(V)K-S
Wiring method	2-wire	3-wire	
Switch logic	Solid State Output, Normally Open		
Output	-	NPN	PNP
Application	Relay, PLC		
Voltage	5~30V DC		
Switching current	≤50mA	≤80mA	
Contact capacity ※1	≤1.5W	≤2.2W	
Current consumption	-	≤10mA @ 24V DC	
Internal voltage drop	≤3.5V	≤0.5V @ 200mA	
Indicator lamp	Red LED		
Lead wire	Ø2.6, 2C, PVC	Ø2.6, 3C, PVC	
Operating frequency	200Hz	≤1000Hz	
Required magnetic gauss ※2	70Gauss	40 ~ 1000Gauss	
Ambient Temperature	-10~70°C		
Shock resistance ※3	30G	50G	
Vibration resistance ※4	9G		
Protection Structure	IEC 60529 IP67		
Wire length	300mm		

- ※1 The contact capacity cannot be exceeded. (P=VxI)
- ※2 Standard target measurement: Ø15.5xØ8xØ5t (anisotropic rubber magnet)
- ※3 Sine wave / X, Y, Z, 3 directions / 3 times in each direction / 11ms each time
- ※4 Double vibration width 1.5mm / 10Hz~55Hz~10Hz (1 minute) / Operating X, Y, Z axis for 1 hour each time

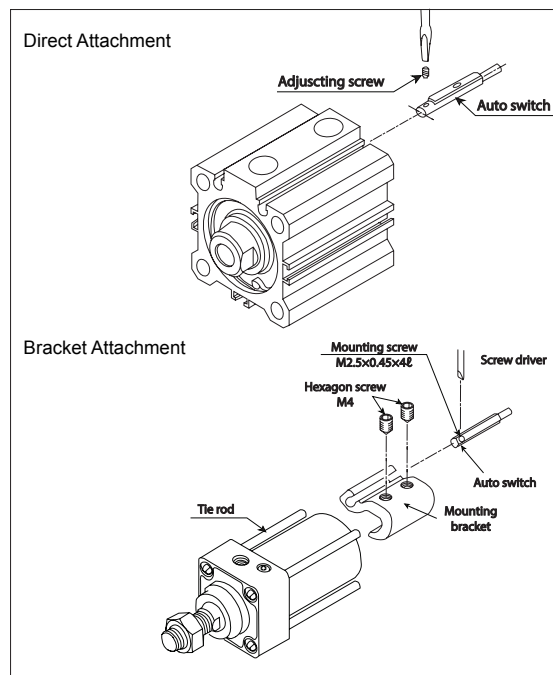
## Dimensions



## Circuit Diagram



## Mounting



# D-Y59AK / D-Y7PK / D-Y59BK series

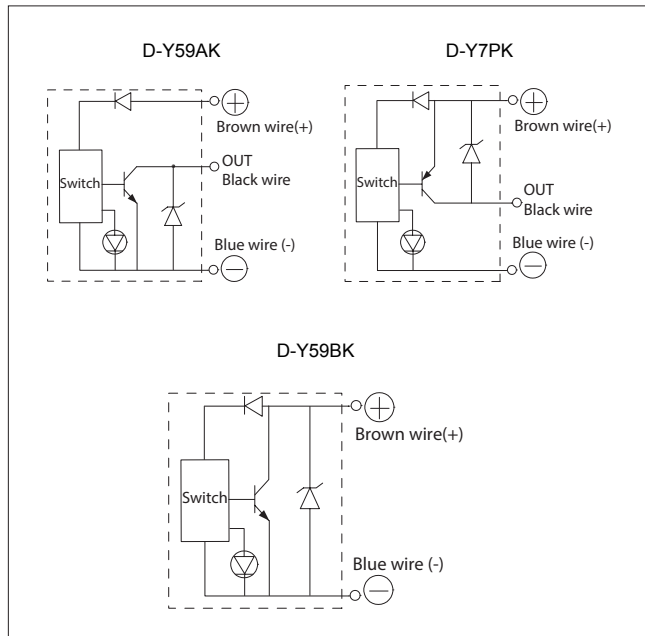


Applicable cylinder	Symbol
KP125A/160A Ø20, Ø25, Ø32, Ø40, Ø50, Ø63, Ø80	
AFG Ø12, Ø16, Ø20, Ø25, Ø32, Ø40, Ø50, Ø63, Ø80, 100	

## Specifications

Model	D-Y59AK	D-Y7PK	D-Y59BK
Wiring method	3-wire		2-wire
Output	NPN	PNP	-
Load	Relay, PLC, IC circuit		DC24V Relay, PLC
Voltage	DC5, 12, 24V (DC4.5~28V)		-
Current consumption	≤12mA	≤15mA	-
Load voltage	≤DC28V	-	DC24V (DC10~28V)
Load current	≤150mA	≤100mA	5~150mA
Internal voltage drop	≤0.8V		≤3V
Indicator lamp	Red LED		
Wire length	1m (Standard), 3m, 5m		

## Circuit Diagram

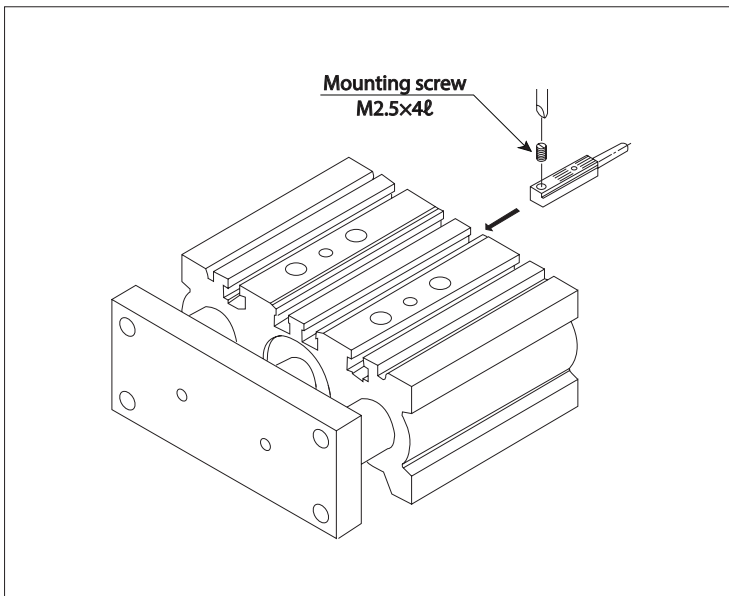


## Weight

Model		D-Y59AK	D-Y59BK	D-Y7P(V)
Wire length (m)	1	13		12
	3	37		34
	5	60		56

Unit: g

## Mounting



## Dimensions

