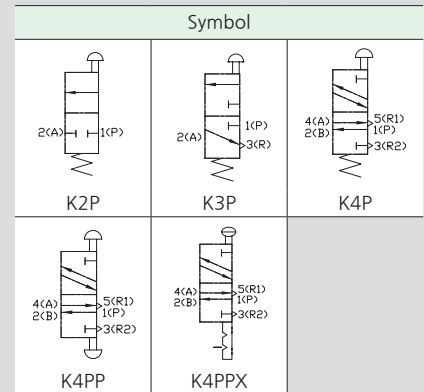
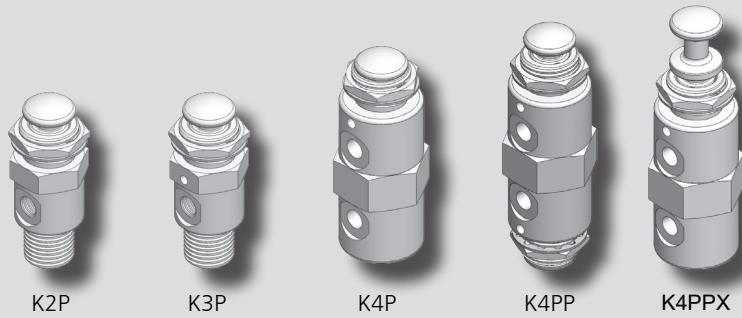


K series



How to order

K3P - **34A**

① ②

① Model

K2P	2 Port-Push button spring return
K3P	3 Port-Push button spring return
K4P	5 Port-Push button spring return
K4PP	5 Port-Double push button holding
K4PPX	5 Port-Push pull button holding

② Valve actuating actuator(Only push button type)

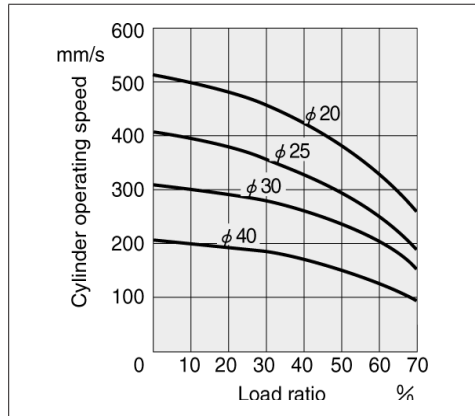
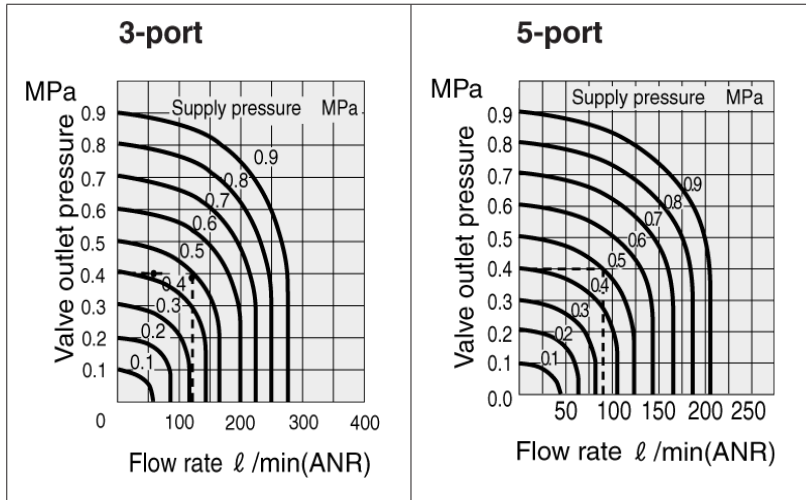
Basic	Air Pilot Type				Manual, Mechanical Type	
Nil	34A (High Pressure)	341A (Medium Pressure)	34AL (Low Pressure)	34AR (Self Return)	34B (Ball Cam)	34C (Roller Cam)

Specifications

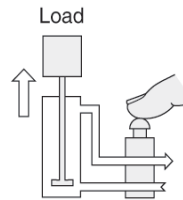
Type	K2P	K3P	K4P	K4PP	K4PPX
Fluid	Air, Inert gas				
Port size	Male thread: Rc(PT)1/8, Female thread: M5×0.8				
Effective sectional area Smm ² (Cv)	1.8(0.08)		2.5(0.12)		
Operating pressure	0~9kgf/cm ² (0~0.9MPa)				
Proof pressure	13.5kgf/cm ² (1.35MPa)				
Max. operating frequency	5 cycle/sec				
Lubrication	Not required (However, when refueling Turbine oil ISO VG32 or equivalent)				
Type of actuator	Push button spring return			Double push button holding	Push pull button holding
Number of port	2 N/C	3 N/C	5		
Stroke	2.4mm (Pre-Stroke 0.8mm, Main Stroke 0.8mm, Over Stroke 0.8mm)				
Ambient & fluid temperature	0 ~ 60°C				
Accessory Lock Nut(110-21A) Lock Washer(100-35)	1 Each			2 Each	1 Each
Weight	35g	30g	66g	71g	68g

Flow Rate

Cylinder Operating Speed



How to Read Graph:
For a primary pressure 5kgf/cm² (0.5MPa) and a flow rate 85 l/min (ANR) the valve outlet pressure is 4kgf/cm² (0.4MPa)



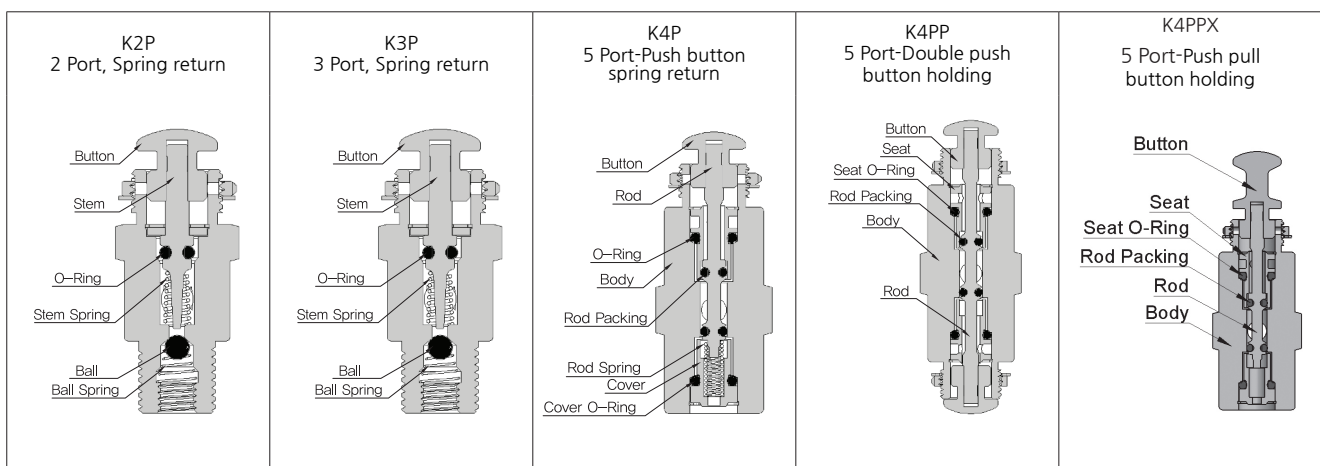
How to Use

1. The force acts from the top. (Vertical)
2. Operating pressure is 0.5MPa.
3. Uses a tube with a 4mm diameter and a 500mm length.

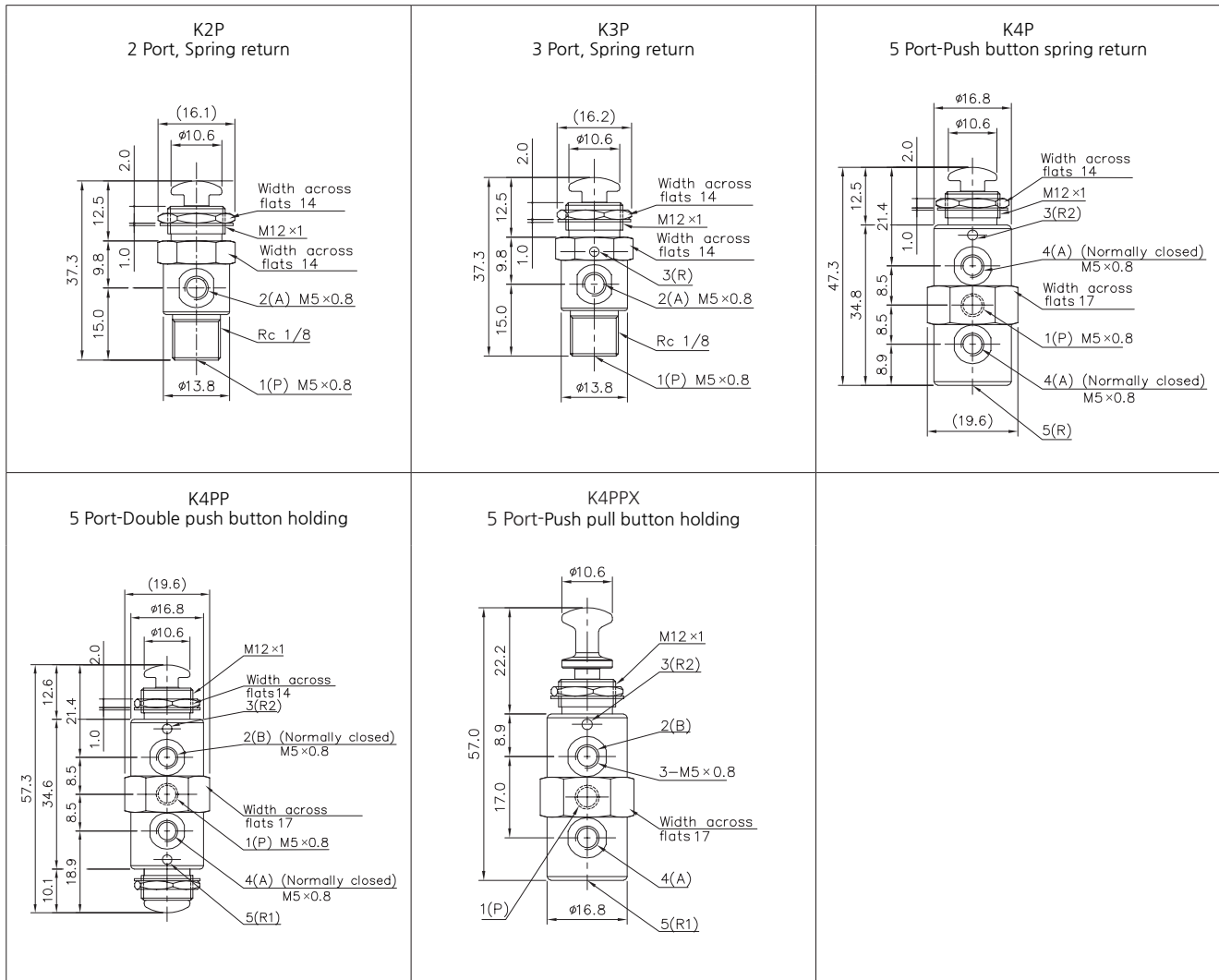
Push Button Min. Operating Force

Type	Air Pressure	0.2 MPa	0.4 MPa	0.7 MPa
K2P	N [kgf]	29.4[3] (19.6[2])	44.1[4.5] (21.6[2.2])	63.7[6.5] (23.5[2.4])
K3P	N [kgf]	19.6[2]	24.5[2.5]	29.4[3]
K4P	N [kgf]	19.6[2]	21.6[2.2]	23.5[2.4]
K4PP	N [kgf]	4.9[0.5]	5.9[0.6]	6.9[0.7]

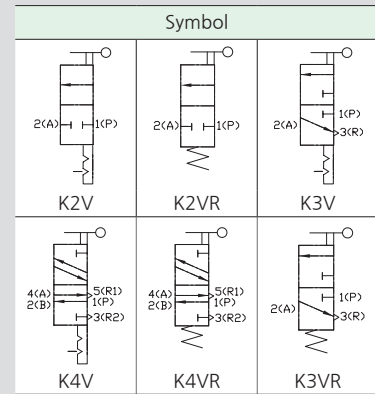
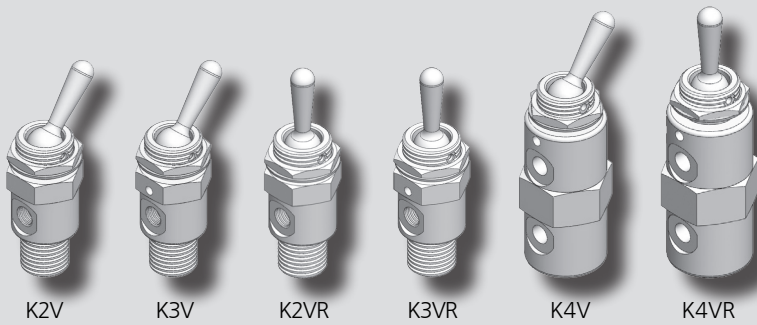
Structure



Dimensions



K series

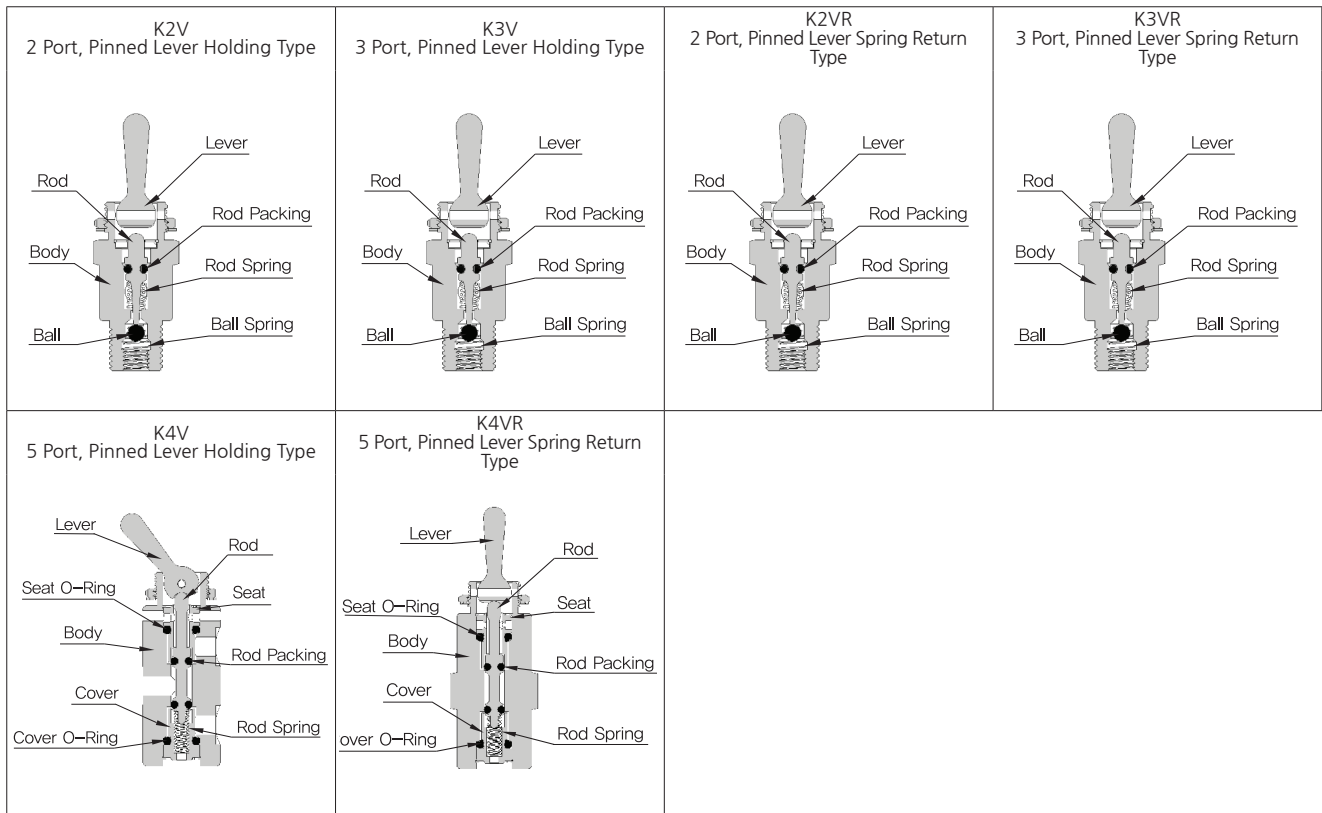


Specifications

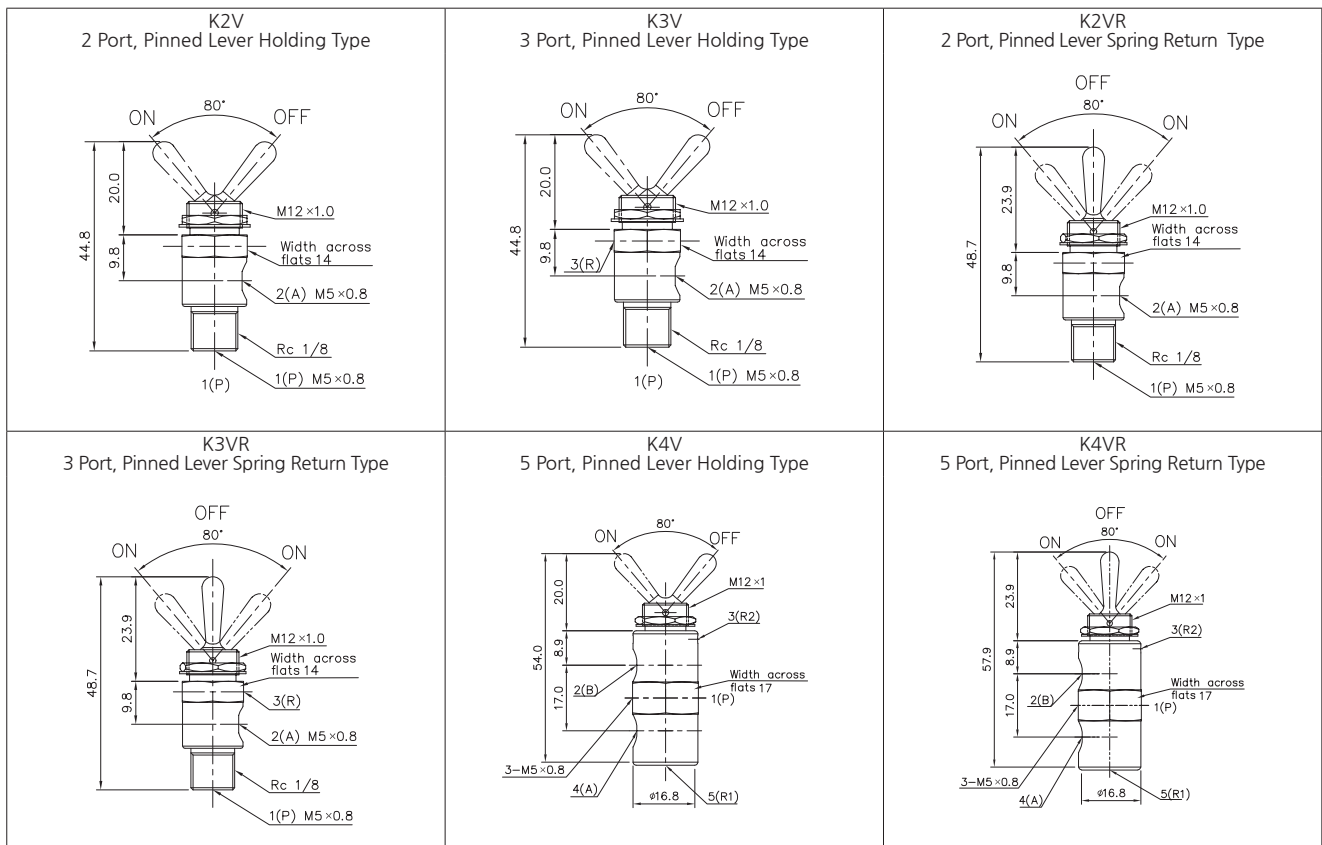
Type	K2V	K3V	K2VR	K3VR	K4V	K4VR
Fluid	Air, Inert gas					
Port size	Male thread: Rc(PT)1/8, Female thread: M5×0.8					
Effective sectional area Smm ² (Cv)	1.8(0.08)			2.5(0.12)		
Operating pressure	0~9kgf/cm ² (0~0.9MPa)					
Proof pressure	13.5kgf/cm ² (1.35MPa)					
Max. operating frequency	5 cycle/sec					
Lubrication	Not required					
Type of actuator	Pinned Lever					
	Pin lever holding type		Pin lever spring return		Pin lever Holding	Pin lever Spring return
Number of port	2 Port	3 Port	2 Port, N.C	3 Port, N.C	5 Port	
Operating angle	80°					
Ambient & fluid temperature	0℃ ~ 60℃					
Accessory Lock Nut(110-21A) Lock Washer(100-35)	1 Each					
Weight	30g			66g		



Structure



Dimensions



Applicable Valve for Different Actuator

Air Pilot type

- 34A(High pressure) : K2P, K3P, K4P, K4PP, K31P, K41P, K41PP
- 341A(Medium pressure) : K2P, K3P, K4P, K4PP, K31P, K41P, K41PP
- 34AL(Low pressure) : K2P, K3P, K4P, K4PP, K31P, K41P, K41PP
- 34AR(Self return) : K2P, K3P, K4P, K4PP, K31P, K41P, K41PP

Manual, Mechanical type

- 34B(Ball cam) : K2P, K3P, K4P, K4PP, K31P, K41P, K41PP
- 34C(Roller cam) : K2P, K3P, K4P, K4PP, K31P, K41P, K41PP

Actuator (Push Button Operating type)

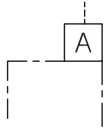
Air Pilot Type				Manual, Mechanical Type	
34A (High Pressure)	341A (Medium Pressure)	34AL (Low Pressure)	34AR (Self Return)	34B (Ball Cam)	34C (Roller Cam)

Example of Valve with Different Actuators

K31P-34A	K31P-341A	K31P-34AL	K41P-34AR	K41P-34B	K41P-34C

34A-Air Pilot(High Pressure Type)

Symbol



Max. operating pressure	0.9MPa
Proof pressure	1.35MPa
Lubrication	Not required
Weight	29g

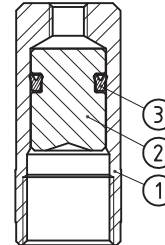
Min Pilot Pressure (MPa)

Air Pressure Valve model	0.2MPa	0.4MPa	0.7MPa
K2P	0.4 (0.25)	0.54 (0.26)	0.72 (0.29)
K3P	0.24	0.26	0.34
K4P	0.24	0.25	0.25
K4PP	0.08	0.08	0.08

※ () shows the figure when port 2(A) is open to the atmosphere.

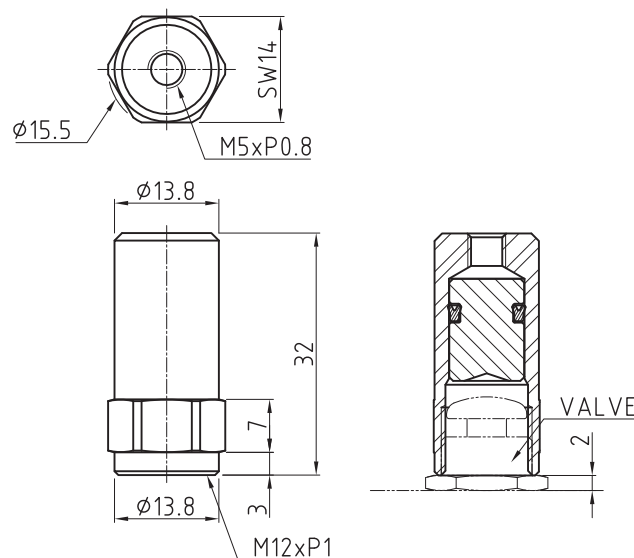
Air Pressure Valve model	0.1MPa	0.3MPa	0.5MPa	0.7MPa
K31P	0.3	0.34	0.35	0.39
K41P	0.46	0.48	0.5	0.52
K41PP	0.13	0.14	0.18	0.21

Structure



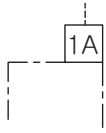
Part no.	Parts	Material
1	BODY	BRASS
2	PISTON	PLASTIC
3	PISTON SEAL	RUBBER

Dimensions



341A-Air Pilot (Medium Pressure Type)

Symbol

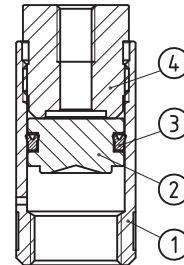


Max. operating pressure	0.9MPa
Proof pressure	1.35MPa
Lubrication	Not required
Weight	30g

Min Pilot Pressure (MPa)

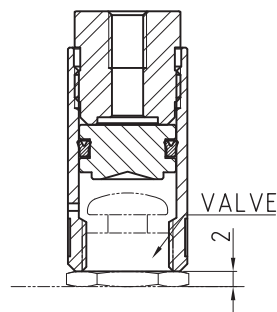
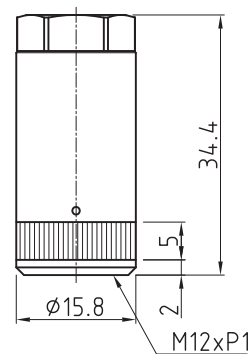
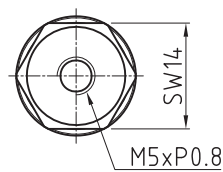
Air pressure Valve Model	0.1MPa	0.3MPa	0.5MPa	0.7MPa
K31P	0.18	0.2	0.22	0.25
K41P	0.29	0.3	0.31	0.33
K41PP	0.09	0.11	0.13	0.15

Structure



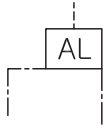
Part no.	Parts	Material
1	BODY	BRASS
2	PISTON	PLASTIC
3	PISTON SEAL	RUBBER
4	ADAPTER	BRASS

Dimensions



34AL-Air Pilot (Low Pressure Type)

Symbol



Max. operating pressure	0.9MPa
Proof pressure	1.35MPa
Lubrication	Lubricated
Weight	90g

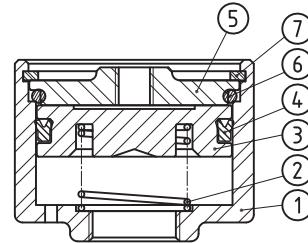
Min Pilot Pressure (MPa)

Air pressure Valve Model	0.2MPa	0.4MPa	0.7MPa
K2P	0.07(0.05)	0.1(0.05)	0.12(0.06)
K3P	0.05	0.05	0.06
K4P	0.05		
K4PP	0.03		

※ () shows the figure when port 2(A) is open to the atmosphere.

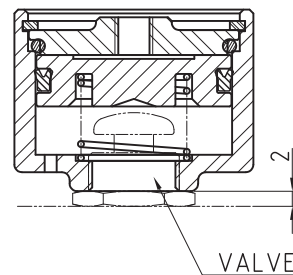
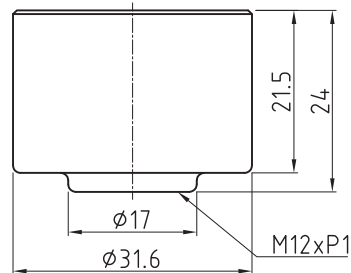
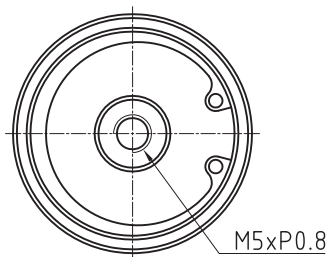
Air pressure Valve Model	0.1MPa	0.3MPa	0.5MPa	0.7MPa
K31P	0.07	0.07	0.08	0.09
K41P	0.09	0.1	0.1	0.11
K41PP	0.04	0.05	0.05	0.06

Structure



Part no.	Parts	Material
1	BODY	BRASS
2	SPRING	SUS
3	PISTON	PLASTIC
4	PISTON SEAL	RUBBER
5	COVER	BRASS
6	O-RING	RUBBER
7	C-RING	METAL

Dimensions

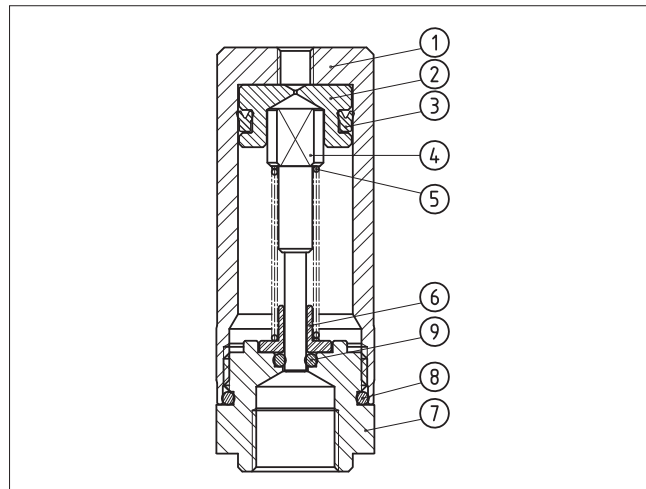


34AR-Air Pilot (Self Return)

Symbol		
	Max. operating pressure	0.27~0.9MPa
	Operating pressure	0.27MPa
	Proof pressure	1.35MPa
	Lubrication	Lubricated
	Weight	122g

※ 34AR operates immediately after receiving pilot pressure, it returns to its original position after approximately 0.5 second.
 ※ Even when pilot pressure is applied continuously, since 34AR has already returned to its original position, valve (41PP) can be switched by the other operator.
 ※ Ensure that adequately large flow rate of pilot air is applied to 34AR. (Do not supply flows gradually.)

Structure

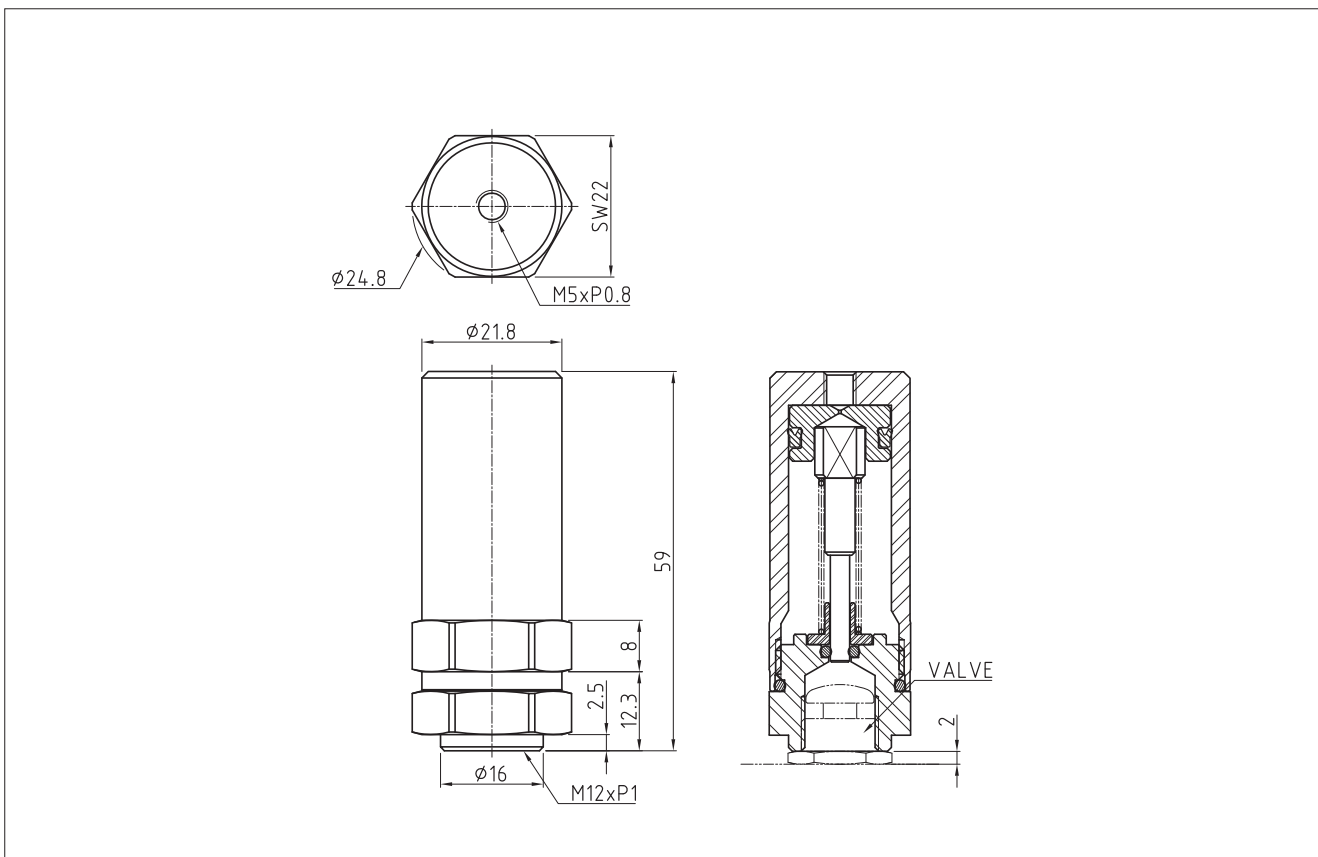


Part no.	Parts	Material
1	BODY	BRASS
2	PISTON	PLASTIC
3	PISTON SEAL	RUBBER
4	PLUNGER	METAL
5	SPRING	SUS
6	GUIDE	METAL
7	ADAPTER	BRASS
8	O-RING-A	RUBBER
9	O-RING-B	RUBBER

Min Pilot Pressure (MPa)

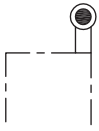
Air pressure Valve Model	0.1MPa	0.3MPa	0.5MPa	0.7MPa
K31P	0.32	0.34	0.36	0.39
K41P	0.33	0.34	0.36	0.39
K41PP	0.25	0.25	0.25	0.25

Dimensions



34B-Manual Operating(Ball Cam Type)

Symbol



Weight 15g

※Stroke same as valve stroke.

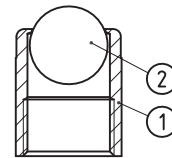
Min Pilot Pressure (MPa)

Air pressure Valve Model	0.2MPa	0.4MPa	0.7MPa
K2P	29.4(19.6)	44.1(21.6)	63.7(23.5)
K3P	19.6	24.5	29.4
K4P	19.6	21.6	23.5
K4PP	4.9	5.9	6.9

※ () shows the figure when port 2(A) is open to the atmosphere.

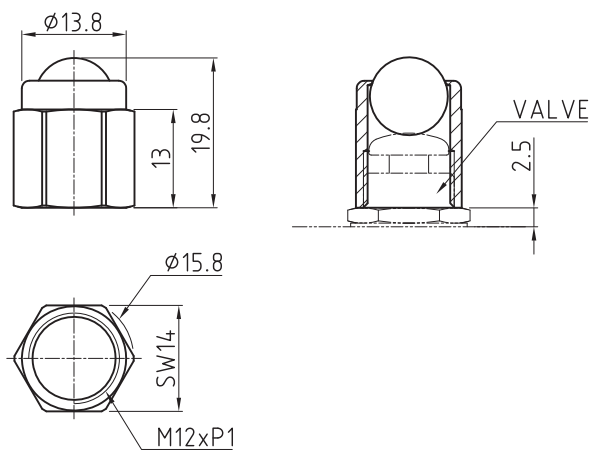
Air pressure Valve Model	0.1MPa	0.3MPa	0.5MPa	0.7MPa
K31P	26.5	27.5	29.4	32.4
K41P	37.3	38.2	41.2	44.1
K41PP	9.8	11.8	12.7	16.7

Structure



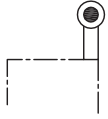
Part no.	Parts	Material
1	BODY	BRASS
2	BALL	SUS

Dimensions



34C-Manual Mechanical type(Roller Cam)

Symbol



Weight 15g

※Stroke is 2 times of valve stroke.

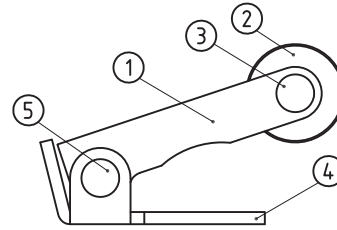
Min Pilot Pressure (MPa)

Air pressure Valve Model	0.2MPa	0.4MPa	0.7MPa
K2P	13.7(9.8)	19.6(11.8)	27.5(14.7)
K3P	9.8	12.7	14.7
K4P	9.8	11.8	13.7
K4PP	3.9	4.9	4.9

※ () shows the figure when port 2(A) is open to the atmosphere.

Air pressure Valve Model	0.1MPa	0.3MPa	0.5MPa	0.7MPa
K31P	17.7	18.6	20.6	23.5
K41P	26.5	27.5	27.5	29.4
K41PP	5.9	6.9	7.8	9.8

Structure



Part no.	Parts	Material
1	MOVABLE LEVER	METAL
2	ROLLER	PLASTIC
3	ROLLER PIN	SUS
4	FIX LEVER	METAL
5	LEVER PIN	SUS

Dimensions

