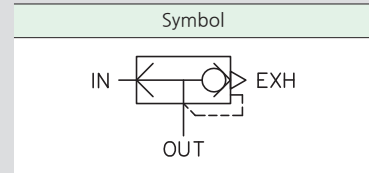
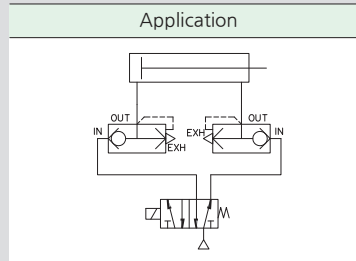


KQE series



KQE 301-04



How to Order

KQE 201 - N 02

① ② ③

① Body nominal size

| | |
|-----|-----------------------|
| 201 | 1/8, Body Size 1/4 |
| 301 | 3/8 |
| 401 | 1/2 |
| 501 | 1/2, Body size 3/4, 1 |

② Port type

| | |
|-----|-------------------|
| Nil | Rc(PT) (Standard) |
| G | G |
| N | NPT |

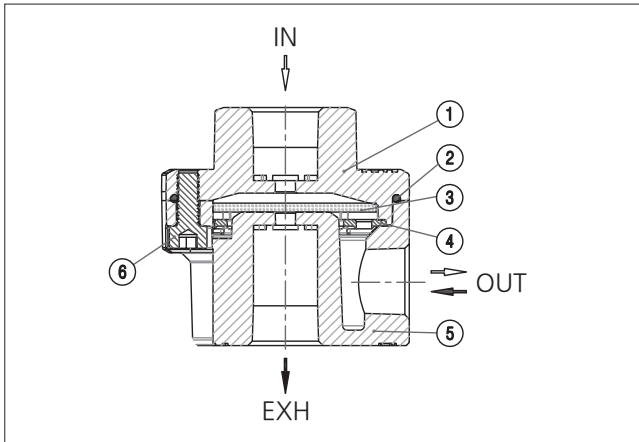
③ Port size

| | | Body size | | | |
|----|-----------|-----------|-----|-----|-----|
| | | 201 | 301 | 401 | 501 |
| 01 | Rc(PT)1/8 | ● | | | |
| 02 | Rc(PT)1/4 | ● | | | |
| 03 | Rc(PT)3/8 | | ● | | |
| 04 | Rc(PT)1/2 | | | ● | ● |
| 06 | Rc(PT)3/4 | | | | ● |
| 10 | Rc(PT) 1 | | | | ● |

Specification

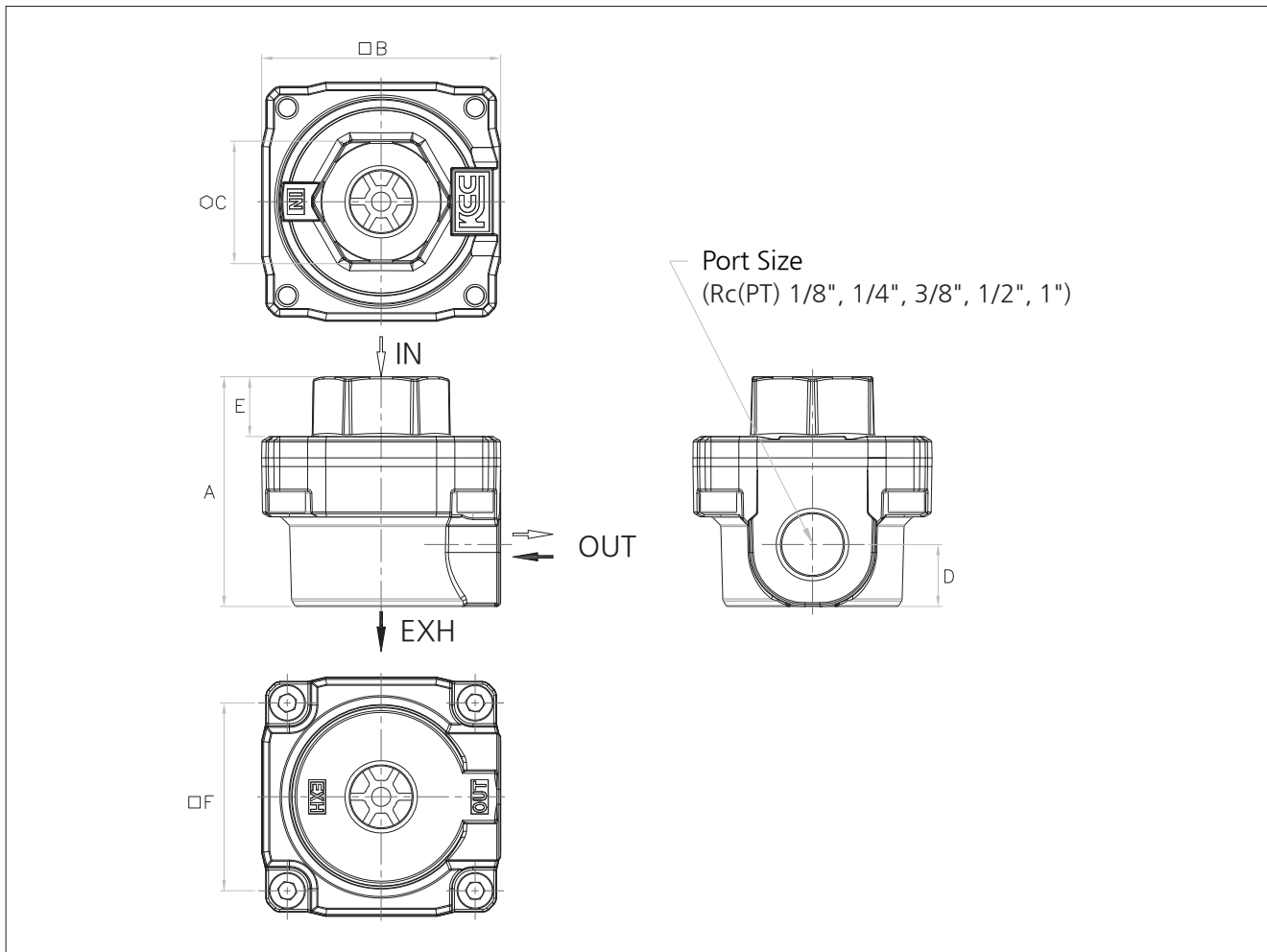
| Type | KQE201-01 | KQE201-02 | KQE301-03 | KQE401-04 | KQE501-04 | KQE501-06 | KQE501-10 |
|--|--------------|-----------|-----------|-----------|-----------|-----------|------------|
| Fluid | Air | | | | | | |
| Port size | Rc(PT)1/8 | Rc(PT)1/4 | Rc(PT)3/8 | Rc(PT)1/2 | Rc(PT)1/2 | Rc(PT)3/4 | Rc(PT) 1 |
| Effective sectional area S _{mm} (Cv) | IN → OUT | 25(1.39) | 30(1.67) | 76(4.22) | 95(5.27) | 100(5.56) | 190(10.56) |
| | OUT → EXH | 28(1.56) | 37(1.83) | 81(4.5) | 105(5.83) | 105(5.83) | 220(12.22) |
| Operating Pressure | 0.7~1.0MPa | | | | | | |
| Proof pressure | 1.5MPa | | | | | | |
| Lubrication | Not required | | | | | | |
| Ambient temperature | 5~60℃ | | | | | | |
| Weight | 100g | 95g | 190g | 175g | 690g | 645g | 585g |

Structure



| No. | Parts | Standard |
|-----|--------|------------------|
| 1 | Cover | Aluminum Diecast |
| 2 | O-Ring | NBR |
| 3 | Valve | NBR, etc. |
| 4 | Plate | STEEL |
| 5 | Body | Aluminum Diecast |
| 6 | Bolt | STEEL |

Dimension



| Model | A | B | C | D | E | F |
|--------|----|----|----|------|----|----|
| KQE201 | 40 | 45 | 20 | 10 | 9 | 9 |
| KQE301 | 54 | 56 | 29 | 14.5 | 14 | 14 |
| KQE401 | 54 | 56 | 29 | 14.5 | 14 | 14 |
| KQE501 | 82 | 85 | 40 | 25 | 18 | 18 |