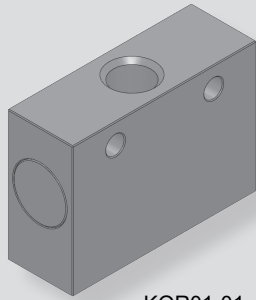
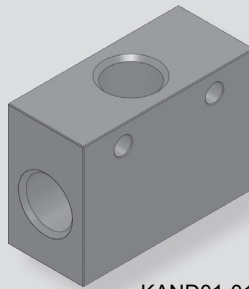


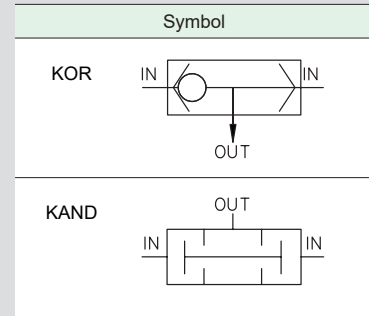
KOR/KAND series



KOR01-01
OR (SHUTTLE) VALVE



KAND01-01
AND VALVE



How to Order

KOR - 01

① ② ③

KAND 01 - 01

①

① Port type

Nil	Rc(PT)(Standard)
G	G

③ Port size

01	Rc(PT) 1/8
02	Rc(PT) 1/4

② Body nominal size

01	Rc(PT) 1/8 (16mm)
02	Rc(PT) 1/4 (20mm)

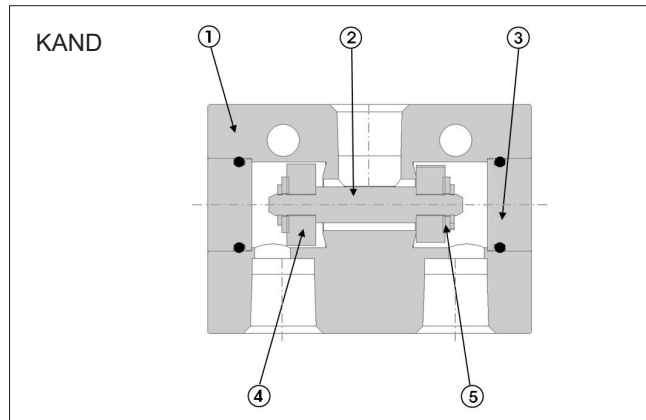
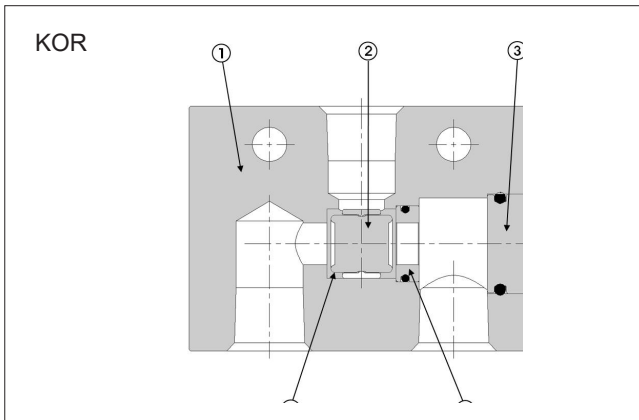
Specifications

Type	KOR01-01	KOR02-02	KAND01-01
Fluid	Air, Inert gas		
Proof pressure	15kgf/cm ² (1.5MPa)		
Operating pressure	1~10kgf/cm ² (0.1~1MPa)		
Optimum operating pressure differential	0.5kgf/cm ² (50kPa)		
Ambient & fluid temperature	5 °C ~ 60 °C		
Port size	Rc(PT)1/8	Rc(PT)1/4	Rc(PT)1/8
Effective sectional area	9mm ²	9mm ²	9.9mm ²
Weight	54g	62g	60g

Features

- Excellent durability with its non-lubricated type.
- Relay valves to control pneumatic signal lines.
- KOR type - 3 port check valve with one output and 2 pneumatic input ports. Output always supplied by high pressure inlet.
- KAND type - 3 port valve with one output and 2 pneumatic input ports. Only when both input ports are supplied with air, the air flows to the output port. When air pressure differs, pressure in the lower amount flows to the output port.

Structure



Part no.	Parts	Material
1	Body	AL
2	Packing Guide	CU
3	Cover	CU
4	Packing	NBR
5	Packing Cover	CU

Part no.	Parts	Material
1	Body	AL
2	Rod	SUS
3	Cover	CU
4	Packing	NBR
5	Washer	SUS

Dimensions

