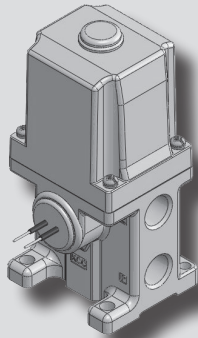
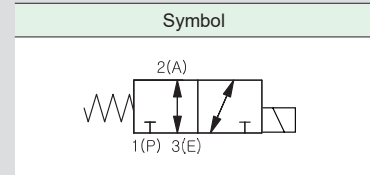


KS3135 series



KS3135-042G



How to Order

KS 3135 - 04 2 G

①
②
③

① Port type

Nil	Rc(PT)
G	G

③ Voltage

1	AC 100/110V 50/60Hz
2	AC 200/220V 50/60Hz

② Port size

03	3/8
04	1/2

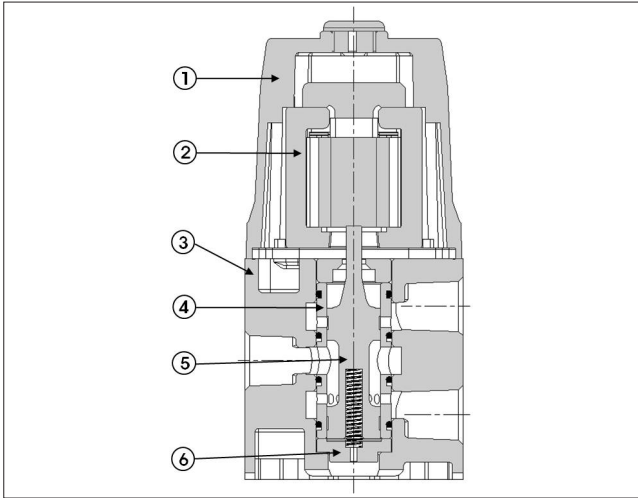
Specifications

Type	KS 3135 G (Lead wire)	
Fluid	Air, Inert gas	
Port size	Rc(PT) 3/8, 1/2, G 3/8, 1/2	
Effective sectional area Smm ² (Cv)	Rc(PT) 3/8	37mm ² (2.0)
	Rc(PT) 1/2	43mm ² (2.4)
Operating pressure	0~10kgf/cm ² (0~1MPa)	
Max. operating frequency	5 cycle/sec	
Response time {at 5kgf/cm ² (0.5MPa)}	≤ 30ms	
Lubrication	Not required (But, when lubricated Turbine oil ISO VG32 or equivalent)	
Power consumption	Starting	100/90VA (50/60Hz)
	Holding	20/14VA (50/60Hz)
Allowable voltage	±10% rated voltage	
Ambient temperature	-20℃ ~ 50℃	
Fluid temperature	5℃ ~ 60℃	
Coil insulation	Class B	
Weight	860g	

Features

- Direct acting type
- Large capacity valve can be used in combination with large actuator.
- Non-lubricated type and with dust proof metal sealing.
- Due to the balance spool type neither of the ports being supplied with pressure will affect the valve operation.

Structure



Part no.	Parts	Material
1	Housing	AL D/C
2	Coil	CU & Others
3	Body	AL D/C
4	Sleeve	SUS
5	Spool	SUS
6	Spool S/P Cover	Plastic Resin

Dimensions

