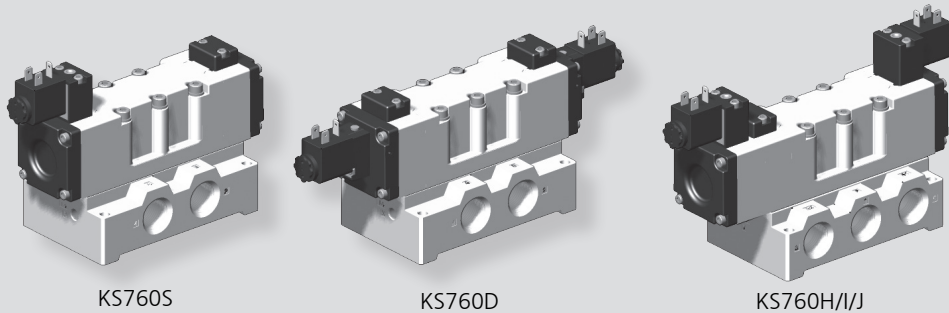


KS760 series



KS760S

KS760D

KS760H/I/J

How to Order

KS 760 S - - 1 GL -

① ② ③ ④ ⑤ ⑥ ⑦

① Port type

Nil	Rc(PT) (Standard)
G	G

② Function

Function	Symbol
S Single acting	
D Double acting	
H Closed center	
I Pressure center	
J Exhaust center	

③ Port size

15	1/2	20	3/4
----	-----	----	-----

④ Voltage

1	AC 100/110V 50/60Hz
2	AC 200/220V 50/60Hz
3	DC 24V
4	DC 12V

* Custom made with AC24V, AC48V, DC48V, DC100V is available.

⑤ Electrical connection

GL	Lead wire & lamp	Z	DIN coil + DIN connector with lamp + Surge killer
G	Lead wire	ZUL	DIN coil + DIN connector with lamp + Surge killer (UL, CSA Approval)
D	DIN coil + DIN connector	GU	Lamp with 90°plug(400mm)
DUL	DIN coil + DIN connector (UL, CSA Approval)	GP	Lamp with 180°plug(400mm)
DEXT4	Explosion proof	M	DIN coil + Metal DIN connector

⑥ Coil direction

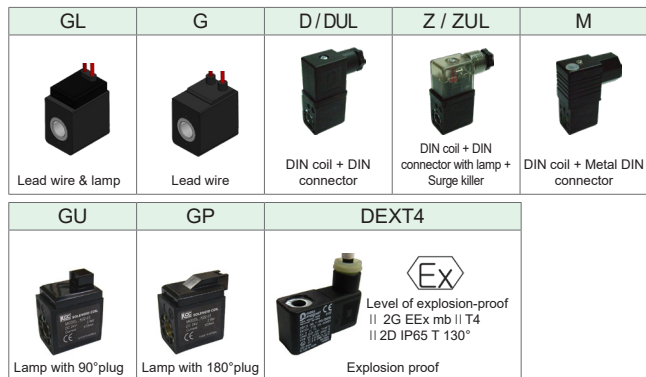
Nil	Vertical (Standard)
H	Horizontal * only for single acting & double acting type.

⑦ Manual override

Nil	Manual button (Standard)
-----	--------------------------

Specifications

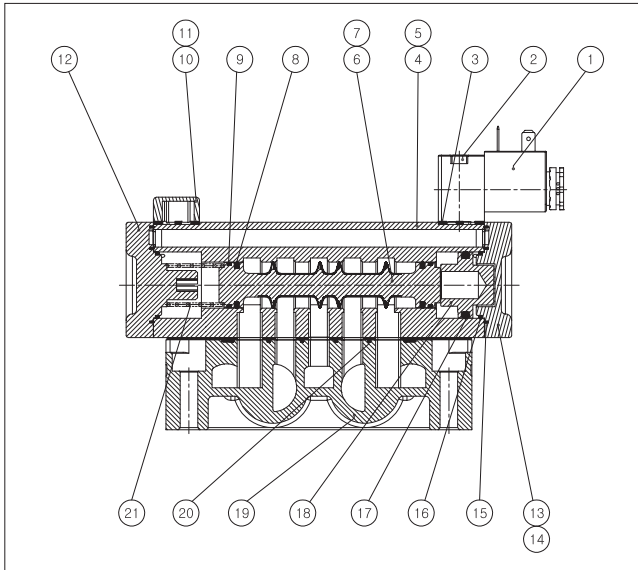
Type	S / D		H / I / J	
Fluid	Air, Inert gas			
Port size	1/2	3/4	1/2	3/4
Effective sectional area Smm ² (Cv)	92 (5.1)	100 (5.4)	90 (4.9)	90 (4.9)
Operating pressure	1.5~10kgf/cm ² (0.15~1.0MPa)		2~10kgf/cm ² (0.2~1.0MPa)	
Response time (at 0.5MPa)	≤ 200ms			
Lubrication	Not required (But, when lubricated Turbine oil ISO VG32 or equivalent)			
Manual override	Manual button (Standard), Lock			
Power consumption	DC	6.0W(Vertical coil - Standard), 2.8W(Horizontal coil)		
	AC	4.5/3.6VA (50/60Hz)		
Allowable voltage	±10% rated voltage			
Ambient & fluid temperature	5°C ~ 60°C			
Coil insulation	Class F			
Weight	2kg	2.15kg	2.30kg	



Features

- Excellent durability with its non-lubricated type.
- Large capacity valve can be used in combination with large pneumatic actuator.
- Perfect for controlling system by PLC or computer with its low consuming current type.

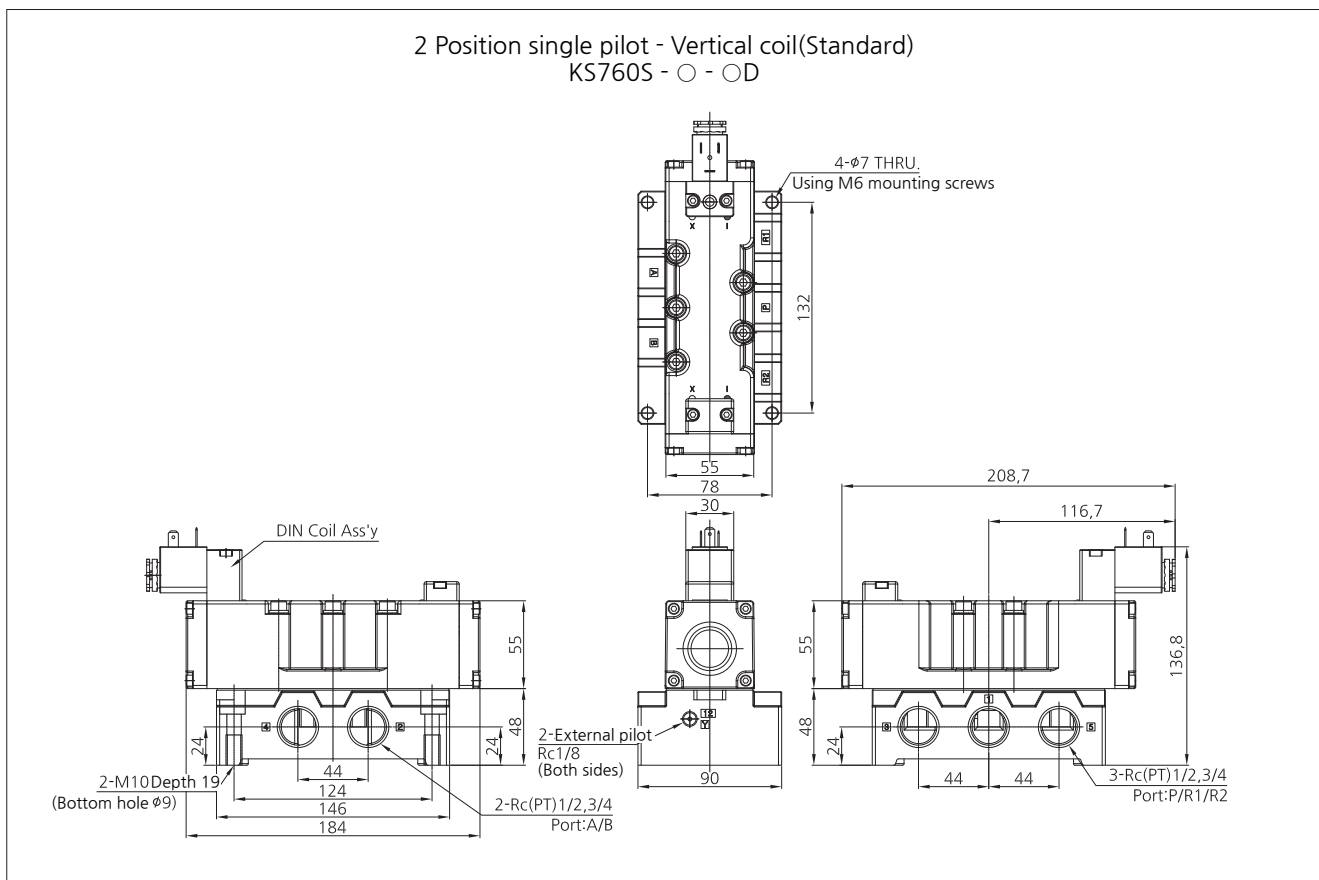
Structure



Part no.	Parts	Material	Part no.	Parts	Material
1	COIL ASS'Y	CU & Others	12	COVER-B	PLASTIC
2	BOLT(SEAT)	STEEL	13	COVER-B	PLASTIC
3	SEAT GASKET	NBR	14	BOLT	STEEL
4	BLOCK BODY	AL	15	COVER GASKET	NBR
5	BOLT	STEEL	16	O-RING	NBR
6	SPOOL	AL	17	O-RING	NBR
7	SPOOL MOLDING	NBR	18	PISTON	AL
8	PACKING	NBR	19	BASE	AL
9	BACKUP RING	PLASTIC	20	BASE GASKET	NBR
10	CAP	PLASTIC	21	SPOOL SPRING	SUS
11	BOLT	STEEL			

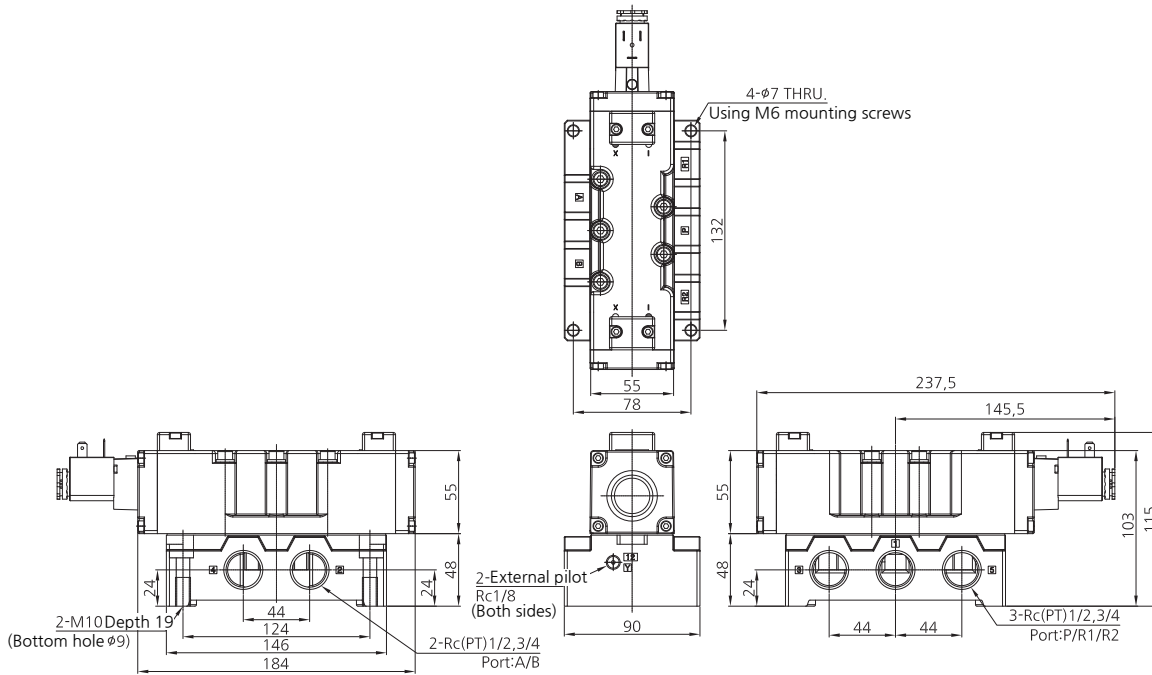
Dimensions

2 Position single pilot - Vertical coil(Standard)
KS760S - ○ - ○D

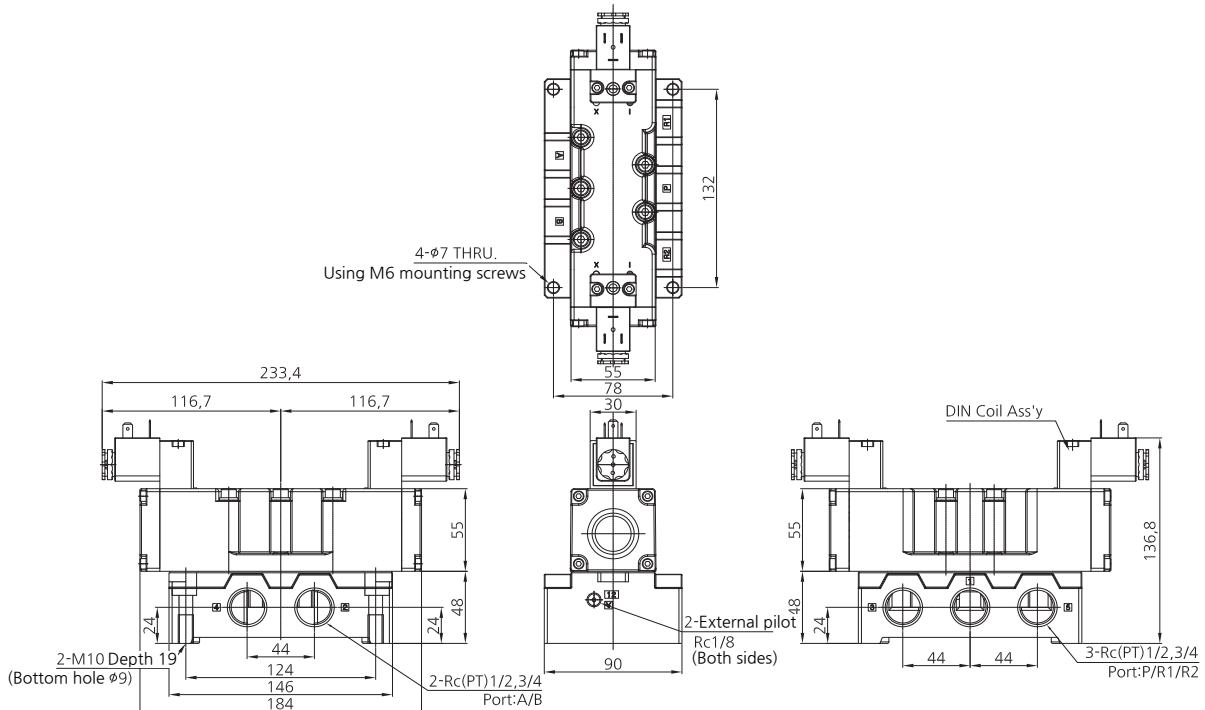


Dimensions

2 Position single pilot - Horizontal coil
KS760S - ○ - ○DH

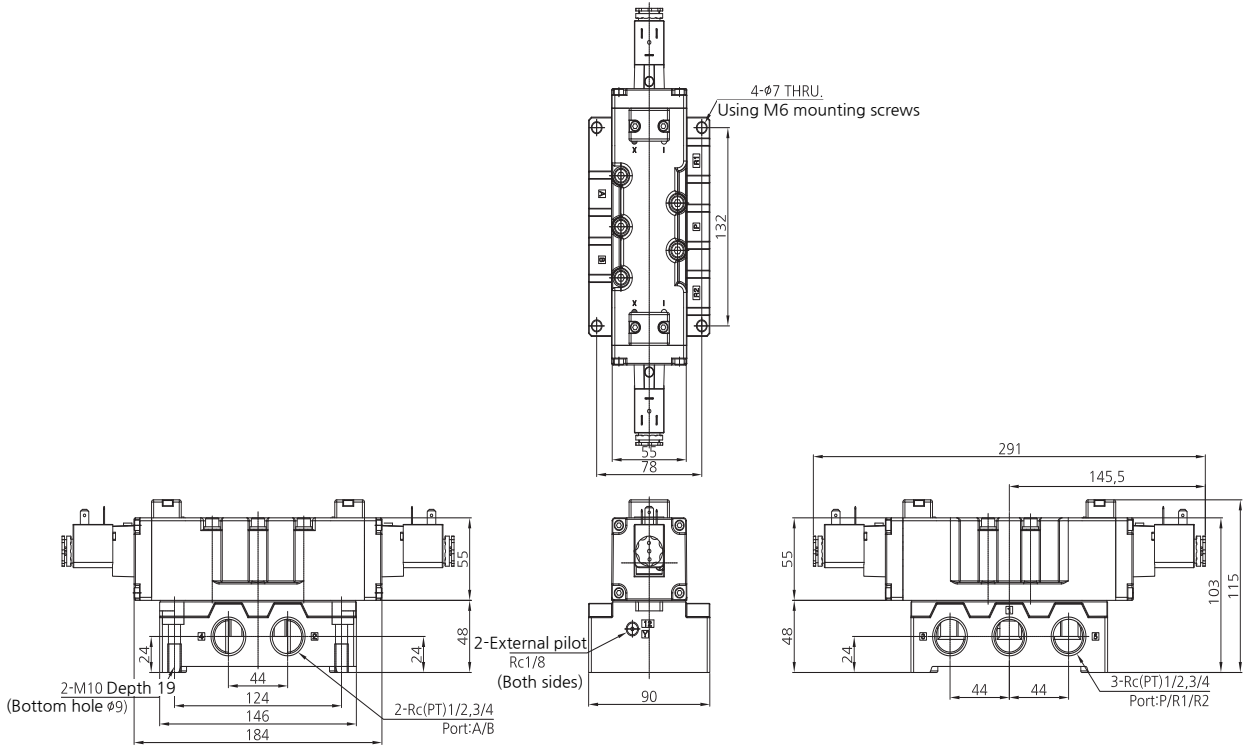


2 Position double pilot - Vertical coil(Standard)
KS760D - ○ - ○D



Dimensions

2 Position double pilot - Horizontal coil
KS760D - ○ - ○DH



3 Position double pilot - Vertical coil(Standard)
KS760H(I,J) - ○ - ○D

