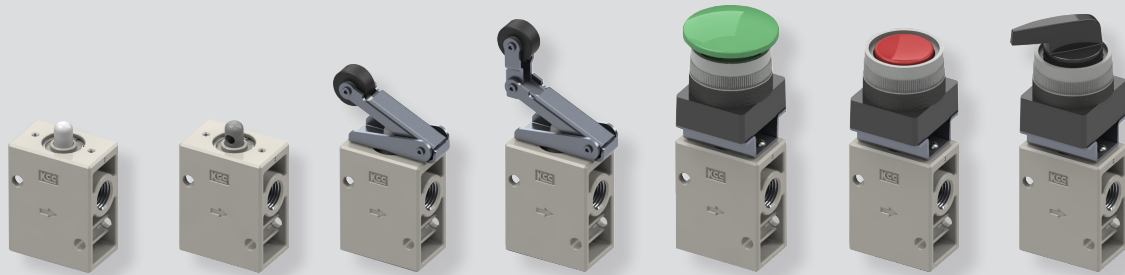
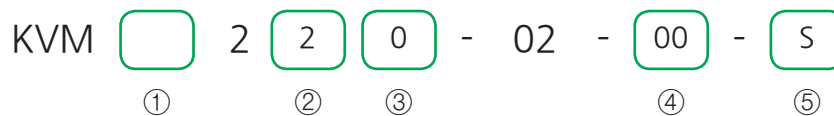


KVM200 series



KVM 220-02-00 KVM 230-02-00 KVM 230-02-01 KVM 230-02-02 KVM 230-02-30G KVM 230-02-33R KVM 230-02-34

How to Order



① Port type

Nil	Rc(PT) (Standard)
G	G

② Number of ports

2	2 Port (White rod)
3	3 Port (Gray rod)

③ Stem type

0	Standard type
---	---------------

④ Type of actuator

00	Standard
01	Roller lever
02	One-way lever
30	Push button (Mushroom)
33	Push button (Flat type)
34	Selector
35	Emergency push-button

⑤ Option

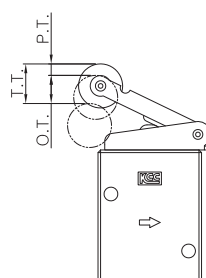
S	Metal roller	
R	Red	The color of the push button
G	Green	
R	Red	Emergency push button color

Model	2 Port	KVM 220-02-01(S)	KVM 220-02-02(S)	KVM 220-02-30-33	KVM 220-02-34
Symbol					
Model	3 Port	KVM 230-02-01	KVM 230-02-02(S)	KVM 230-02-30-33	KVM 230-02-34
Symbol					

Specifications

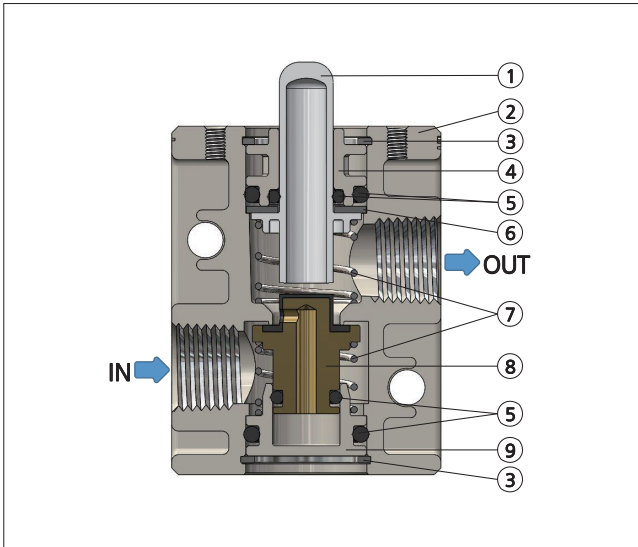
Fluid	Compressed air
Port size	Rc(PT) 1/4, G 1/4
Effective sectional area Smm ² (Cv)	19mm ² (1.0)
Operating pressure	0~9.9kgf/cm ² (0~0.99MPa)
Lubrication	Not required (But, when lubricated Turbine oil ISO VG32 or equivalent)
Ambient temperature	0℃~60℃
Weight(Standard type)	92g

Operating Point of Mechanical Valve



P.T. : Working distance from the free position to the operating position of the actuator.
O.T. : Working distance from the operating position to the operating limit of the actuator.
T.T. : Working distance from the free position to the operating limit of the actuator.
F.O.F. : Force required by actuator to move from the free position to the operating limit of the operating.

Structure

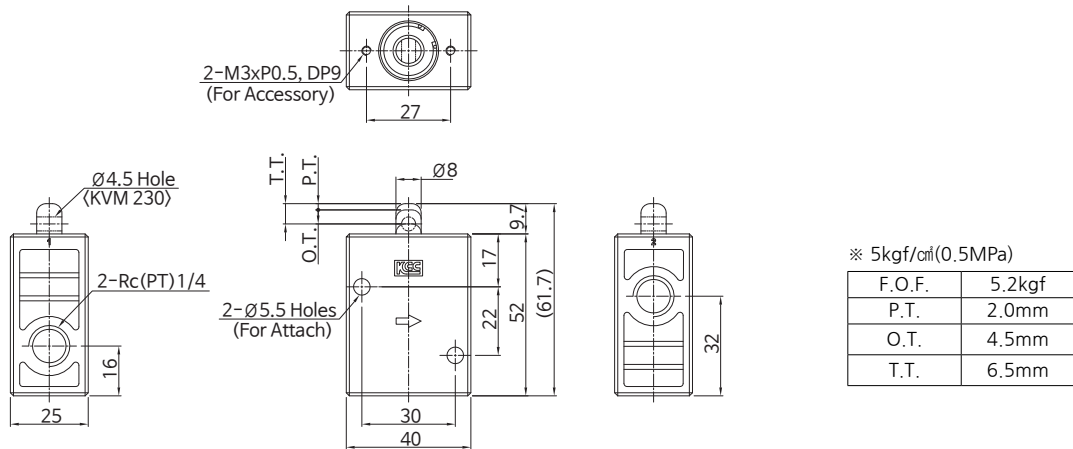


No.	Part.No.	Material
1	Rod	Plastic
2	Body	AL
3	Stop ring	Metal
4	Rod Guide	Plastic
5	O-Ring	Rubber
6	Washer	Metal
7	Spring	STS
8	Pole	Brass+Rubber
9	Under Cover	Plastic

Dimensions

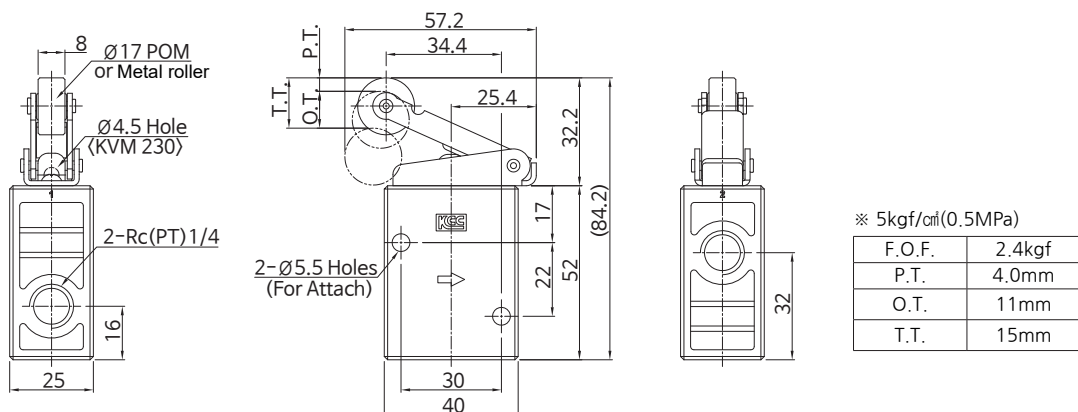
Standard

KVM 220-02-00, KVM 230-02-00



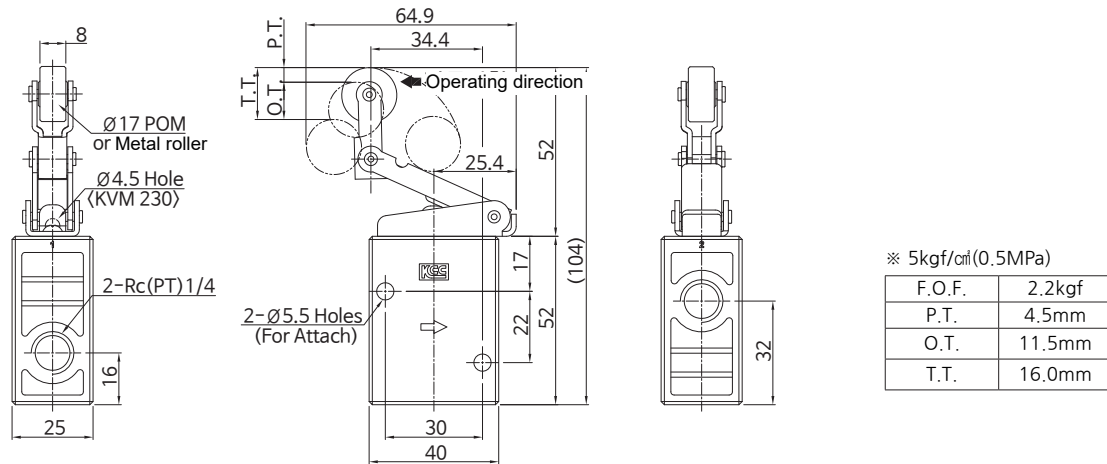
Roller Lever

KVM 220-02-01(S), KVM 230-02-01

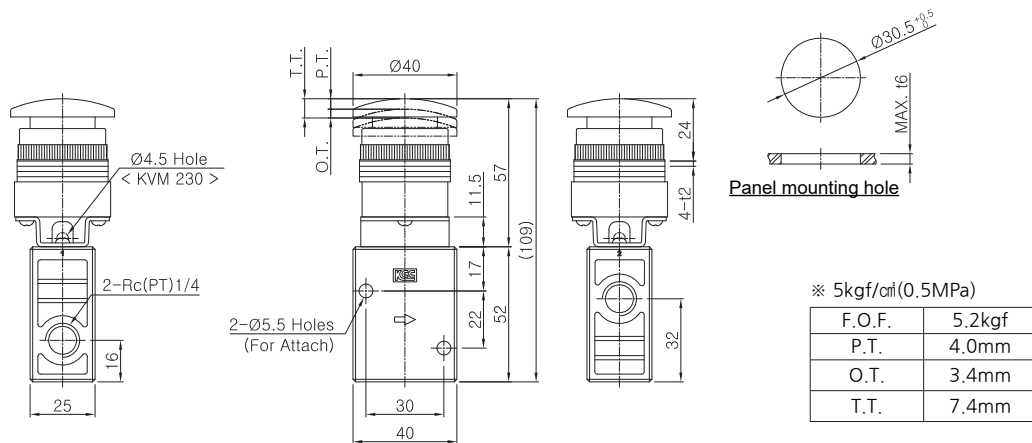


Dimensions

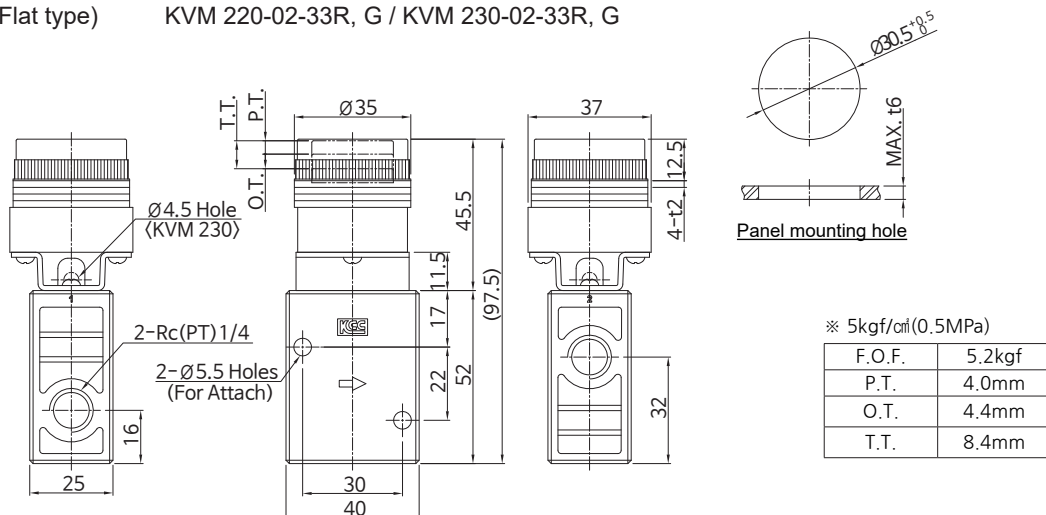
One-way Lever KVM 220-02-02(S) / KVM 230-02-02(S)



Push button (Mushroom) KVM 220-02-30R, G / KVM 230-02-30R, G

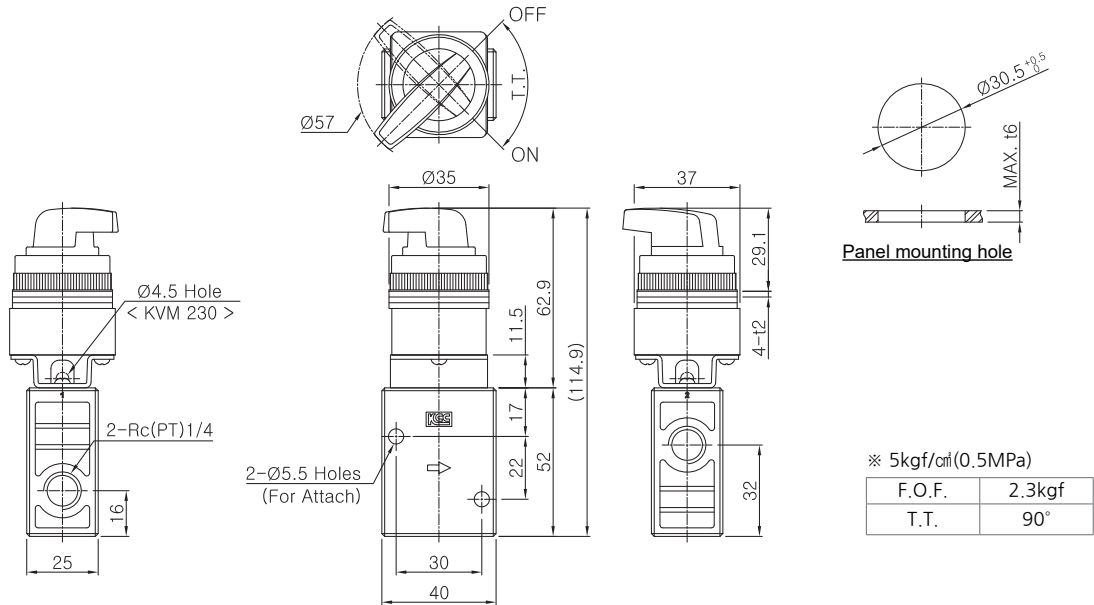


Push button (Flat type) KVM 220-02-33R, G / KVM 230-02-33R, G



Dimensions

Selector **KVM 220-02-34 / KVM 230-02-34**



Emergency push-button **KVM 220-02-35R / KVM 230-02-35R**

