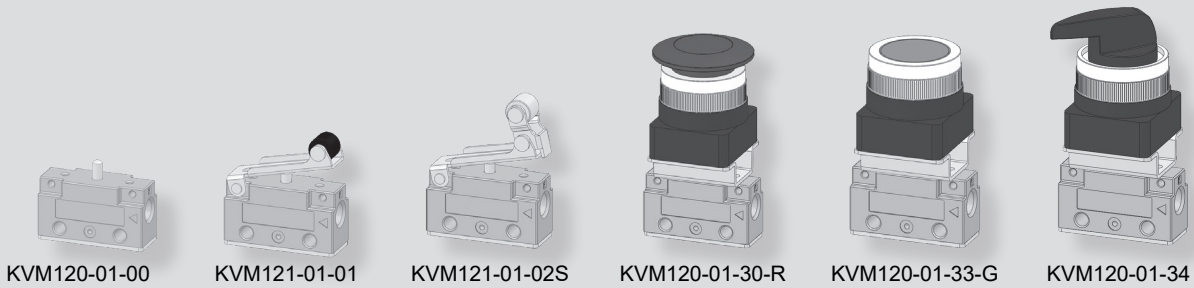


# KVM100 series



## How to Order

KVM    1   2     0   - 01 -   30   -   R  

①                      ②                      ③                                      ④                      ⑤

### ① Port type

Nil	Rc(PT) (Standard)
G	G

### ② Number of ports

2	2 Port
3	3 Port

### ③ Stem type

0	Long stem
1	Short stem

※ 01 and 02 are short stem, and 30, 33, and 34 are long stem.

### ④ Type of actuator

00	Standard
01	Roller lever
02	One-way lever
30	Push button
33	Push button (Flat type)
34	Selector

### ⑤ Option

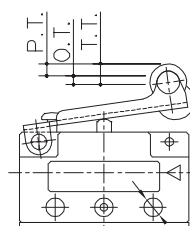
S	Metal roller	
R	Red	The color of the push button
G	Green	

Model	KVM 120(1)-01-00	KVM 121-01-01(S)	KVM 121-01-02(S)	KVM 120-01-30-33	KVM 120-01-34
Symbol					
Model	KVM 130(1)-01-00	KVM 131-01-01(S)	KVM 131-01-02(S)	KVM 130-01-30-33	KVM 130-01-34
Symbol					

## Specifications

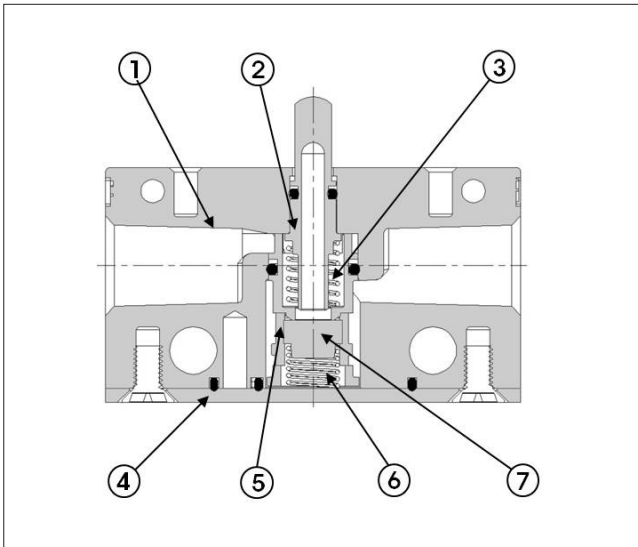
Fluid	Compressed air
Port size	Rc(PT) 1/8, G 1/8
Effective sectional area Smm <sup>2</sup> (Cv)	2.5mm <sup>2</sup> (0.14)
Operating pressure	0~9.9kgf/cm <sup>2</sup> (0~0.99MPa)
Lubrication	Not required (But, when lubricated Turbine oil ISO VG32 or equivalent)
Ambient temperature	0℃~60℃
Weight (Standard type)	98g

## Operating Point of Mechanical Valve



P.T. : Working distance from the free position to the operating position of the actuator.  
O.T. : Working distance from the operating position to the operating limit of the actuator.  
T.T. : Working distance from the free position to the operating limit of the actuator.  
F.O.F. : Force required by actuator to move from the free position to the operating limit of the operating.

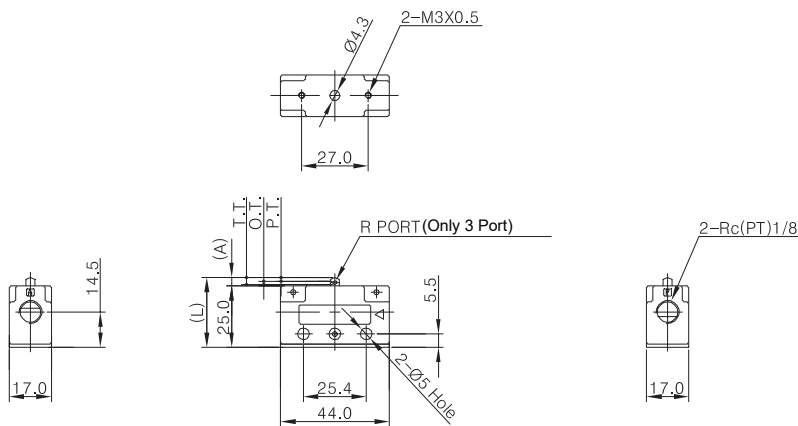
**Structure**



Part no.	Parts	Material
1	Body	AL
2	Stem	POM
3	Upper Seat Spring	SUS
4	Bracket	AL
5	Seat	POM
6	Lower Seat Spring	SUS
7	Seat Packing	NBR

**Dimensions**

**Standard** KVM 120-01-00, KVM 121-01-00, KVM 130-01-00, KVM 131-01-00

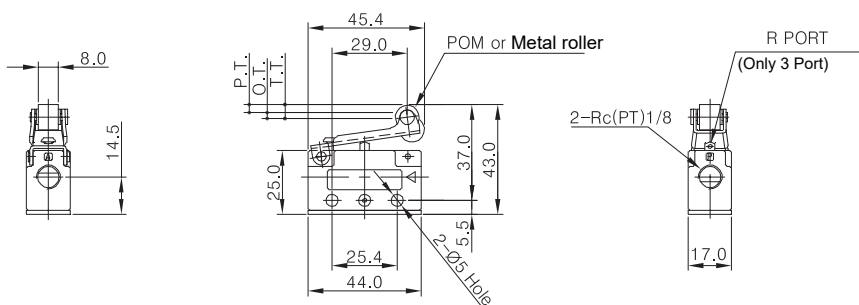


Model	(L)	(A)
KVM120-01-00	32.5	7.5
KVM130-01-00		
KVM121-01-00	28.5	3.5
KVM131-01-00		

※ At 5kgf/cm<sup>2</sup>

F.O.F.	2.0kgf
P.T.	1.5mm
O.T.	1.5mm
T.T.	3.0mm

**Roller Lever** KVM 121-01-01, KVM 121-01-01S, KVM 131-01-01, KVM 131-01-01S

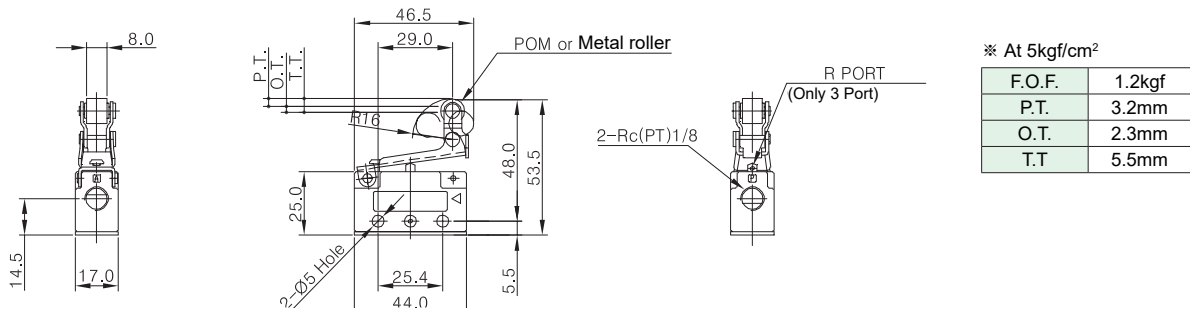


※ At 5kgf/cm<sup>2</sup>

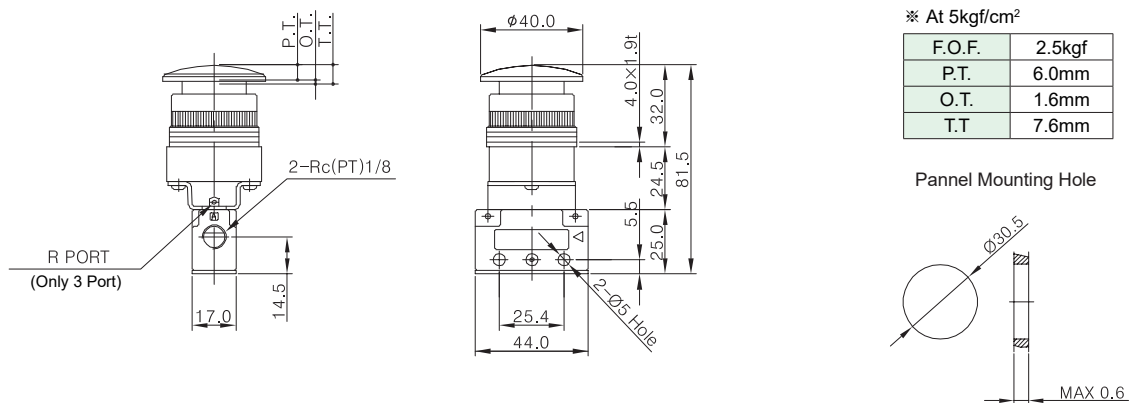
F.O.F.	1.2kgf
P.T.	3.2mm
O.T.	2.3mm
T.T.	5.5mm

**Dimensions**

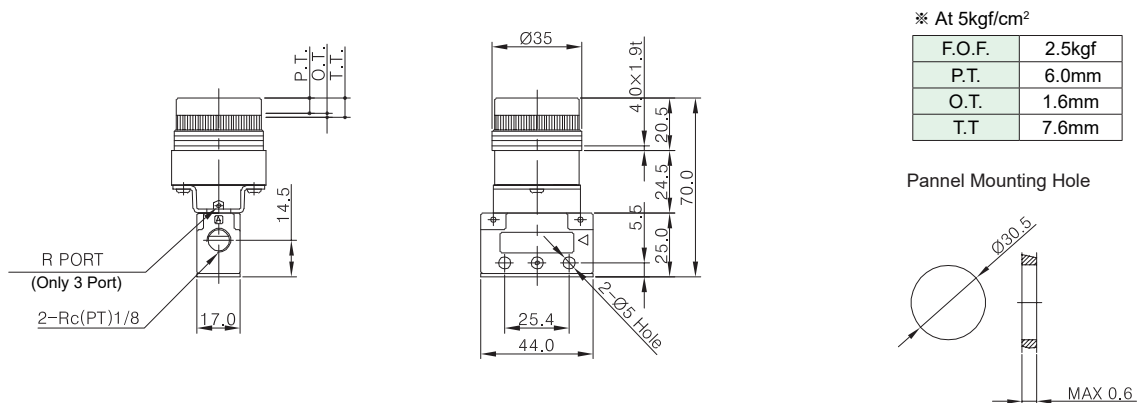
**One-Way Lever** KVM 121-01-02, KVM 121-01-02S, KVM 131-01-02, KVM 131-01-02S



**Push Button** KVM 120-01-30R, G, KVM 130-01-30R, G



**Push Button (Flat type)** KVM 120-01-33R, G, KVM 130-01-33R, G



Dimensions

Selector

KVM 120-01-34, KVM 130-01-34

