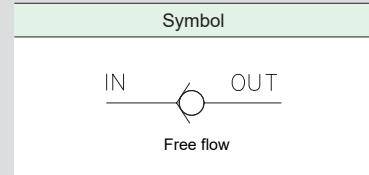
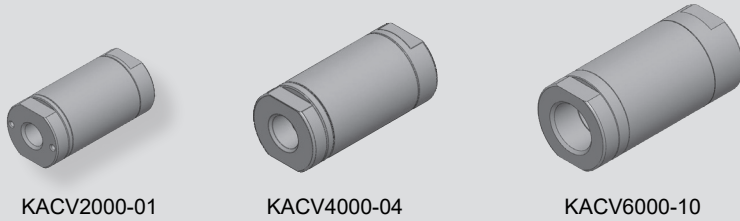


# KACV series



## How to Order

KACV    2000 - 01

①                      ②                      ③

### ① Port type

Nil	Rc(PT) (Standard)
G	G

### ② Bore size

2000	ø20	01	Rc(PT), G 1/8
4000	ø32	02	Rc(PT), G 1/4
		03	Rc(PT), G 3/8
		04	Rc(PT), G 1/2
6000	ø40	06	Rc(PT), G 3/4
		10	Rc(PT), G 1

### ③ Port size

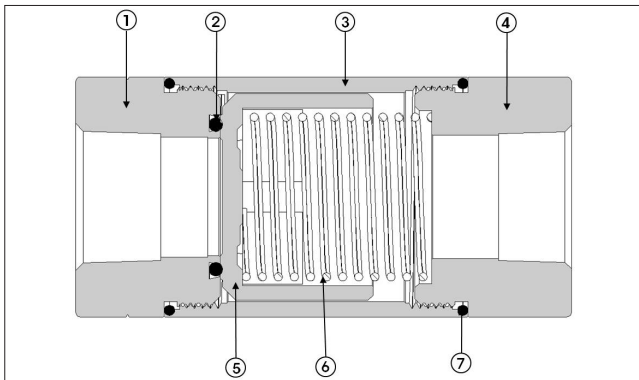
## Specifications

Type	KACV2000-01	KACV2000-02	KACV4000-03	KACV4000-04	KACV6000-06	KACV6000-10
Fluid	Air					
Proof pressure	15kgf/cm <sup>2</sup> (1.5MPa)					
Operating pressure	0.3~10kgf/cm <sup>2</sup> (0.03~1MPa)					
Ambient & fluid temperature	5℃ ~ 60℃					
Port size	Rc(PT) 1/8	Rc(PT) 1/4	Rc(PT) 3/8	Rc(PT) 1/2	Rc(PT) 3/4	Rc(PT) 1
Effective sectional area	28mm <sup>2</sup>		94mm <sup>2</sup>	110mm <sup>2</sup>	220mm <sup>2</sup>	250mm <sup>2</sup>
Weight	40g		170g		870g	

### Features

- Excellent durability with its non-lubricated type.
- Large capacity valve can be used for large actuator.
- Quick response time with low cracking pressure.

**Structure**



Part no.	Parts	Material
1	Inlet Cover	AL
2	Seat O-Ring	NBR
3	Body	AL
4	Outlet Cover	AL
5	Seat	POM
6	Return Spring	Stainless Steel
7	Cover O-Ring	NBR

**Dimensions**

