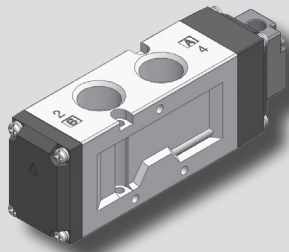
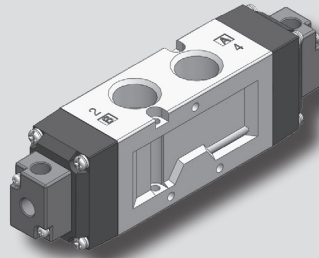


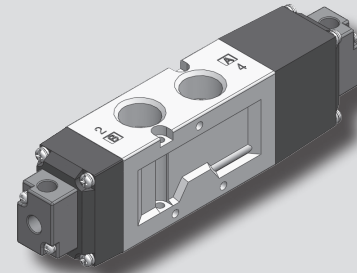
KA(B)V640 series



KA(B)V640S



KA(B)V640D



KA(B)V640H

How to Order

K A V 640 S

①

②

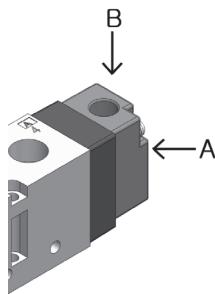
③

① Air supply direction

A	Horizontal
B	Vertical

② Port type

Nil	Rc(PT) (Standard)
G	G



③ Function

Function	Symbol
S Single acting	
D Double acting	
H Closed center	
I Pressure center	
J Exhaust center	

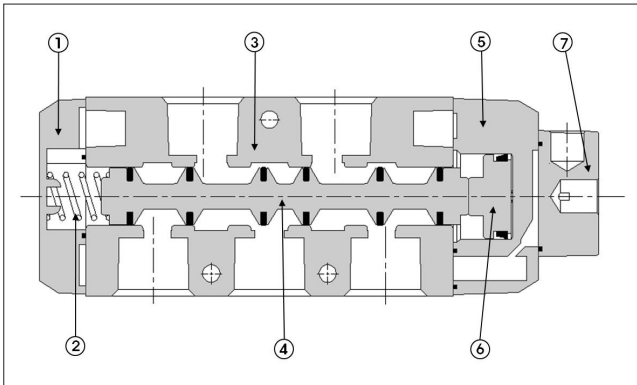
Specifications

Type	S	D	H / I / J
Fluid	Air, Inert gas		
Port size	Rc(PT) 1/2, G 1/2		
External pilot port size	Rc(PT) 1/8		
Effective sectional area Smm ² (Cv)	65mm ² (3.6)	50mm ² (2.8)	
Operating pressure	1.5~9kgf/cm ² (0.15~0.9MPa)	2~9kgf/cm ² (0.2~0.9MPa)	
Pilot pressure	2~10kgf/cm ² (0.2~1MPa)		
Max. operating frequency	5 cycle/sec	3 cycle/sec	
Ambient & fluid temperature	5°C ~60°C		
Weight	440g	510g	750g

Features

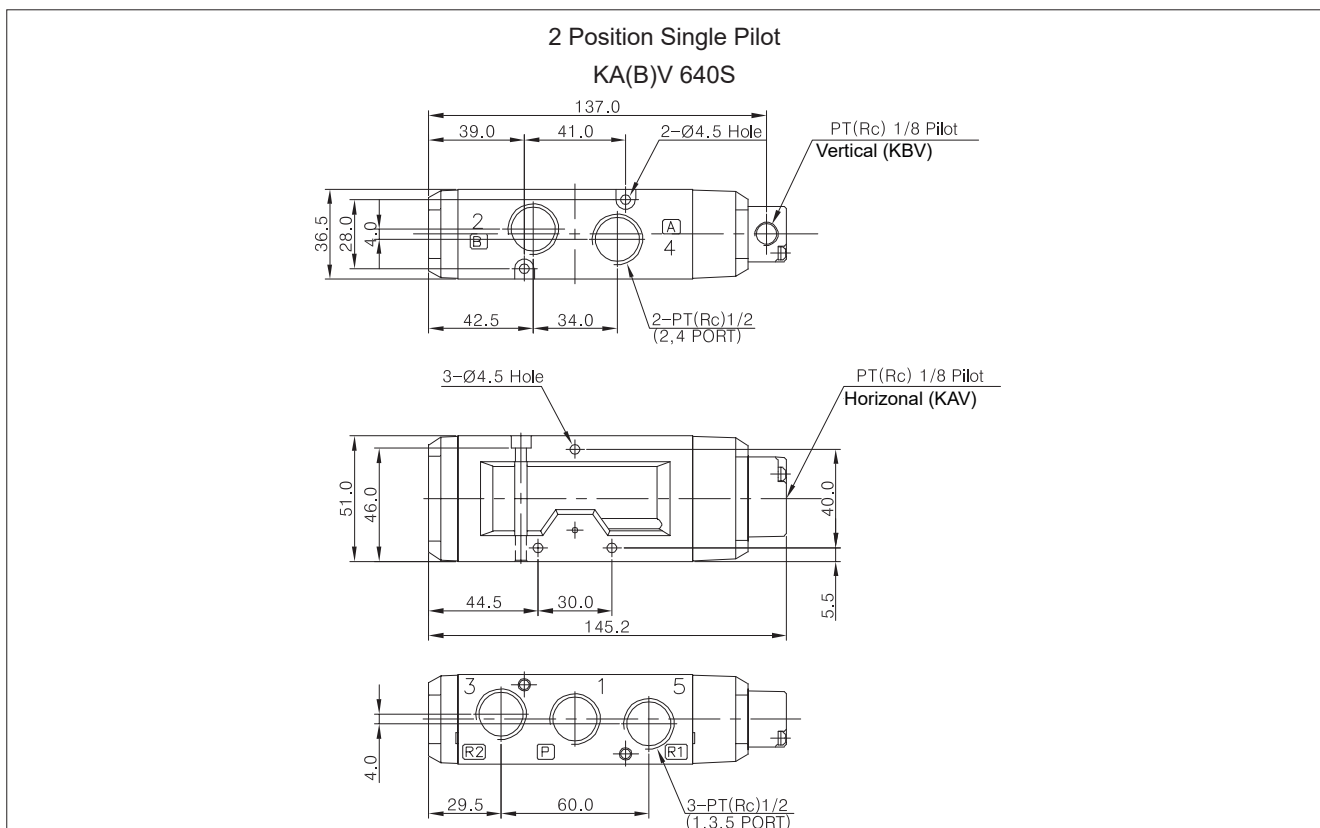
- Excellent durability with its non-lubricated type.
- Large capacity valve, suitable for large actuator.
- Fast response with its low pressure pilot.
- Easy to install when horizontal type(KAV) or vertical type(KBV) is selected according to installation direction.

Structure

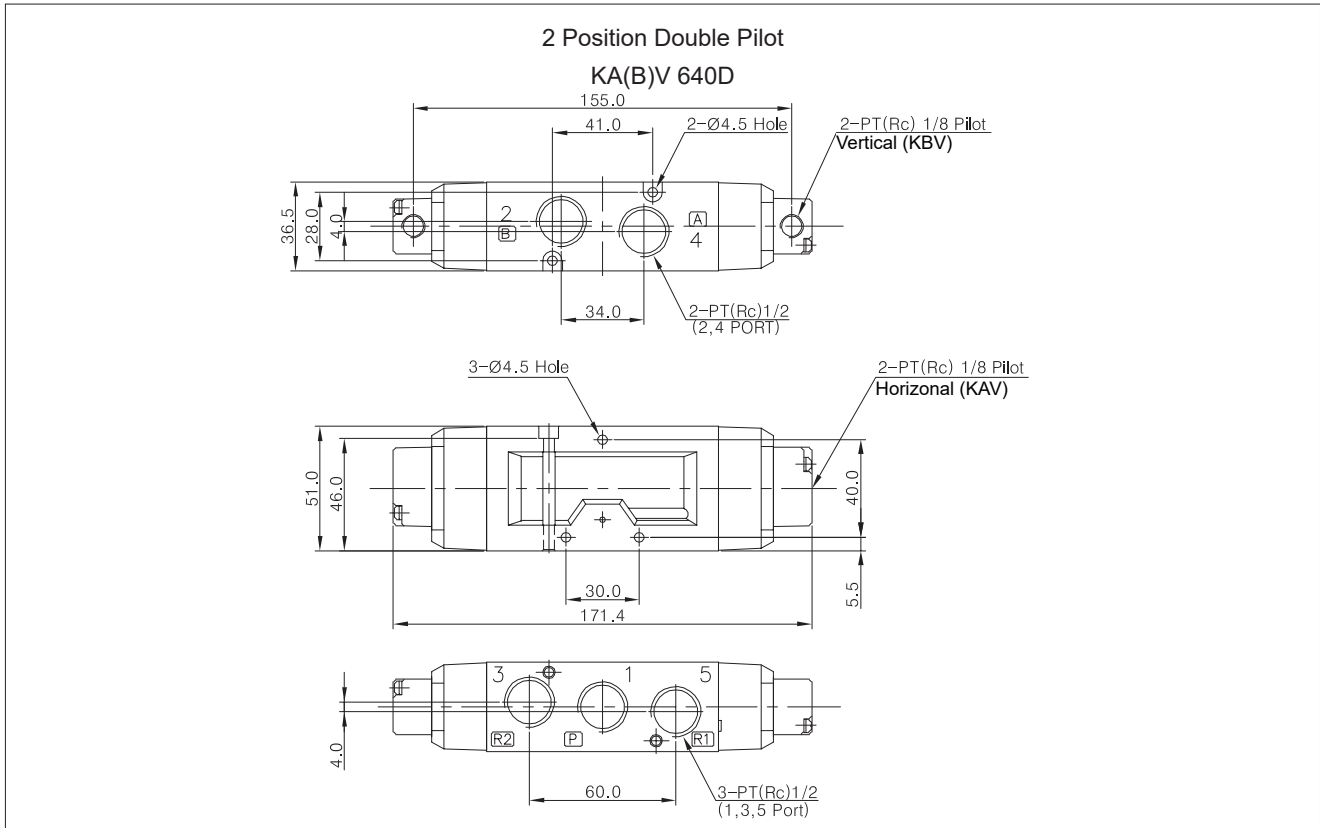


Part no.	Parts	Material
1	Cover	Plastic Resin
2	Spool Spring	SUS
3	Body	AL D/C
4	Spool Ass'y	AL & Others
5	Pilot	Plastic Resin
6	Piston	Plastic Resin
7	Adapter Plate	Metal

Dimensions



Dimensions



Dimensions

