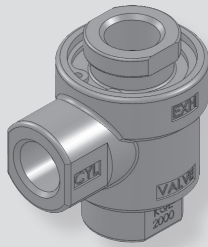
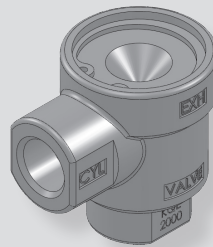


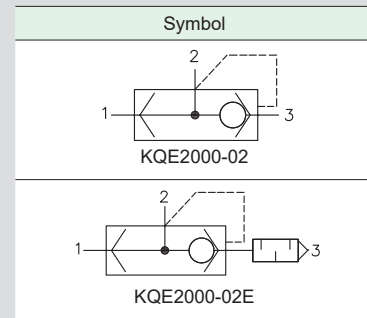
KQE2000 series



KQE2000-02



KQE2000-02E
(With built-in silencer at the exhaust port)



How to Order

KQE 2000 - 02 E

① ② ③

① Port type

Nil	Rc(PT)(Standard)
G	G

③ Silencer

Nil	Without silencer
E	With silencer

② Port size

01	1/8
02	1/4

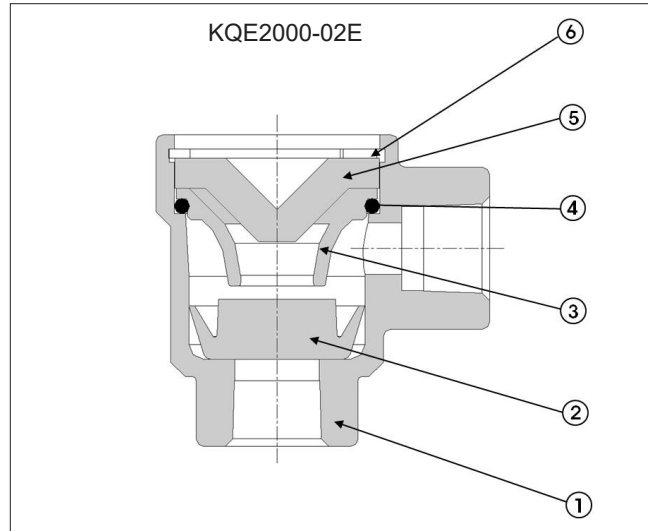
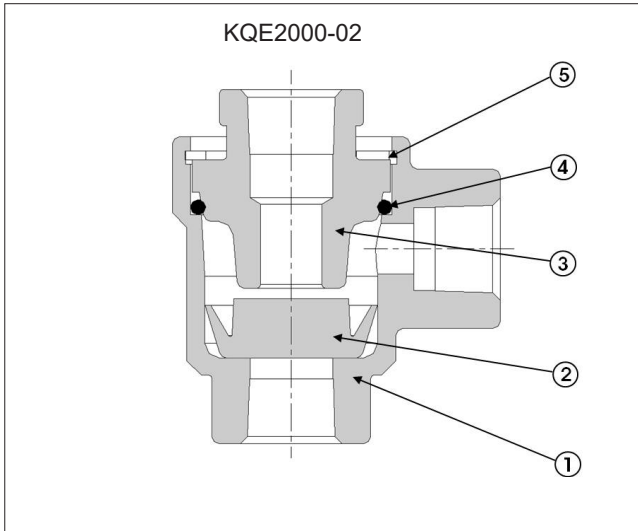
Specifications

Type		KQE2000-02		KQE2000-02E	
Fluid		Air, Inert gas			
Port size		Rc(PT) 1/8	Rc(PT) 1/4	Rc(PT) 1/8	Rc(PT) 1/4
Effective sectional area Smm ² (Cv)	IN-OUT	23(1.2)	29(1.6)	20(1.1)	27(1.5)
	OUT-EX	29(1.6)	33(1.8)	27(1.5)	31(1.7)
Operating pressure		0.5~10kgf/cm ² (0.05~1MPa)			
Weight		100g		120g	
Lubrication		Not required (But, when lubricated Turbine oil ISO VG32 or equivalent)			
Ambient & fluid temperature		5℃~60℃			

Features

- Excellent durability with its non-lubricated type.
- Excellent air exhaust-characteristic with optimal flow design.
- Easy to mount and to maintain with light weight and small size.

Structure



Part no.	Parts	Material
1	Body	ZN
2	Guide	AL
3	P-Packing	Synthetic Rubber
4	O-Ring	Synthetic Rubber
5	Snap-Ring	SK5

Part no.	Parts	Material
1	Body	ZN
2	P-Packing	Synthetic Rubber
3	O-Ring	Synthetic Rubber
4	Seat	Plastic Resin
5	Silencer	BC
6	Snap-Ring	SK5

Dimensions

