

KT37A series



KT37A-013G

How to order

KT 37A - 01 3 G

① ② ③ ④ ⑤

① Port type

Nil	Rc(PT) (Standard)
G	G

③ Port size

01	1/8"
02	1/4"

④ Operating voltage

3	DC24V(5.2W)
4	DC12V(5.2W)

※ For KT37A separate power (W) model, please contact the head office as an order specification.

② Valve type

Nil	Air		V	Vacuum + Air 1Port - Vacuum 3Port - Air	
	N.C			Air + Vacuum 1Port - Air 3Port - Vacuum	
V	Vacuum				
	N.O				

⑤ Electrical connection

G	Lead wire (500mm)
---	-------------------

Specifications

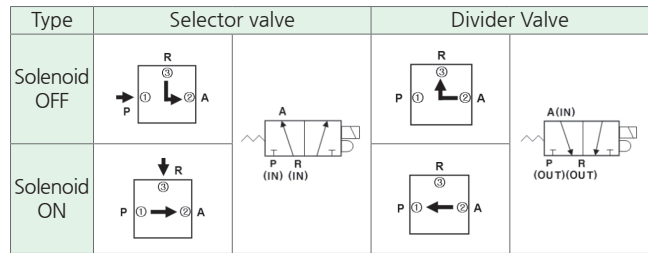
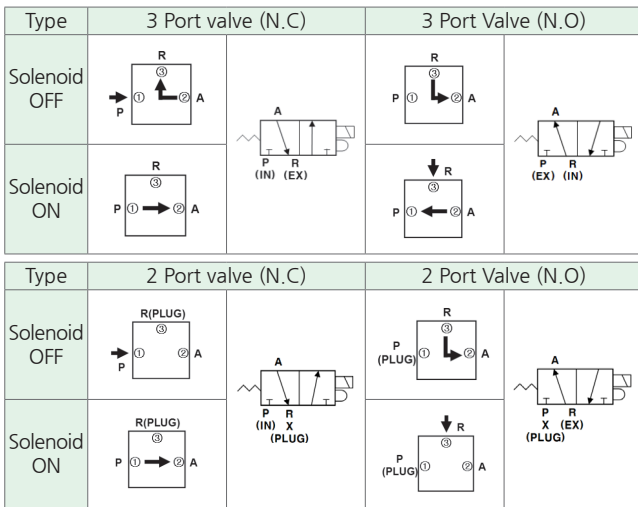
Fluid	Air, Vacuum, Inert gas		Lubrication	Not required (But, when lubricated Turbine oil ISO VG32 or equivalent)
Port size	1/8", 1/4"		Manual operation	Manual button
Effective sectional area $S_{m1}(Cv)$	9.2(0.5)		Power Consumption	5.2W
Operating pressure	Air	0~9kgf/cm ² (0~0.9MPa)	Allowable voltage	± 10% rated voltage
	Vacuum	10~760Torr (1kPa~100kPa abs.)	Ambient temperature	-20°C ~ +60°C (No freezing)
Max. operating frequency	30 cycle/sec		Coil insulation	Class F
Response time {5kgf/cm ² (0.5MPa)}	ON 17ms	OFF 7ms		

※ If you operate after leaving for a long time, the stated value may be exceeded.

Features

- Typical equipment: high-speed press, high-speed engraving press, etc.
- With the structure of a valve preventing fixation and resistance to dust, it operates perfectly.
- Durability is excellent due to the coil burn-out prevention structure.
- The UNIVERSAL PORT VALVE structure. (6 valve functions with 1 valve)
- **High-frequency continuous operation is possible. (Up to 30 C/S)**

Applications



Dimensions

