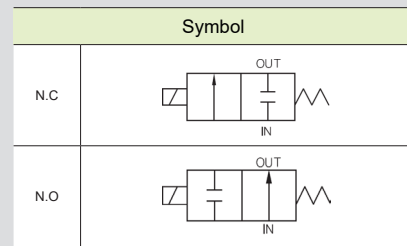


HTV0201~0502 series



HTV 0201-C



How to Order



① Port type

Nil	Rc(PT) (Standard)
G	G

② Orifice

02	Ø2
03	Ø3
04	Ø4
05	Ø5

③ Port size

01	1/8
02	1/4

④ Initial status

C	Normally closed
O	Normally open

⑤ Voltage

AC110V	AC110V 50Hz/60Hz
AC220V	AC220V 50Hz/60Hz
DC12V	DC12V
DC24V	DC24V

Specifications

Classification	Standard	Option	Classification	Standard	Option
Fluid	Chemical, Ozone, Water		Voltage	AC110V 50/60Hz AC220V 50/60Hz DC24V, 12V	
Fluid temp.	0 ~ 60°C				
Ambient temp.	50°C (Max.)				
Pressure range	Refer to the table below		Allowable voltage fluctuation	±10%(AC), ±5%(DC)	
Coil insulation	Class B		Power consumption	AC : 11W, DC : 12W	
Electrical connection	Lead wire		Body material	PTFE	
Port size	Refer to the table below		Seal material	NBR + PTFE COATING	
Orifice	Ø2, Ø3, Ø4, Ø5		Weight	0.35kg	

* Not available in explosive atmosphere.

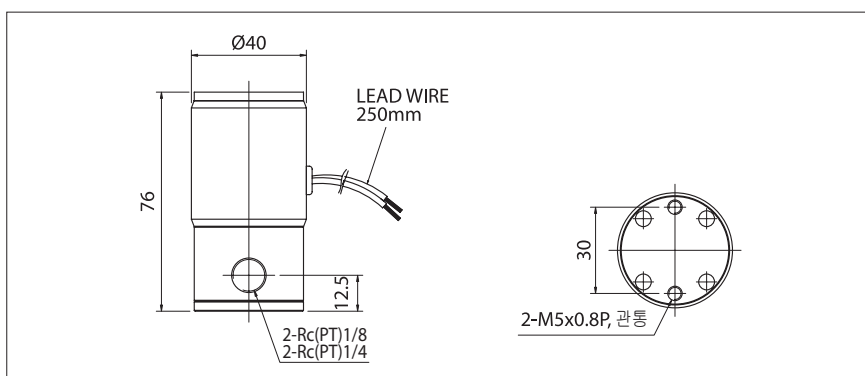
Features

- Direct acting type
- Light weight, compact size
- Teflon body, seat
- Chemical proof
- The part fluid passing through is made of Teflon.

Applications

- Chemical
- Medical instrument
- Pure water piping
- Testing machine

Dimensions

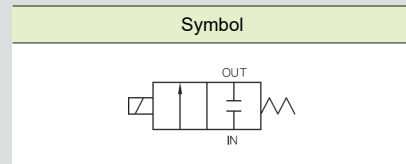


Model	Rc(PT)	Pressure (kgf/cm ²)
HTV 0201	1/8	3.0
HTV 0301	1/8	2.5
HTV 0402	1/4	1.5
HTV 0502	1/4	1.0

HTV04L2-C ~ 09L4-C series



HTV 04L2-C



How to Order

HTV 04 L 2 - C - AC220V

① ② ③ ④

① Port type

Nil	Rc(PT) (Standard)
G	G

④ Voltage

AC110V	AC110V 50Hz/60Hz
AC220V	AC220V 50Hz/60Hz
DC12V	DC12V
DC24V	DC24V

② Orifice

04	Ø4	2	1/4
05	Ø5	3	3/8
09	Ø9		
09	Ø9	4	1/2

③ Port size

Specifications

Classification	Standard	Option	Classification	Standard	Option	
Fluid	Chemical, Ozone, Water		Voltage	AC110V 50/60Hz AC220V 50/60Hz DC24V, 12V		
Fluid temp.	0 ~ 60°C			Allowable voltage fluctuation	±10%(AC), ±5%(DC)	
Ambient temp.	50°C (Max.)				Power consumption	AC : 11W, DC : 12W
Pressure range	0 ~ 3kgf/cm ² (0 ~ 0.3MPa)		Body material	PTFE		
Coil insulation	Class B		Seal material	PTFE		
Electrical connection	Lead wire		Weight	Refer to the table below		
Port size	Refer to the table below					
Orifice	Ø4, Ø5, Ø9					

※ Not available in explosive atmosphere.

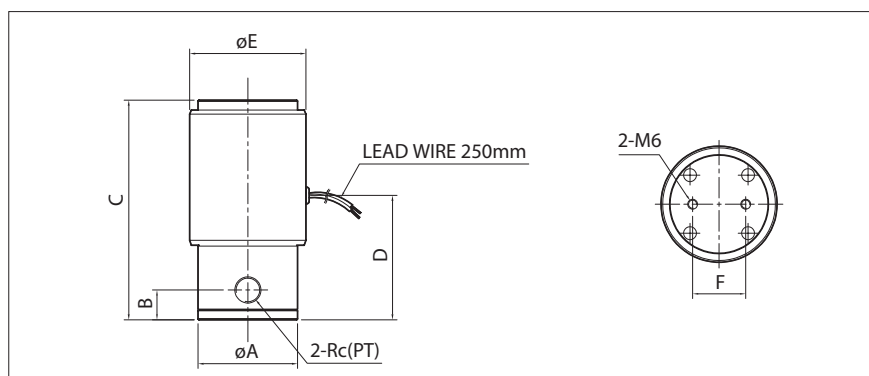
Features

- Direct acting type
- Normally closed type
- PTFE body, seat
- Chemical proof
- The part fluid passing through is made of PTFE.

Applications

- Chemical
- Medical instrument
- Pure water piping
- Testing machine

Dimensions



Model	Port size Rc(PT)	Orifice mm	Weight kg
HTV 04L2-C	1/4	4	0.5
HTV 05L3-C	3/8	5	0.5
HTV 09L3-C	3/8	9	1.8
HTV 09L4-C	1/2	9	1.8

Model	A	B	C	D	E	F
HTV 04L2-C	48	17	107	72	52	32
HTV 05L3-C	48	17	107	72	52	32
HTV 09L3-C	60	18	133	75	70	32
HTV 09L4-C	60	18	133	75	70	32