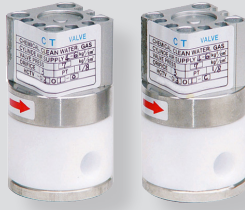
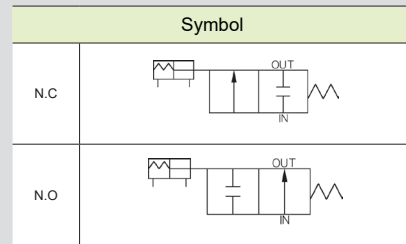


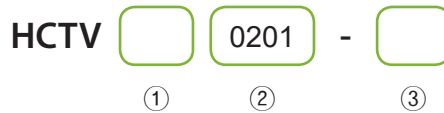
HCTV0201 ~ 0904 series



HCTV 0201-C



How to Order



① Port type

Nil	Rc(PT) (Standard)
G	G

② Orifice & Port size

	Orifice	Port size
0201	Ø2	1/8
0301	Ø3	1/8
0402	Ø4	1/4
0502	Ø5	1/4
0903	Ø9	3/8
0904	Ø9	1/2

③ Initial status

C	Normally closed
O	Normally open

Specifications

Classification	Standard	Option	Classification	Standard	Option
Fluid	Chemical, Ozone, Water		Orifice	1/8 = Ø2mm, Ø3mm 1/4 = Ø4mm, Ø5mm 3/8, 1/2 = Ø9	
Fluid temp.	0 ~ 60°C				
Ambient temp.	40°C				
Pressure range	0 ~ 5kgf/cm ² (0 ~ 0.5MPa)		Body material	PTFE	
Cylinder operating pressure	4 ~ 6kgf/cm ² (0.4 ~ 0.6MPa)		Seal material	NBR + PTFE COATING	
Port size	Rc(PT)1/8, 1/4, 3/8, 1/2		Weight	Refer to the table below	

※ Not available in explosive atmosphere.

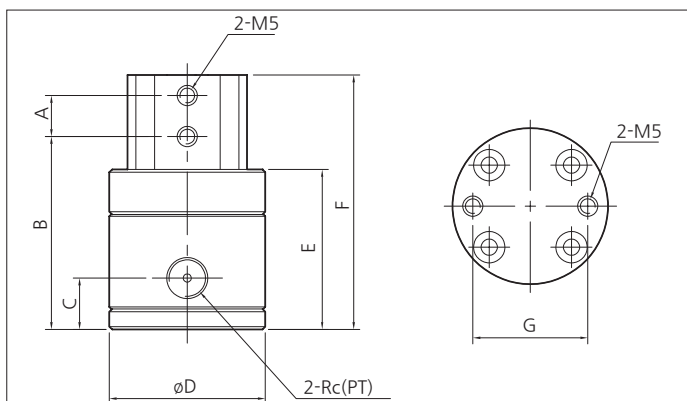
Features

- Air operated valve
- PTFE body, seat
- Light weight, compact size, chemical proof
- Spring return type (Option: Double acting)

Applications

- Chemical line
- Chemical gas line
- Pure water piping
- Medical instrument
- Ozone water piping

Dimensions



Model	A	B	C	D	E	F	G	Rc(PT)	Weight (kg)
HCTV0201-C(O)	10	47	12	Ø38	39	62	28	1/8	0.22
HCTV0301-C(O)	10	47	12	Ø38	39	62	28	1/8	0.22
HCTV0402-C(O)	10	47	12	Ø38	39	62	28	1/4	0.22
HCTV0502-C(O)	10	47	12	Ø38	39	62	28	1/4	0.22
HCTV0903-C(O)	11	67	12.5	Ø60	55.5	83.5	32	3/8	0.77
HCTV0904-C(O)	11	67	12.5	Ø60	55.5	83.5	32	1/2	0.77