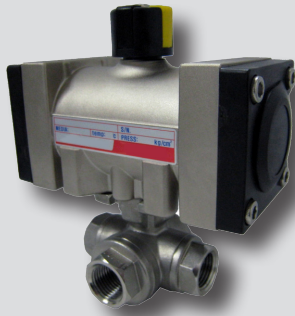




KX350-3WAY series



Features

- ISO standard type
- Lightweight and compact design
- SCS 14 Body with strong corrosion resistance
- Use of high viscosity fluids.
- Easy opening/closing identification by attaching an indicator

How to Order

KX350 - ② 02 ③ DA - ④ 3L ⑤ 08 ⑥ S - ⑦ ⑧ - ⑨ 3W

① Series

KX350	3way Pneumatic actuator ball valve
-------	------------------------------------

② Cylinder size

05	40mm
1	50mm
2	63mm
2.5	63mm

③ Actuator type

DA	Double acting
DSSR	Spring return

④ Fluid flow

3L	L port
3TA	T port
3TB	T port
3TC	T port
3TD	T port

※ Please refer to the fluid flow chart.

⑤ Valve size

08	1/4"
10	3/8"
15	1/2"
20	3/4"
25	1"
32	1 1/4"
40	1 1/2"
50	2"

⑥ Port type

S	Screw type
---	------------

⑦ Option

Nil	None
SV	Solenoid valve
SC	Speed control
LS	Limit switch
FR	Filter regulator

⑧ Ambient temperature

Nil	Standard (0~80°C)
H	High temperature (0~180°C)

⑨ Valve type

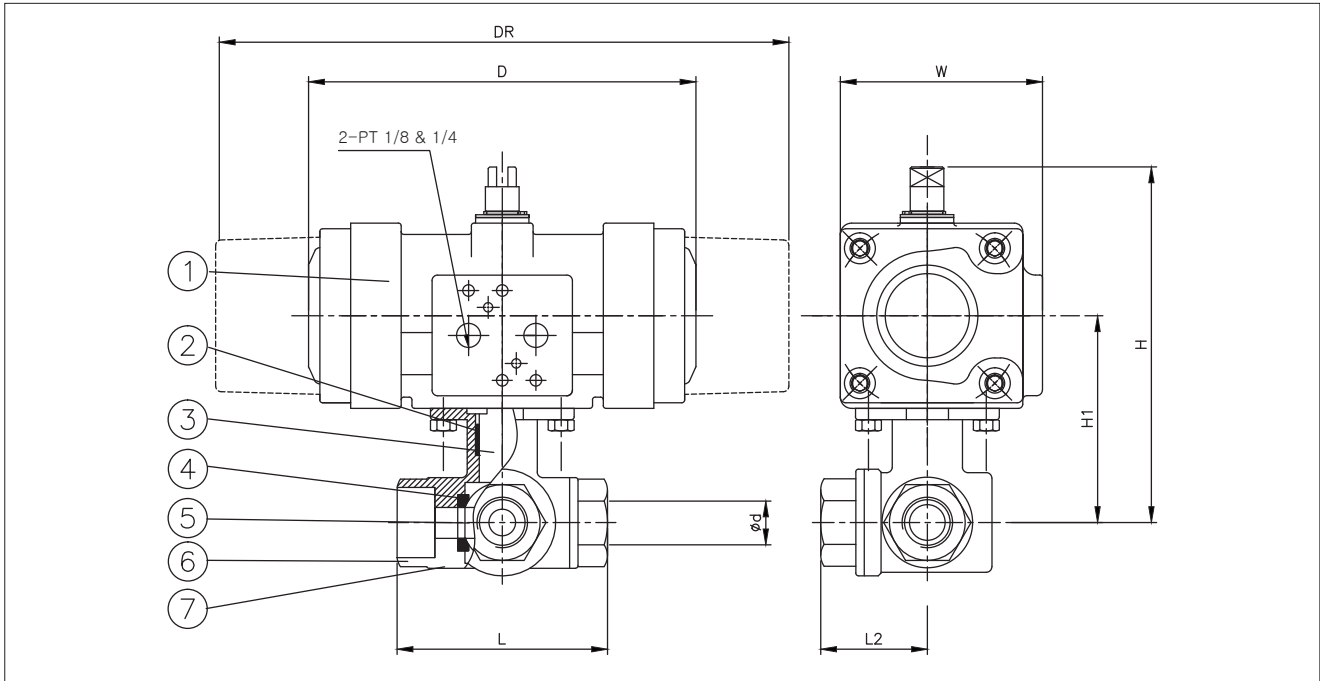
3W	3WAY
----	------

Specifications

Fluid	Water, Air, Oil, Gas, Steam
Operating pressure	4~7kgf/cm ²
Ambient temp.	0~80°C High temperature : 0~180°C
Option	Solenoid valve
	Speed control
	Limit switch
	Filter regulator



Structure & Dimensions



Part no.	Parts	Material
1	ACTUATOR	ASSEMBLY
2	O-RING	VITON
3	STEM	SUS316
4	BALL	SUS316
5	SEAT	PTFE/RTFE
6	VALVE BODY	SCS14

Unit:mm

Model	Port Size PT	φd	L	L2	D	DR	PT	H		H1		W		Weight(Kg)	
								DA (Double Acting)	DSSR (Spring Return)	DA (Double Acting)	DSSR (Spring Return)	DA (Double Acting)	DSSR (Spring Return)	DA (Double Acting)	DSSR (Spring Return)
KX350-05DA(1DSSR)-08S-3W	1/4	11	75.7	37.3	107			112		67		60		1.18	1.27
KX350-05DA(1DSSR)-10S-3W	3/8	11	75.7	37.3	107			112		67		60		1.15	1.28
KX350-05DA(1DSSR)-15S-3W	1/2	12.7	75.7	37.3	107	138		112	124	67	71	60	72	1.09	2.02
KX350-1DA(1DSSR)-20S-3W	3/4	16	86.6	44.7	138	203	1/8	131		78		72		2.04	2.47
KX350-1DA(1DSSR)-25S-3W	1	20	102.4	51.4	138	203		143		90		72		2.55	3.0
KX350-2DA(2DSSR)-32S-3W	1 1/4	25	118.2	57.7	187	251		162		102		90		4.46	5.3
KX350-2DA(2DSSR)-40S-3W	1 1/2	32	125.8	62.7	187	251		178		118		90		5.46	6.46
KX350-3DA(3DSSR)-50S-3W	2	38	149	74.6	265	427	1/4	212		140		106		9.08	11.55
KX350-2.5DA-50S-3W								※ Please contact us.							

Fluid flow chart

