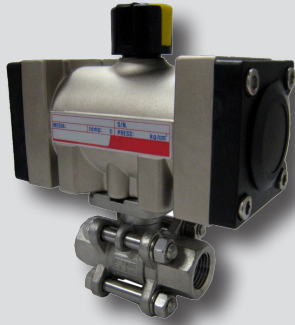


KX350-3PCS series



Features

- ISO standard type
- No pressure loss due to full bore
- 3-division ball valve for easy maintenance
- Attach antistatic device
- Easy opening/closing identification by attaching an indicator

How to Order

① KX350 - ② 05 ③ DA - ④ 08 ⑤ S - ⑥ [] ⑦ [] - ⑧ 3P

① Series

KX350	3PCS Pneumatic actuator ball valve
-------	------------------------------------

② Cylinder size

05	40mm
1	50mm
2	63mm

③ Actuator type

DA	Double acting
DSSR	Spring return

④ Valve size

08	1/4"
10	3/8"
15	1/2"
20	3/4"
25	1"
32	1 1/4"
40	1 1/2"
50	2"

⑤ Port type

S	Screw type
SW	Socket weld type

⑥ Option

Nil	None
SV	Solenoid valve
SC	Speed control
LS	Limit switch
FR	Filter regulator

⑦ Ambient temperature

Nil	Standard (0~80°C)
H	High temperature (0~180°C)

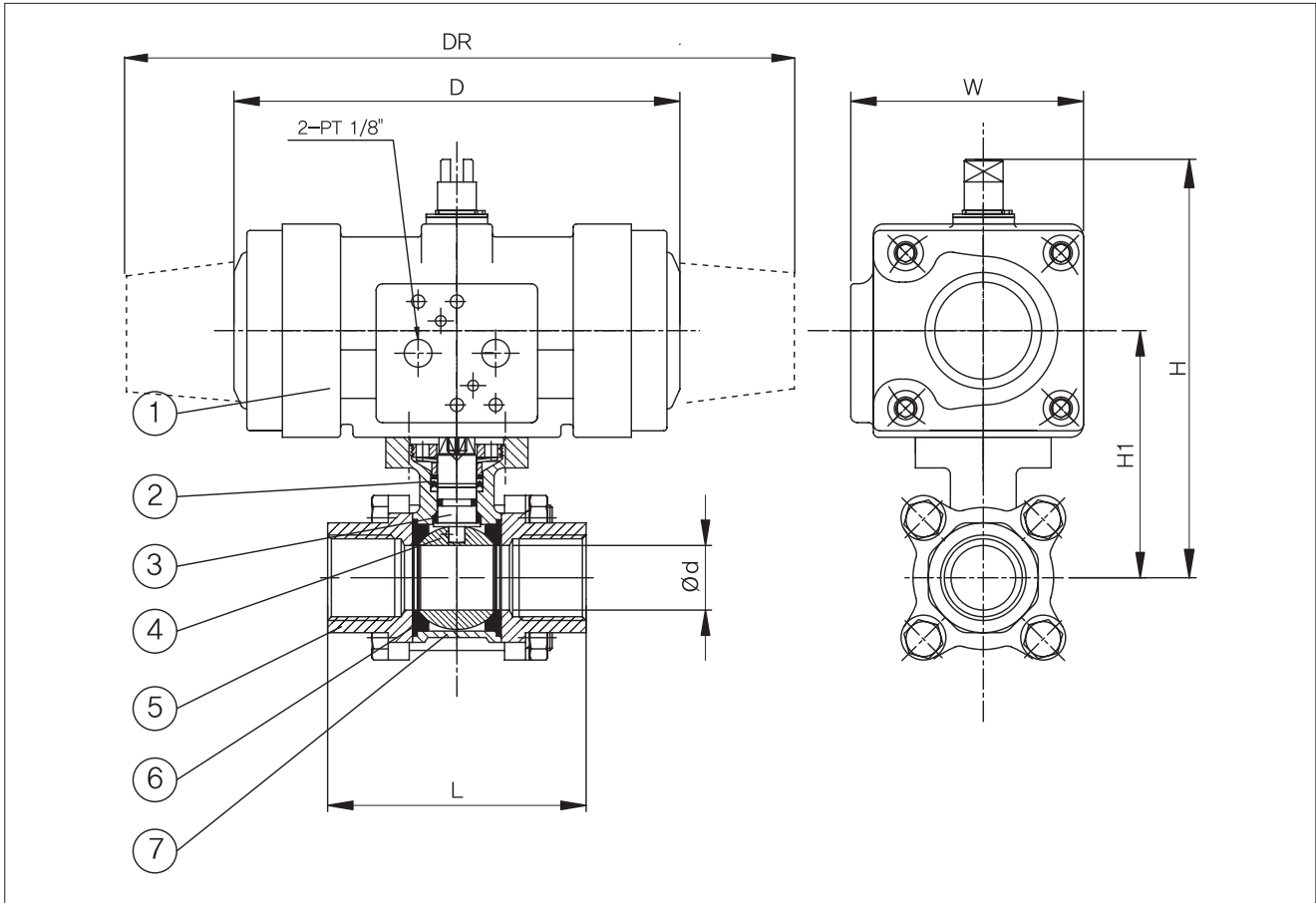
⑧ Valve type

3P	3PCS
----	------

Specifications

Fluid	Water, Air, Oil, Gas, Steam
Operating pressure	4~7kgf/cm ²
Ambient temp.	0~80°C
Option	Solenoid valve
	Speed control
	Limit switch
	Filter regulator

Structure & Dimensions



Part no.	Parts	Material
1	ACTUATOR	ASSEMBLY
2	PACKING	PTFE
3	STEM	SUS304/SUS316
4	BALL	SUS304/SUS316
5	CAP	SCS13/SCS14
6	SEAT	PTFE
7	VALVE BODY	SCS13/SCS14

Unit:mm

Model	Port Size PT	Ød	L	D	DR	W		H		H1		Weight(Kg)	
						DA (Double Acting)	DSSR (Spring Return)	DA (Double Acting)	DSSR (Spring Return)	DA (Double Acting)	DSSR (Spring Return)	DA (Double Acting)	DSSR (Spring Return)
KX350-05DA(1DSSR)-08S	1/4	11.5	63.5	107	203	60	72	111	123	65	70	1.07	2.05
KX350-05DA(1DSSR)-10S	3/8	12.5	63.5	107	203	60	72	111	123	65	70	1.08	2.07
KX350-05DA(1DSSR)-15S	1/2	15	75	107	203	60	72	111	123	65	70	1.09	2.07
KX350-1DA(1DSSR)-20S	3/4	20	80	138	203	72		130		76.5		1.71	2.21
KX350-1DA(1DSSR)-25S	1	25	90	138	203	72		139.5		86.5		2.04	2.54
KX350-2DA(2DSSR)-32S	1.25	32	110	187	251	90		159		99		3.55	4.52
KX350-2DA(2DSSR)-40S	1.5	38	120	187	251	90		166		106		4.32	5.36
KX350-2DA(2DSSR)-50S	2	50	140	187	251	90		175		115		6	6.58