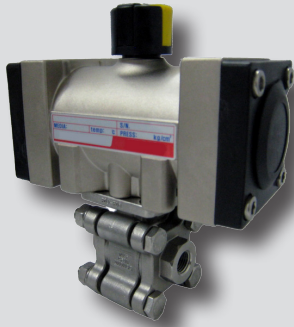




KX350-3PCS series



Features

- ISO standard type
- No pressure loss due to full bore
- 3-division ball valve for easy maintenance
- High pressure 70~140kg/cm², high viscosity fluid can be used
- Easy opening/closing identification by attaching an indicator

How to Order

KX350 - ② 02 ③ DA - ④ 08 ⑤ S - ⑥ ⑦ - ⑧ 3P-V355

① Series

KX350	3PCS High pressure Pneumatic actuator ball valve
-------	---

② Cylinder size

1	50mm
2	63mm

③ Actuator type

DA	Double Acting
----	---------------

④ Valve size

08	1/4"
10	3/8"
15	1/2"
20	3/4"
25	1"
32	1 1/4"
40	1 1/2"
50	2"

⑤ Port type

S	Screw type
---	------------

⑥ Option

Nil	None
SV	Solenoid valve
SC	Speed control
LS	Limit switch
FR	Filter regulator

⑦ Ambient temperature

Nil	Standard (0~80°C)
H	High temperature (0~180°C)

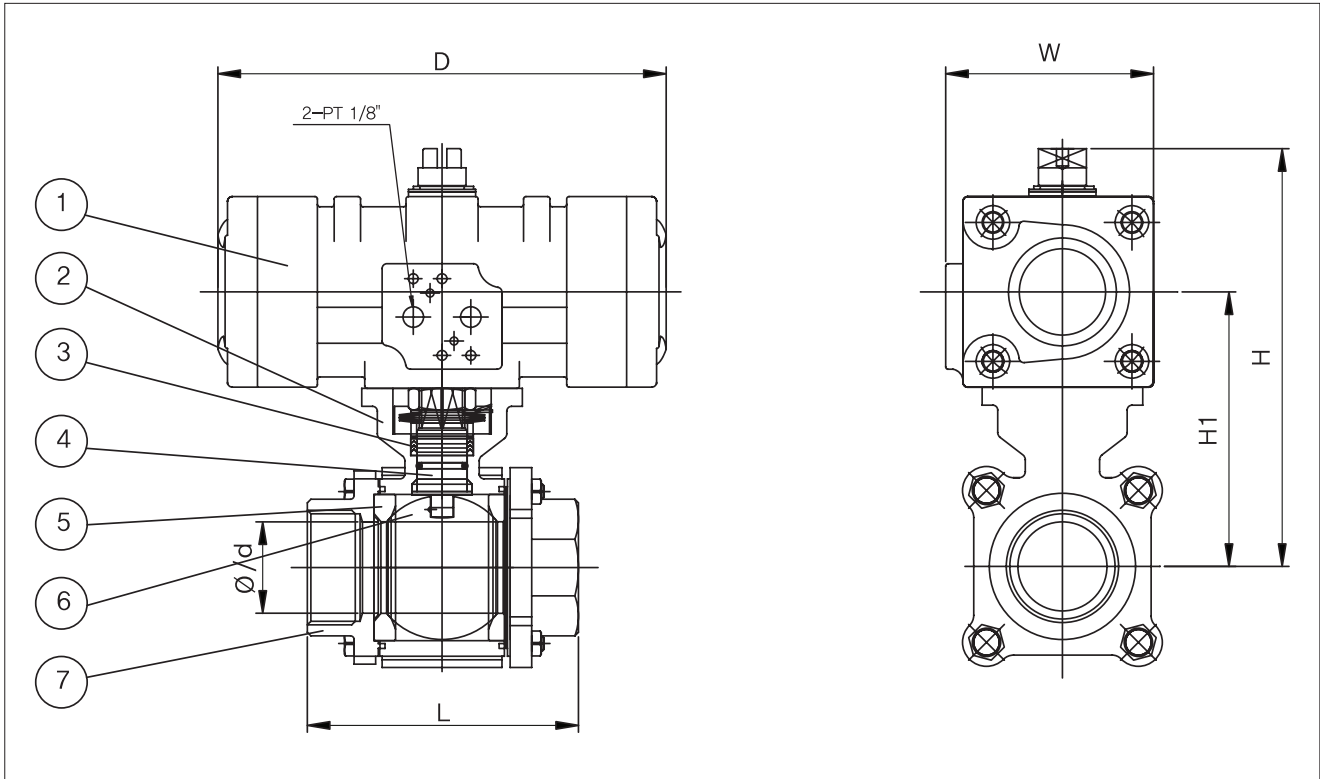
⑧ Valve type

3P-V355	3PCS High pressure
---------	--------------------

Specifications

Fluid	Water, Air, Oil, Gas, Steam
Operating pressure	4~7kgf/cm ²
Ambient temp.	0~80°C
Option	Solenoid valve
	Speed control
	Limit switch
	Filter regulator

Structure & Dimensions



Part no.	Parts	Material
1	ACTUATOR	ASSEMBLY
2	VALVE BODY	SUS14
3	PACKING	PTFE
4	STEM	SUS316
5	SEAT	PTFE
6	BALL	SUS316
7	CAP	SCS14

Unit:mm

Model	Port Size PT	Max. pressure	φd	L	H	H1	D	W	3PCS	Weight(kg)
KX350-1DA-08S-V355	1/4	140kgf/cm ²	11.5	56.1	123	70	138	72	9	1.7
KX350-1DA-10S-V355	3/8		12.5	56.1	123	70	138	72		1.72
KX350-1DA-15S-V355	1/2		15	68	123	70	138	72		1.74
KX350-1DA-20S-V355	3/4		20	76.1	131	78	138	72		2
KX350-1DA-25S-V355	1		25	84.6	140	87	138	72		2.36
KX350-2DA-32S-V355	1 1/4	70kgf/cm ²	32	98.1	159	99	187	90	14	4.25
KX350-2DA-40S-V355	1 1/2		38	111.2	175	115	187	90		5.19
KX350-2DA-50S-V355	2		50	126.7	183	123	187	90		6.89