

KX350-BF series



Features

- ISO standard type.
- No other accessories are required when connecting to an actuator.
- Basic material Ferrum Casting.
- SUS material and seat can be applied depending on fluid, temperature and pressure.
- Easy to identify open/closed by attaching indicator.

How to Order

KX350 - 1 DA - 40 BF - SV
 ① ② ③ ④ ⑤ ⑥

① Series

KX350	Butterfly valve
-------	-----------------

② Cylinder size

1	50mm
2	63mm
3	85mm

③ Actuator type

DA	Double acting
DSSR	Spring return

④ Valve size

40	1 1/2
50	2
65	2 1/2
80	3
100	4

※ Please contact us for sizes 125~250.

⑤ Port type

BF	Butterfly type
----	----------------

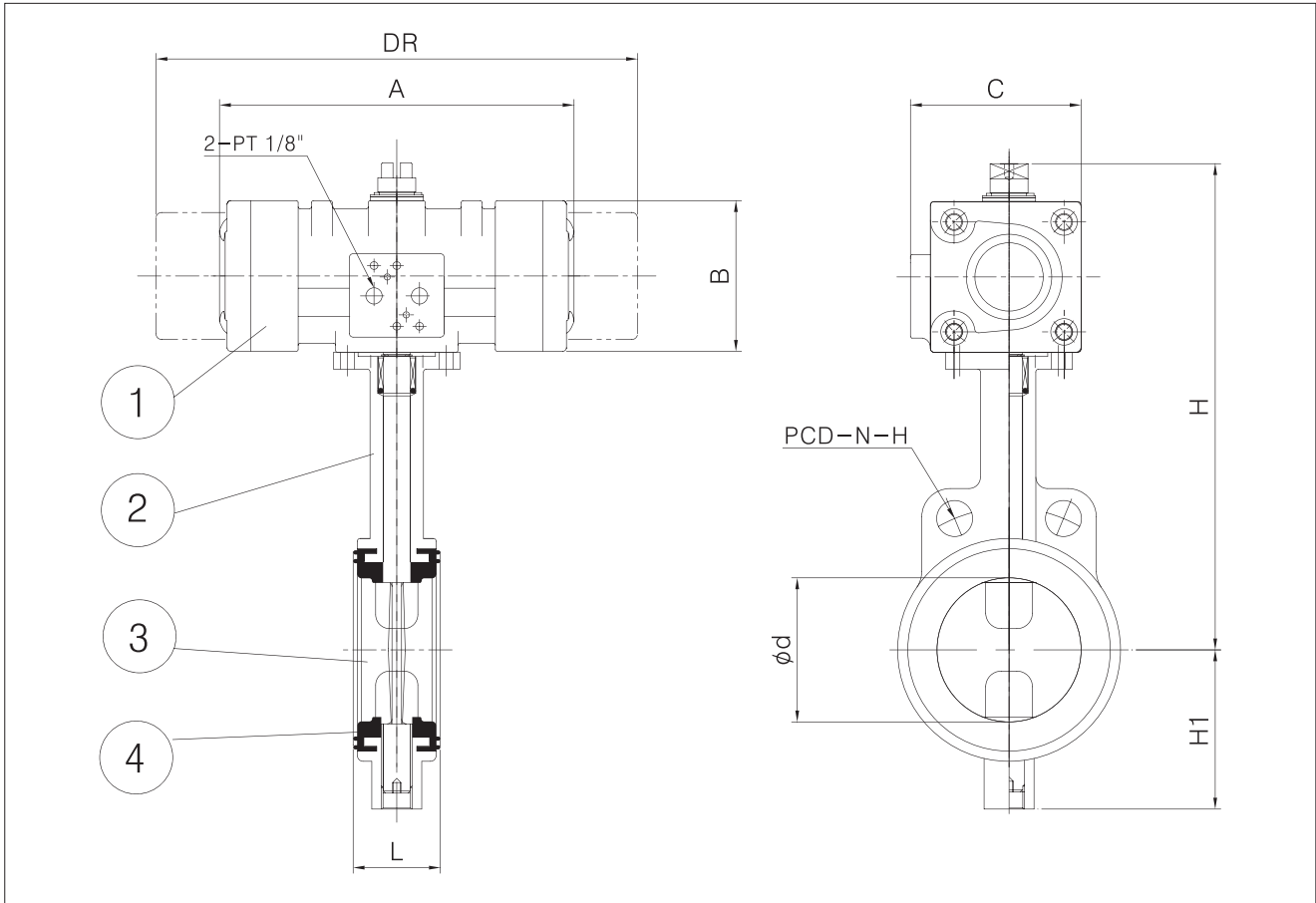
⑥ Option

Nil	None
SV	Solenoid valve
SC	Speed control
LS	Limit switch
FR	Filter regulator

Specifications

Fluid	Water, Air, Oil, Gas, Steam
Operating pressure	4~7kgf/cm ²
Ambient temp.	0~50℃
Option	Solenoid valve(AC110V,AC220V,DC24V)
	Speed control
	Limit switch
	Filter regulator

Structure & Dimensions



Part no.	Parts	Material
1	ACTUATOR	ASSEMBLY
2	VALVE BODY	FC200
3	DISC	SCS13
4	SEAT	EPDM/NBR

Unit:mm

Model	Port Size		φd	A	DR	B		C		L	H		H1	PCD-N-φH	Weight(Kg)	
	Size(in)	Type				DA (Double Acting)	DSSR (Spring Return)	DA (Double Acting)	DSSR (Spring Return)		DA (Double Acting)	DSSR (Spring Return)			DA (Double Acting)	DSSR (Spring Return)
KX350-1DA(1DSSR)-40BF	1 1/2	WAFER KS10K RF	36	138	203	66		72		40	206		57	105-2-15	2.74	3.1
KX350-1DA(2DSSR)-50BF	2		52	138	203	66	79.5	90		43	225		70	120-2-19	3.52	3.74
KX350-2DA(2DSSR)-65BF	2 1/2		64	187	251	79.5		90		46	235		75	140-2-19	4.59	5.78
KX350-2DA(2DSSR)-80BF	3		78	187	427	79.5		90		46	250		90	150-2-19	5.28	9.37
KX350-2DA(3DSSR)-100BF	4		101	187	427	79.5	105	90	106	52	270	295	105	175-2-19	6.36	10
KX350-3DA(4DSSR)-125BF	5		125	265	-	105		102		56	310		120	210-2-23	9.5	-
KX350-3DA(4DSSR)-150BF	6		148	265	-	105		102		56	325		135	240-2-23	10.9	-
KX350-4DA-200BF	8		198	290	-	124		120		60	374		168	290-4-23	19.47	-
KX350-4DA-250BF	10		248	290	-	124		120		68	414		203	355-4-25	26.44	-