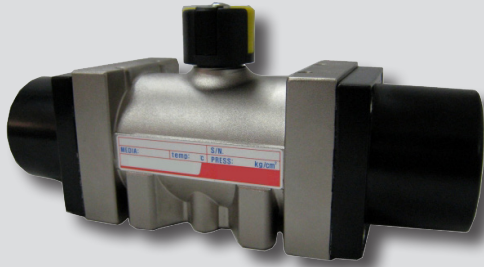


KX350 series



Features

- Rack & Pinion method suitable for stable output torque and high speed operation
- Light and compact design
- When attaching valve, use NAMUR type
- Direct installation type (ISO standard)
- Lightweight with die-casting product
- Easy identification of OPEN and CLOSE by attaching an indicator

How to Order

KX350 - 02 DA

① ② ③ ④

① Series

KX350	Pneumatic actuator
-------	--------------------

② Cylinder size

02	32mm
03	32mm
05	40mm
1	50mm
2	63mm
3	85mm
4	100mm

③ Actuator type

DA	Double acting
DSSR	Spring return

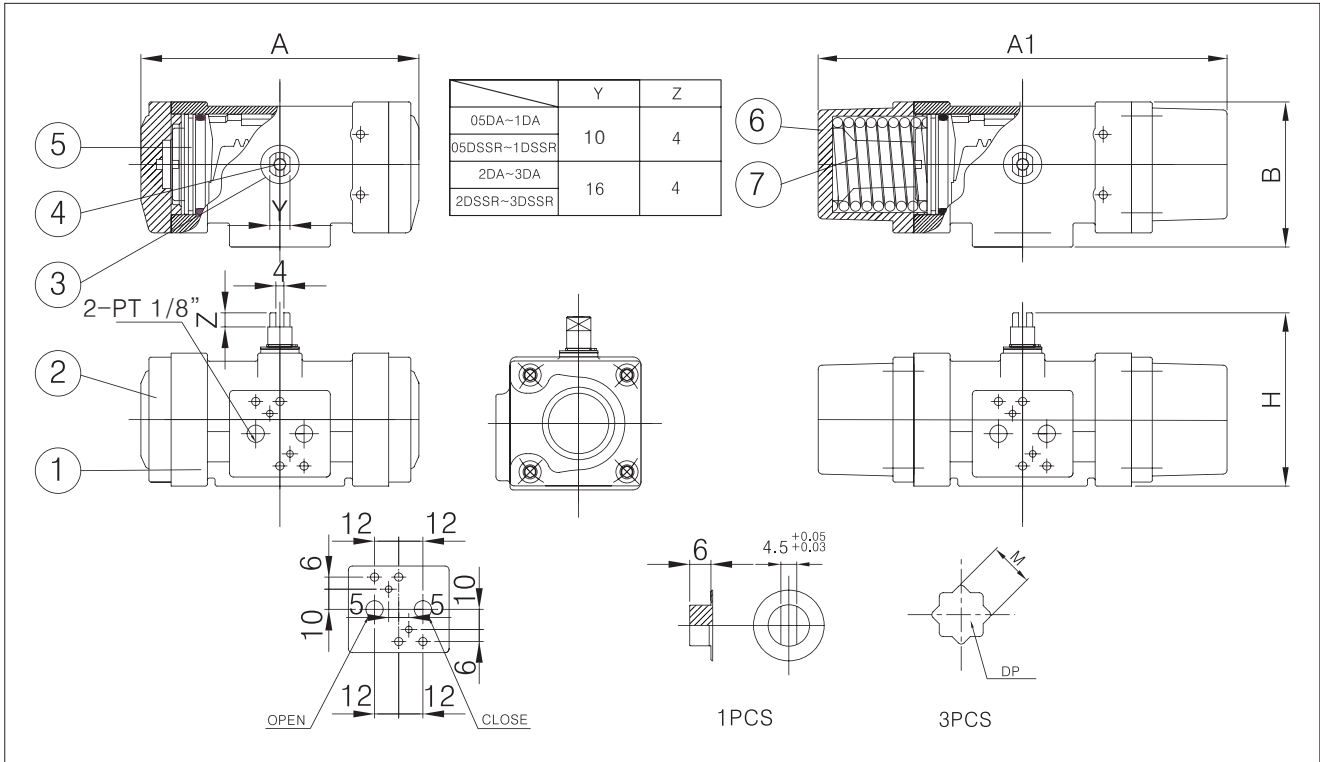
④ Option

Nil	None
SV	Solenoid valve
SC	Speed control
LS	Limit switch
FR	Filter regulator

Specifications

Fluid	Air
Operating pressure	4~7kgf/cm ²
Rotation angle	0~90°
Ambient temp.	0~80℃
Option	Solenoid valve
	Speed control
	Limit switch
	Filter regulator

Structure & Dimensions



Part no.	Parts	Material
1	BODY	ADC12
2	COVER	PLASTIC/ADC12
3	WASHER	ACETAL&SUS
4	STEM	S45S
5	RACK PISTON	ADC12
6	SPRING TUPE	ADC12
7	SPRING	SWPA

Unit:mm

Model	Dimension										Weight	
	A	B	A1	H	DP	Valve Connect Tap Size					DA	DSSR
						ISO5211		1PCS		3PCS(M)		
KX350-02DA	85.6	55	-	64.5	-	F04:Ø42	4-M5	PCD38	2-M6	-	0.35	-
KX350-03DA	99	55	-	64.5	-	F04:Ø42	4-M5	PCD38	2-M6	-	0.41	-
KX350-05DA&DSSR	107	60	-	73.7	12	F04:Ø42	4-M5	PCD38	2-M6	□9	0.52	0.66
KX350-1DA&DSSR	138	72	203	86	12/13	F05,F07:Ø50,70	4-M6,8	PCD38	2-M6	□9 / □11	0.96	1.48
KX350-2DA&DSSR	187	90	251	100	13/16	F05,F07:Ø50,70	4-M6,8	-	-	□11 / □14	2.03	2.96
KX350-3DA&DSSR	265	106	421	125	16/20	F05,F07:Ø50,70,114	4-M6,8,10	-	-	□14 / □17	3.38	5.85
KX350-4DA&DSSR	290	120	455	144	16/20	F07,F10:Ø70,102,127	4-M8,10,12	-	-	□14 / □17	8.22	12.02