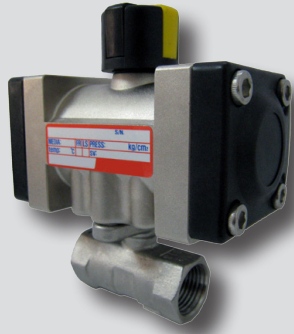




# KX350-1PCS series



### Features

- ISO standard type
- Lightweight and compact design
- SCS14 Body with strong corrosion resistance
- Easy disassembly and assembly during piping and maintenance
- Ball valve stem hole polishing
- Easy opening/closing identification by attaching an indicator

### How to Order

KX350 - ② 02 ③ DA - ④ 08 ⑤ S - ⑥ ⑦ - ⑧ 1P

#### ① Series

KX350	1PCS Pneumatic actuator ball valve
-------	------------------------------------

#### ② Cylinder size

02	32mm
03	32mm
05	40mm
1	50mm

#### ③ Actuator type

DA	Double Acting
DSSR	Spring Return

#### ④ Valve size

08	1/4"
10	3/8"
15	1/2"
20	3/4"
25	1"
32	1 1/4"
40	1 1/2"
50	2"

#### ⑤ Port type

S	Screw type
---	------------

#### ⑥ Option

Nil	None
SV	Solenoid valve
SC	Speed control
LS	Limit switch
FR	Filter regulator

#### ⑦ Ambient temperature

Nil	Standard (0~80°C)
H	High temperature (0~180°C)

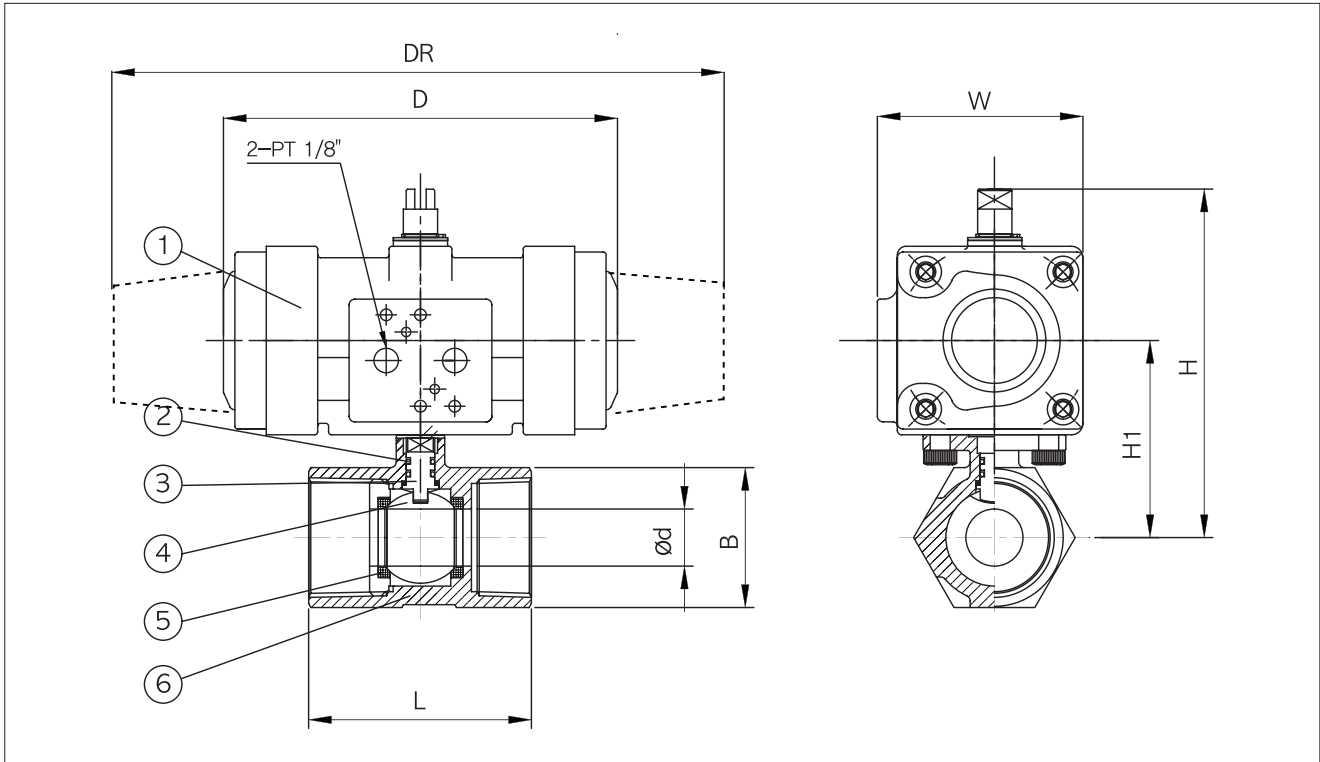
#### ⑧ Valve type

1P	1PCS
----	------

### Specifications

Fluid	Water, Air, Oil, Gas, Steam
Operating pressure	4~7kgf/cm <sup>2</sup>
Ambient temp.	0~80°C
Option	Solenoid valve
	Speed control
	Limit switch
	Filter regulator

**Structure & Dimensions**



Part no.	Parts	Material
1	ACTUATOR	ASSEMBLY
2	O-RING	VITON
3	STEM	SUS316
4	BALL	SUS316
5	SEAT	PTFE
6	VALVE BODY	SCS14

Unit:mm

Model	Port Size PT	$\phi d$	L	D	DR	B	W		H		H1		Weight(Kg)	
							DA (Double Acting)	DSSR (Spring Return)	DA (Double Acting)	DSSR (Spring Return)	DA (Double Acting)	DSSR (Spring Return)	DA (Double Acting)	DSSR (Spring Return)
KX350-02DA(05DSSR)-08S	1/4	5	39	85.6	107	17	55	60	90.5	100	49	54	0.43	0.76
KX350-02DA(05DSSR)-10S	3/8	7.2	44	85.6	107	19	55	60	91.5	101	50	55	0.46	0.76
KX350-02DA(05DSSR)-15S	1/2	9.2	57	85.6	107	25	55	60	91	100	49	55	0.51	0.82
KX350-03DA(05DSSR)-20S	3/4	12.5	59	99	107	32	55	60	93	102	51	57	0.67	0.92
KX350-05DA(05DSSR)-25S	1	15	71	107	107	38	60		106		61		0.92	1.04
KX350-1DA(1DSSR)-32S	1 1/4	20	78	138	203	49	72		122		69		1.65	2.51
KX350-1DA(1DSSR)-40S	1 1/2	25	83	138	203	53	72		127.5		75		1.76	2.23
KX350-1DA(1DSSR)-50S	2	32	100	138	203	64	72		133		80.5		2.26	2.72