

3ZN

Centric gripper



Wedge type, 3-jaw centric gripper

Improved stability with longer gripping point between jaw & plunger

Improved function, stiffness and outer look

Made with flexible mounting

Sensor is applicable

Specifications

	Unit	3ZN-30	3ZN-42	3ZN-55	3ZN-70
Port	Rc(PT), G, NPT	M5	M5	M5	1/8"
Stroke	mm	3 ~ 4	3 ~ 6	3 ~ 8	3 ~ 10
Fluid		Compressed air			
Air Consumption	cc/cycle	6.7	19.7	43.9	102.3
Max. Gripping Point	mm	46	56	72	90
Repeat Accuracy	mm	0.01		0.015	
Frequency	Cycle/min	60	60	50	40
Pusher Force	kg	1.9 ~ 2.4	2 ~ 3.2	2.3 ~ 4.6	6.4 ~ 9.6
Operating Pressure	MPa	0.2 ~ 0.8			
Ambient Temperature	°C	0 ~ 60			
Weight (Standard)	kg	0.19	0.39	0.7	1.27

How to order

3ZN	-		30	S		-						-		-	
1		2	3	4	5		6	7	8	9	10		11		12

1. Model

: Centric gripper with 3 jaws

2. Port thread

: Rc(PT)

: G

: NPT

3. Port size

: Ø30

: Ø42

: Ø55

: Ø75

4. Type

: Standard

: With supporter ^{*1}

5. Optional air port

: Standard

: Additional port on base side

6. Sensor

: Without sensor

: Sensor with mount

: Mount only(without sensor)

7. Sensor body length

: 18mm

: 30mm

8. Sensor type

: NPN

: PNP

9. Sensor wire length

: 2m

: 3m

: 5m

10. Sensing part

: Adjustable type

: Manual fixed type

11. Quantity of sensor parts

: 2set

: 1set

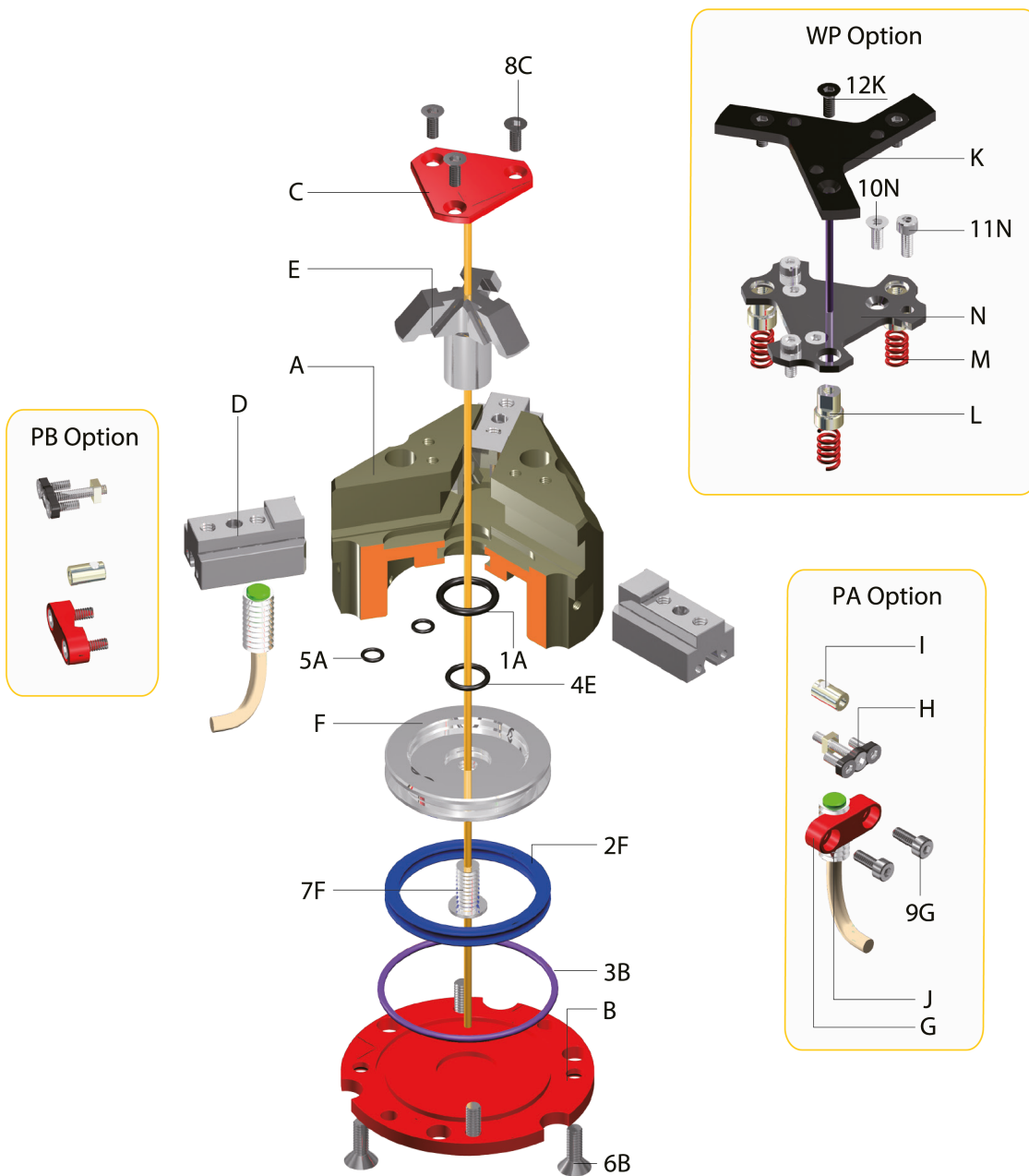
12. Special option

: Work pusher

Remarks

1. Supporter prevent the finger to stuck during operation

Structure



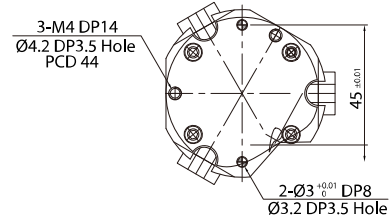
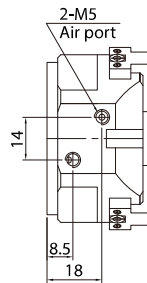
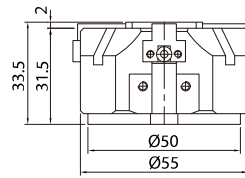
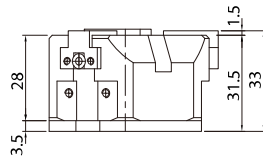
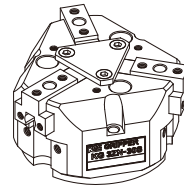
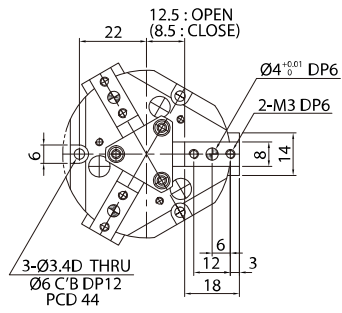
Parts

No	Parts	Material	Remark
A	Body	Aluminium Alloy	
B	Base Cover	Aluminium Alloy	
C	Dust Cover	Aluminium Alloy	
D	Jaw	Carbon Steel	
E	Plunger	Steel Alloy	
F	Piston	Aluminium Alloy	
G	Sensor Bracket	Aluminium Alloy	Option PA(B)
H	Adjustable Sensing Set	Optional	Option PA(B)
I	Manual sensing Set	Optional	Option PA(B)
J	Auto Switch	M8x16(30)	Option PA
K	Push Plate	Steel Alloy	Option WP
L	Push Rod	Stainless Steel	Option WP
M	Spring	Stainless Steel	Option WP
N	Dust Cover	Stainless Steel	Option WP

No	Parts	Material	3ZN-30	3ZN-42	3ZN-55	3ZN-75	Remark
1A	Rod O-Ring	NBR	P-10	P-12	P-16	P-20	
2F	Piston Packing	NBR	Q-4213	Q-4220	Q-4327	Q-4333	
3B	Sealing O-Ring	NBR	S-30	S-42	S-55	S-75	
4E	Piston O-Ring	NBR	-	-	-	S-12	
5A	Joint O-Ring	NBR	S-03	S-04	S-04	S-04	
6C	Fastner	Stainless Steel	-	-	-	-	
7F	Fastner	Stainless Steel	-	-	-	-	
8C	Fastner	Stainless Steel	-	-	-	-	
9G	Fastner	Stainless Steel	-	-	-	-	Option PA(B)
10N, 11N, 12K	Fastner	Stainless Steel	-	-	-	-	Option WP

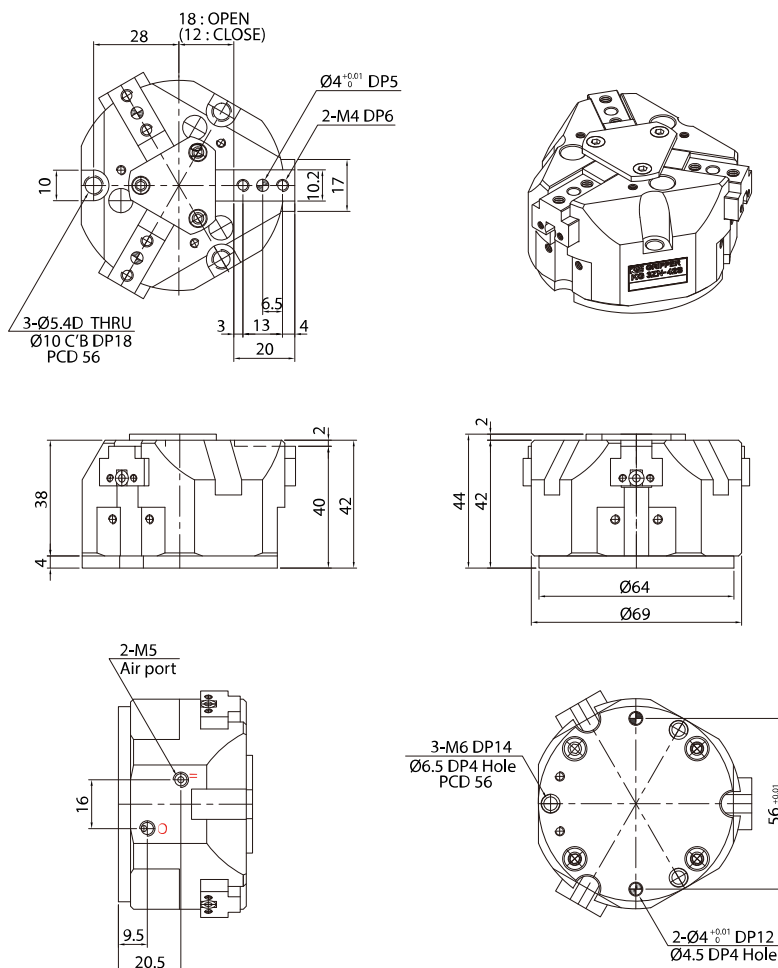
Dimensions

3ZN-30S



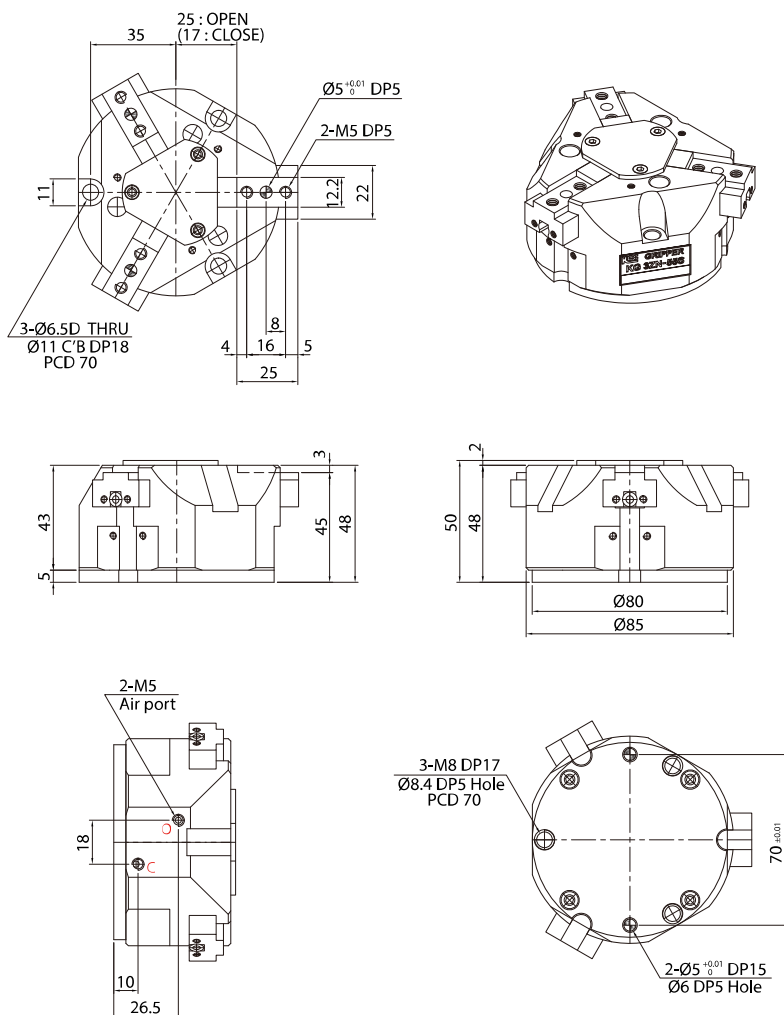
Dimensions

3ZN-42S



Dimensions

3ZN-55S



Dimensions

3ZN-75S

