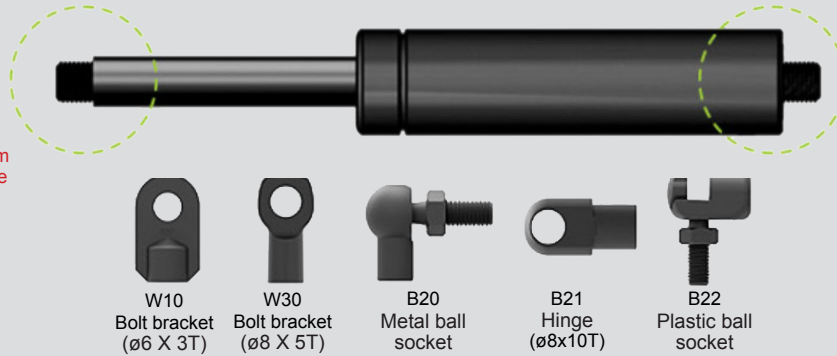


# KBG series

End fitting changed from welding type to bolt type



## How to Order

KBG - B20 18   -  

①                    ②                    ③                    ④

### ① End fitting type

W10	Bolt bracket (ø6 X 3T)
W30	Bolt bracket (ø8 X 5T)
B20	Metal ball socket
B21	Hinge (ø8X10T)
B22	Plastic ball socket

### ② Cylinder outer diameter

15	ø15
18	ø18
22	ø22
27.4	ø27.4

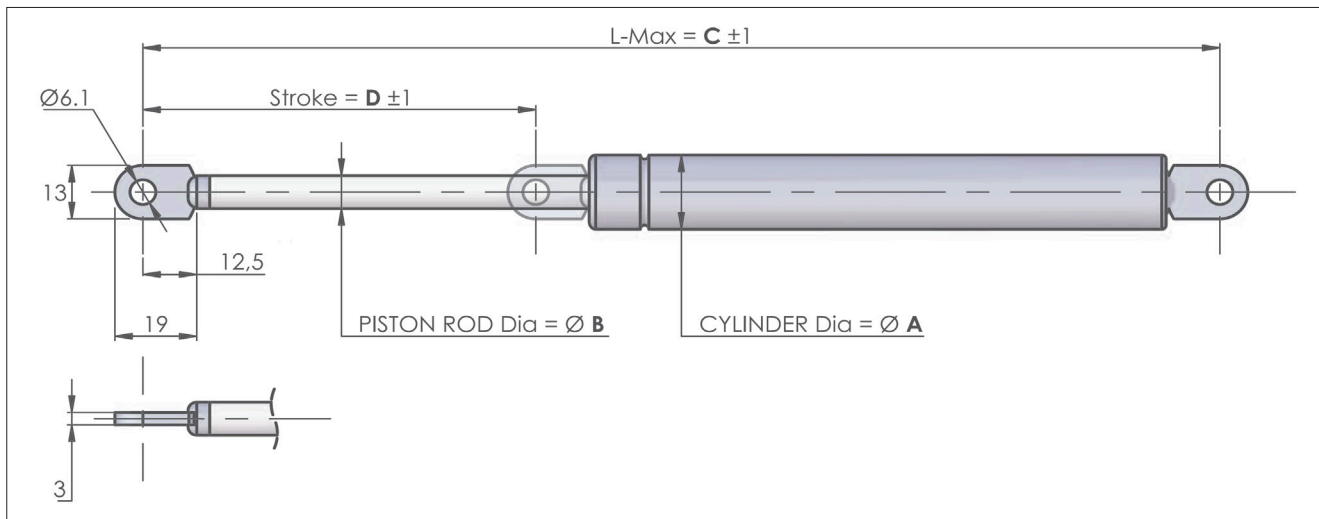
### ③ Max. length

Refer to specifications according to end fitting

### ④ Force

Refer to specifications according to end fitting

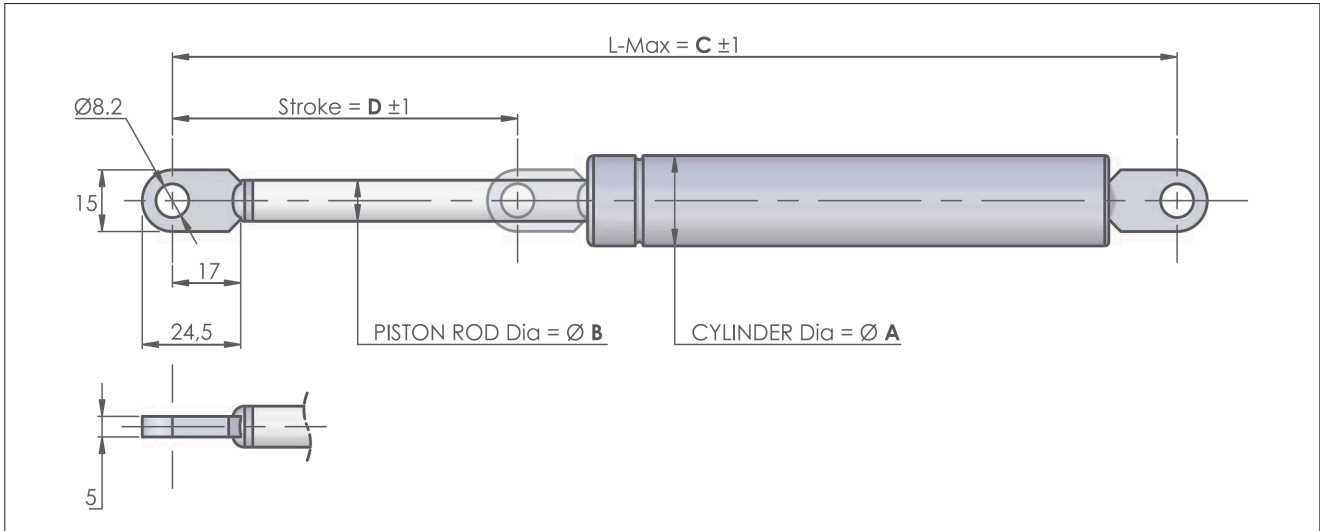
## Dimensions-W10 (Bolt Bracket(Ø6×3T))



Unit:mm

Cylinder dia. ØA	Piston rod dia. ØB	L-Max (C)	Stroke (D)	Force kgf	Calculation method
Ø15	Ø6	160~500	52~222	3~30	Max. length = (Stroke+28) X2~500 Stroke = 52~Max. length/2-28
Ø18	Ø8	160~800	46~366	5~30	Max. length = (Stroke+34) X2~800 Stroke = 46~Max. length/2-34

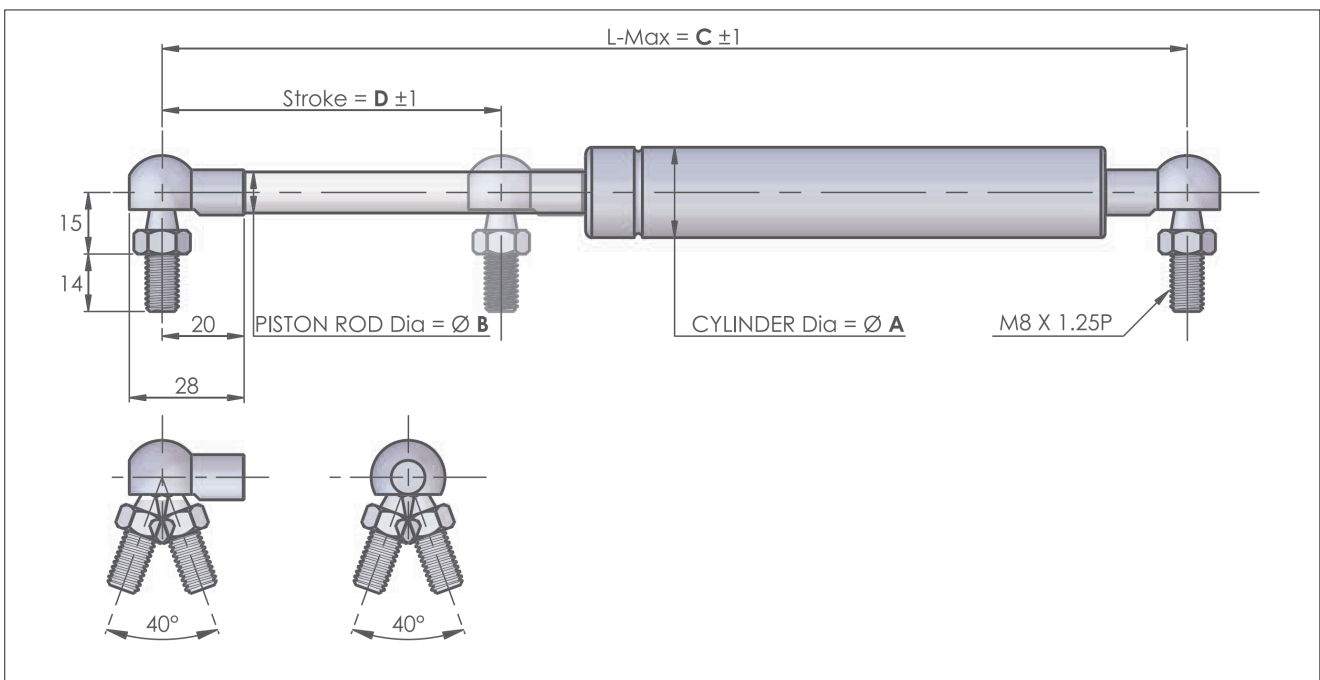
**Dimensions-W30 (Bolt Bracket(Ø8×5T))**



Unit:mm

Cylinder dia. ØA	Piston rod dia. ØB	L-Max (C)	Stroke (D)	Force kgf	Calculation method
ø18	ø8	180~800	51~361	5~50	Max. length = (Stroke+39) X2~800 Stroke = 51~Max. length/2-39
ø22	ø10			10~80	
ø27.4	ø12.5			10~100	

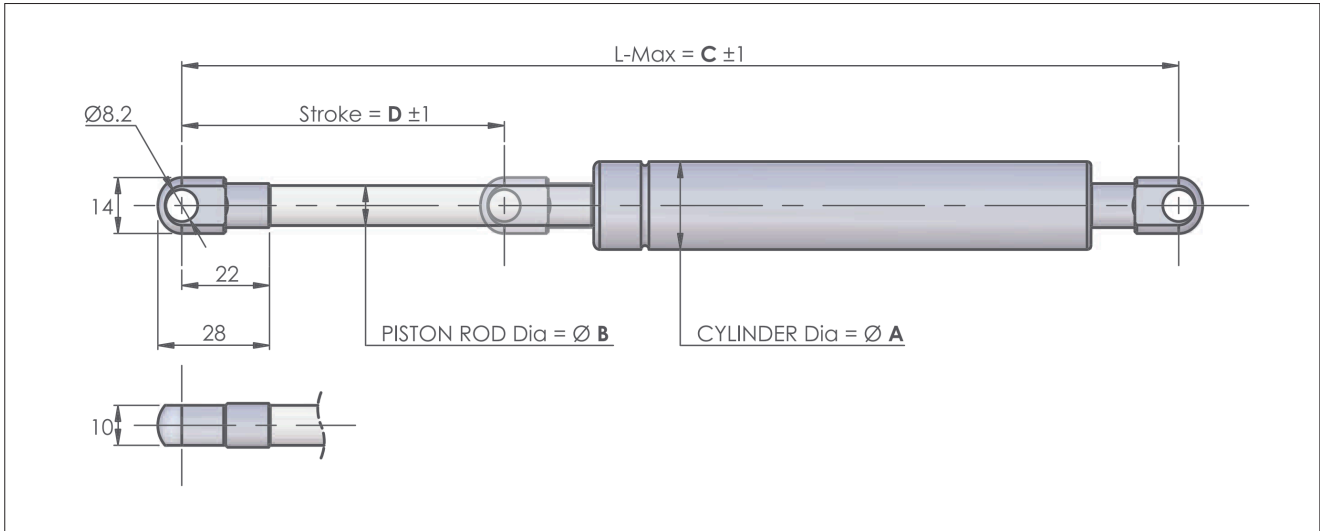
**Dimensions-B20 (Metal Ball Socket)**



Unit:mm

Cylinder dia. ØA	Piston rod dia. ØB	L-Max (C)	Stroke (D)	Force kgf	Calculation method
ø18	ø8	180~800	48~358	5~50	Max. length = (Stroke+40) X2~800 Stroke = 48~Max. length/2-42
ø22	ø10			10~100	
ø27.4	ø12.5			10~120	

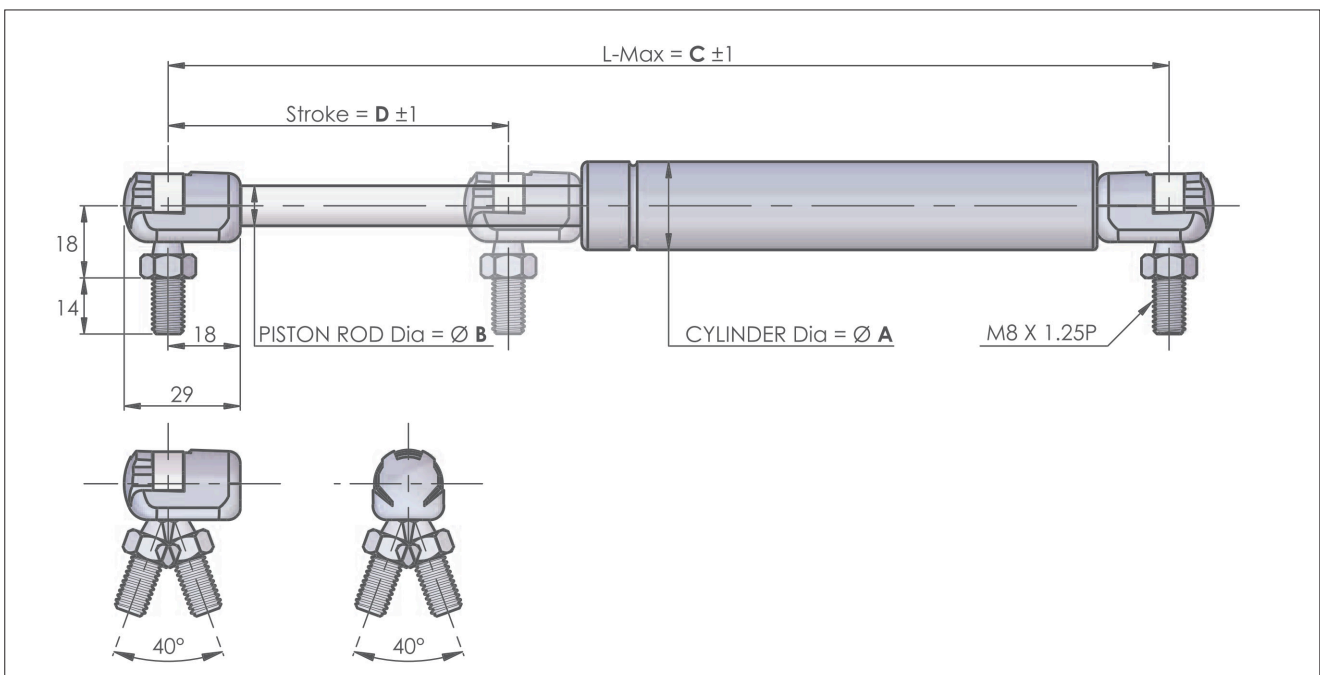
**Dimensions-B21 (Hinge (Ø8×10T))**



Unit:mm

Cylinder dia. ØA	Piston rod dia. ØB	L-Max (C)	Stroke (D)	Force kgf	Calculation method
ø18	ø8	180~800	46~356	5~50	Max. length = (Stroke+44) X2~800 Stroke = 46~Max. length/2-44
ø22	ø10			10~100	
ø27.4	ø12.5			10~120	

**Dimensions-B22 (Plastic Ball Socket)**



Unit:mm

Cylinder dia. ØA	Piston rod dia. ØB	L-Max (C)	Stroke (D)	Force kgf	Calculation method
ø18	ø8	180~800	50~360	5~50	Max. length = (Stroke+40) X2~800 Stroke = 50~Max. length/2-40
ø22	ø10			10~80	
ø27.4	ø12.5			10~80	