

DSB3 series



Features

- No spring
- Horizontal port direction
- Female thread mounting

Symbol



How to Order

DSB3 - 10 R -

① ② ③ ④

① Pad diameter

Refer to dimension 'A' in dimension table

③ Material

R	NBR
S	Silicon
V	Viton
U	Urethane

※ Consult KCC for V, U type.

② Pad type

Nil	Basic
B	Bellows
F	Flat
E	Elliptical

④ Special option

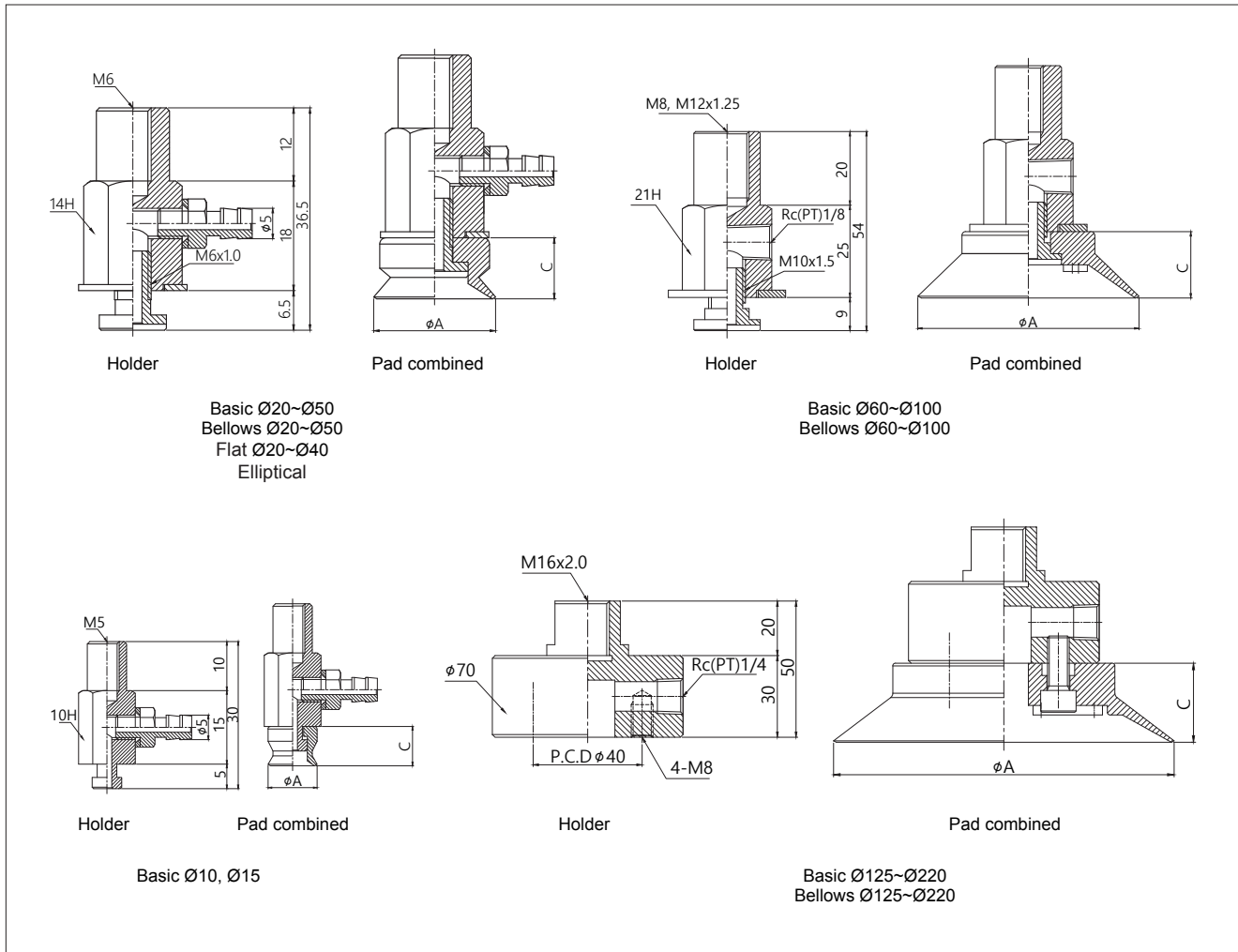
Nil	Standard
CS,CST	Mark free type
ASE	Static electricity free type
HTS	High temperature resistant type

※ CS, CST : With special pad coating, it prevents pad from leaving suction mark on workpiece surface (Ex. Glass or LCD surface).

※ Consult KCC for special type pad.

※ Special type has M.O.Q.

Dimensions



Unit:mm

Pad type		10	15	20	25	30	40	50	60	80	100	125	160	220	20*50	30*60
Basic	A	10	15	20	25	30	40	50	60	80	100	125	160	220	-	-
	C	8	9	10	11	12	14	15	18	20	21	29	31	35	-	-
Bellows	A	-	-	20	25	30	40	50	60	80	100	125	160	220	-	-
	C	-	-	18	20	22	25	28	28	33	37	70	75	80	-	-
Flat	A	-	-	20	25	30	40	-	-	-	-	-	-	-	-	-
	C	-	-	11.5	11.5	13	13	-	-	-	-	-	-	-	-	-
Elliptical	A	-	-	-	-	-	-	-	-	-	-	-	-	-	20x50	30x60
	C	-	-	-	-	-	-	-	-	-	-	-	-	-	13	13